



US00D910596S

(12) **United States Design Patent**  
**Shen**

(10) **Patent No.:** **US D910,596 S**

(45) **Date of Patent:** **\*\* Feb. 16, 2021**

- (54) **HEADSET**
- (71) Applicant: **Fuhua Shen**, Shenzhen (CN)
- (72) Inventor: **Fuhua Shen**, Shenzhen (CN)
- (\*\*) Term: **15 Years**
- (21) Appl. No.: **29/744,751**
- (22) Filed: **Jul. 31, 2020**
- (51) **LOC (13) Cl.** ..... **14-01**
- (52) **U.S. Cl.**  
USPC ..... **D14/206; D14/226**
- (58) **Field of Classification Search**  
USPC ..... D14/206, 226, 205, 225, 188, 192, 372;  
D29/112; 2/209; 381/380, 381, 370,  
381/371, 374; 455/90.3, 575.1, 569.1;  
D23/383, 370  
CPC .... H04R 25/00; H04R 1/1066; H04R 1/1016;  
H04R 5/033; H04R 5/0335; H04R  
1/1091; H04R 1/1058; H04R 1/1083;  
H04R 19/04; H04R 11/04  
See application file for complete search history.

- 5,793,878 A \* 8/1998 Chang ..... H04R 5/0335  
381/370
- D404,035 S \* 1/1999 Delazzer ..... D14/205
- 5,960,094 A \* 9/1999 Jensen ..... H04M 1/05  
381/374
- D423,012 S \* 4/2000 Yasutomi ..... D14/205
- D447,472 S \* 9/2001 McGugan ..... D14/225
- D449,040 S \* 10/2001 Weikel ..... D14/227
- D457,155 S \* 5/2002 Skulley ..... D14/206
- D497,357 S \* 10/2004 Allum ..... D14/206
- D505,413 S \* 5/2005 Skulley ..... D14/223
- D508,483 S \* 8/2005 Suzuki ..... D14/205
- D514,087 S \* 1/2006 Wilson ..... D14/206
- D517,527 S \* 3/2006 Suzuki ..... D14/205
- D517,528 S \* 3/2006 Skulley ..... D14/206

(Continued)

**FOREIGN PATENT DOCUMENTS**

- CN 306161874 \* 11/2020
- CN 306203573 \* 12/2020

*Primary Examiner* — Paula Allen Greene  
(74) *Attorney, Agent, or Firm* — Runit Ranjit Kanakia

(57) **CLAIM**

I claim the ornamental design for a headset, as shown and described.

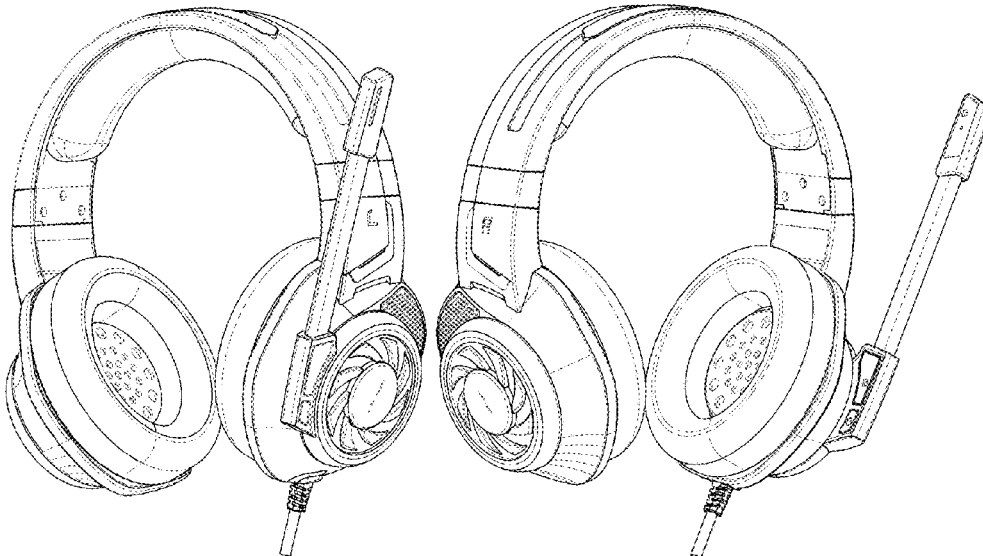
**DESCRIPTION**

FIG. 1 is a Perspective view of a headset showing my new design;  
 FIG. 2 is other Perspective view thereof;  
 FIG. 3 is a Front view thereof;  
 FIG. 4 is a Back view thereof;  
 FIG. 5 is a Right-side view thereof;  
 FIG. 6 is a Left-side view thereof;  
 FIG. 7 is a Top view thereof; and,  
 FIG. 8 is a Bottom view thereof.  
 The broken lines are for the purpose of illustrating portions of the article that form no part of the claim.

**1 Claim, 7 Drawing Sheets**

(56) **References Cited**  
**U.S. PATENT DOCUMENTS**

- 3,204,546 A \* 9/1965 Krell ..... F24F 7/013  
454/272
- D209,250 S \* 11/1967 Grad ..... D23/379
- 3,505,684 A \* 4/1970 Hutchinson ..... A61F 11/14  
2/209
- D233,444 S \* 10/1974 Christian ..... D14/206
- D254,183 S \* 2/1980 Doodson ..... D14/205
- 4,471,496 A \* 9/1984 Gardner, Jr. .... A61F 11/14  
2/209
- 4,529,058 A \* 7/1985 Emery ..... H04R 1/105  
181/129
- D297,761 S \* 9/1988 Shiraki ..... D23/370
- D299,337 S \* 1/1989 Wiegel ..... D14/206
- D302,429 S \* 7/1989 Leer ..... D14/137
- D395,894 S \* 7/1998 Hern ..... D14/227



(56)

References Cited

U.S. PATENT DOCUMENTS

D518,479 S *	4/2006	Skulley	D14/225	D815,614 S *	4/2018	Tzeng	D14/205
7,031,475 B2 *	4/2006	Kuraoka	H04M 1/0289 379/428.02	D824,360 S *	7/2018	Hsieh	D14/205
D531,165 S *	10/2006	Rath	D14/206	10,082,286 B1 *	9/2018	Huang	F04D 29/005
D540,303 S *	4/2007	Rausch	D14/205	D834,260 S *	11/2018	Garcia Mansilla	D29/112
D549,688 S *	8/2007	Suzuki	D14/205	D843,349 S *	3/2019	Burgess	D14/206
D571,000 S *	6/2008	Bei	D23/413	D845,927 S *	4/2019	Wang	D14/206
7,436,973 B2 *	10/2008	Liao	H04R 1/1041 381/370	D851,064 S *	6/2019	Wang	D14/206
D589,492 S *	3/2009	Mistry	D14/205	D852,777 S *	7/2019	Park	D14/206
D600,674 S *	9/2009	Brennwald	D14/205	D856,967 S *	8/2019	Tang	D14/206
D604,266 S *	11/2009	Milde	D14/205	D856,969 S *	8/2019	Tang	D14/206
D616,865 S *	6/2010	Marchand et al.		D856,970 S *	8/2019	Tang	D14/206
D641,727 S *	7/2011	Krauss	D14/206	D856,971 S *	8/2019	Tang	D14/206
8,189,847 B2 *	5/2012	Huang	H04R 1/1075 381/380	D864,903 S *	10/2019	Liu	D14/206
D662,490 S *	6/2012	McSweyn	D14/205	D866,515 S *	11/2019	Long	D14/206
D666,993 S *	9/2012	Kelley	D14/205	D868,734 S *	12/2019	Wang	D14/206
D672,745 S *	12/2012	Abed	D14/205	D870,696 S *	12/2019	Deng	D14/206
D673,518 S *	1/2013	Tan	D14/205	D870,698 S *	12/2019	Long	D14/206
D673,522 S *	1/2013	Iijima	D14/205	D876,392 S *	2/2020	Zhou	D14/206
D690,282 S *	9/2013	Lee	D14/205	D877,116 S *	3/2020	Liu	D14/206
D690,284 S *	9/2013	Brennwald	D14/205	D883,950 S *	5/2020	Liu	D14/206
8,767,996 B1 *	7/2014	Lin	G06F 3/165 381/380	D890,131 S *	7/2020	Shen	D14/206
D716,760 S *	11/2014	Brunner	D14/206	D891,399 S *	7/2020	Chen	D14/206
D716,762 S *	11/2014	Greve		D893,454 S *	8/2020	Li	D14/206
D723,508 S *	3/2015	Garland	D14/205	D894,869 S *	9/2020	Tang	D14/206
D723,509 S *	3/2015	Garland	D14/205	D901,439 S *	11/2020	Chen	D14/206
D724,561 S *	3/2015	Ko	D14/205	D903,087 S *	11/2020	Zhou	D23/370
D741,286 S *	10/2015	Brennwald	D14/205	2006/0256992 A1 *	11/2006	Liao	H04R 1/1058 381/371
D745,859 S *	12/2015	Kiuchi	D14/205	2010/0040252 A1 *	2/2010	Thompson	H04R 1/083 381/375
D766,207 S *	9/2016	Paterson et al.		2010/0128888 A1 *	5/2010	Junge	H04R 5/033 381/74
D769,219 S *	10/2016	Ohmachi	D14/205	2011/0194721 A1 *	8/2011	Schmidt	H04M 1/05 381/370
D788,071 S *	5/2017	Logan	D14/205	2012/0288131 A1 *	11/2012	Vaerum	H04R 1/1066 381/378
D789,331 S *	6/2017	Paterson	D14/225	2015/0281850 A1 *	10/2015	Wang	H04R 5/033 381/74
D795,835 S *	8/2017	Nagamine et al.		2019/0110122 A1 *	4/2019	Zelnick	H04R 1/1066
D808,359 S *	1/2018	Meyer	D14/205	2019/0238998 A1 *	8/2019	Zhang	H04R 19/04
D812,035 S *	3/2018	Petersen					

\* cited by examiner



FIG. 1



FIG. 2



FIG. 3



FIG. 4

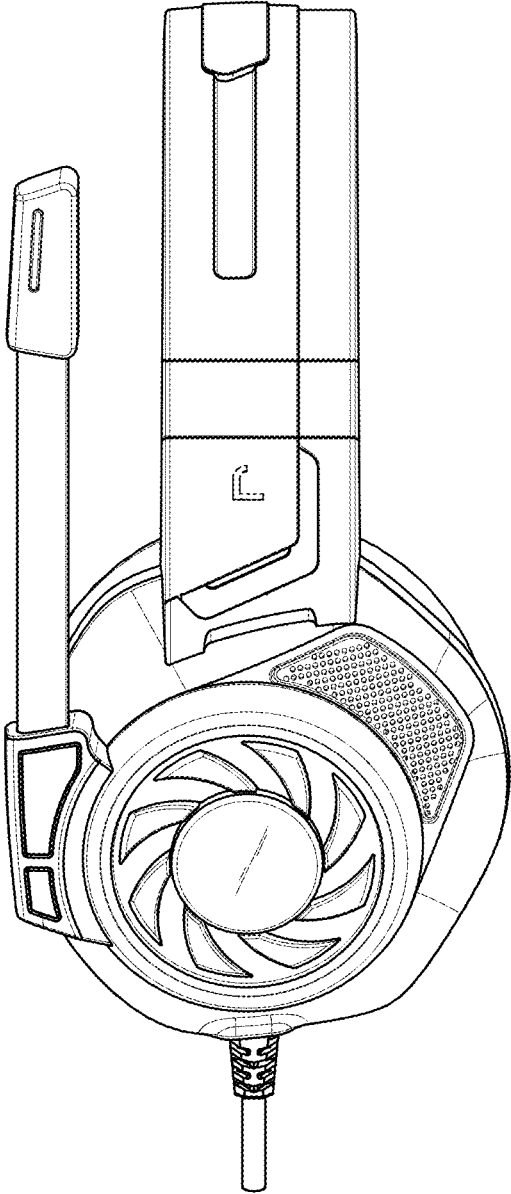


FIG. 5

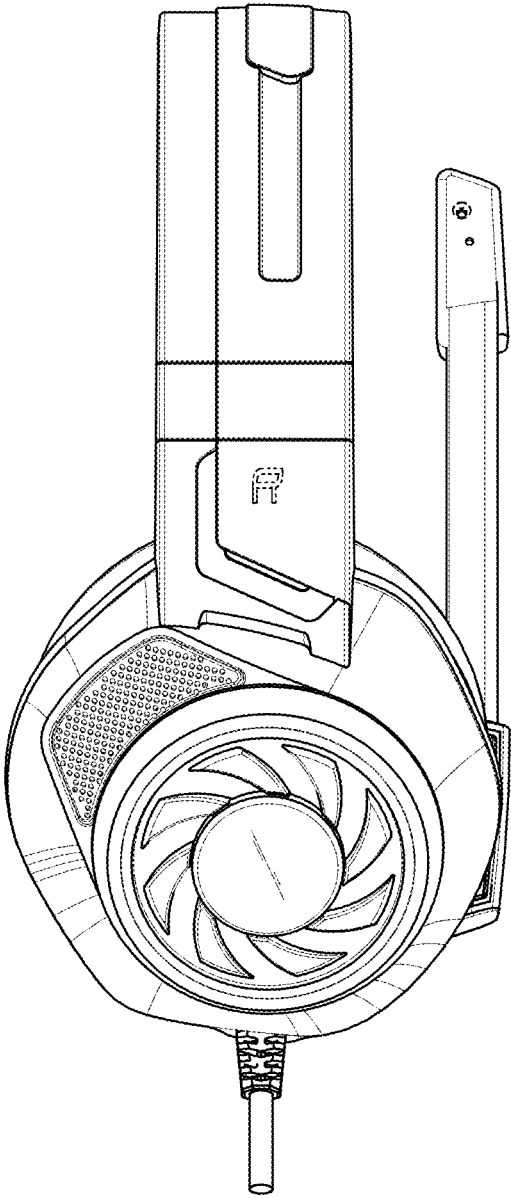


FIG. 6



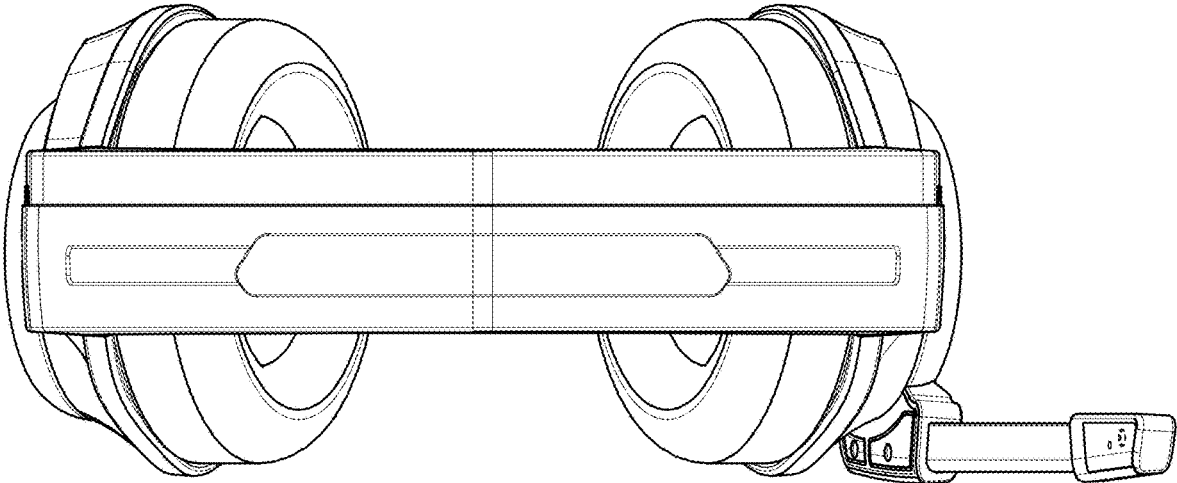


FIG. 7

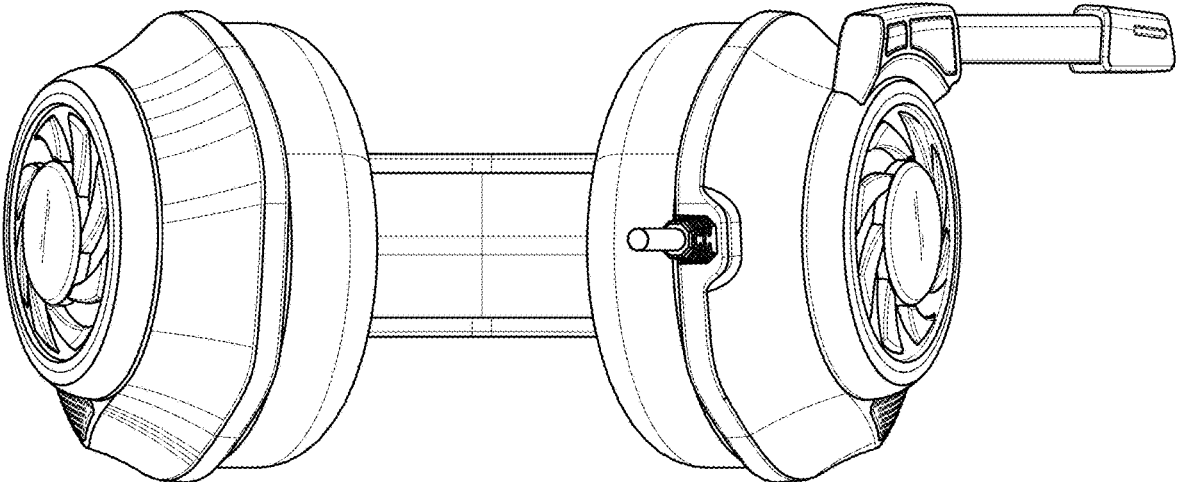


FIG. 8