



US00D982706S

(12) **United States Design Patent**
Lin

(10) **Patent No.:** **US D982,706 S**

(45) **Date of Patent:** **** Apr. 4, 2023**

(54) **PEST REPELLENT**

(71) Applicant: **Fuzhou Xinghuo E-commerce Co., Ltd.**, Fuzhou (CN)

(72) Inventor: **Mingzhi Lin**, Fuzhou (CN)

(73) Assignee: **Fuzhou Xinghuo e-commerce Co., Ltd.**, Fuzhou (CN)

(**) Term: **15 Years**

(21) Appl. No.: **29/782,391**

(22) Filed: **May 6, 2021**

(51) **LOC (14) Cl.** **22-06**

(52) **U.S. Cl.**
USPC **D22/120**

(58) **Field of Classification Search**
USPC D22/119–120, 122; D23/366–369
CPC A01M 1/04; A01M 1/104; A01M 1/08;
A01M 29/12; A01M 29/28; A01M 29/34;
A01M 2200/01; A01M 2200/011; A01M
2200/012
See application file for complete search history.

(56) **References Cited**

U.S. PATENT DOCUMENTS

5,606,305	A *	2/1997	Jan	A01M 29/18 367/139
D469,499	S *	1/2003	Levine	D22/120
D639,466	S *	6/2011	Feuerstein	D22/120
D829,848	S *	10/2018	Gu	D22/120

D836,748	S *	12/2018	Gu	D22/120
D847,296	S *	4/2019	Gu	D22/120
D852,312	S *	6/2019	Gu	D22/120
D869,598	S *	12/2019	Gu	D22/120
D879,910	S *	3/2020	Gu	D22/120
D880,645	S *	4/2020	Gu	D22/119
D880,646	S *	4/2020	Gu	D22/120
D897,485	S *	9/2020	He	D22/120
D961,040	S *	8/2022	Savchenko	D22/120
D962,380	S *	8/2022	Zhang	D22/120
D963,783	S *	9/2022	Huang	D22/120

* cited by examiner

Primary Examiner — Catherine R Oliver-Garcia

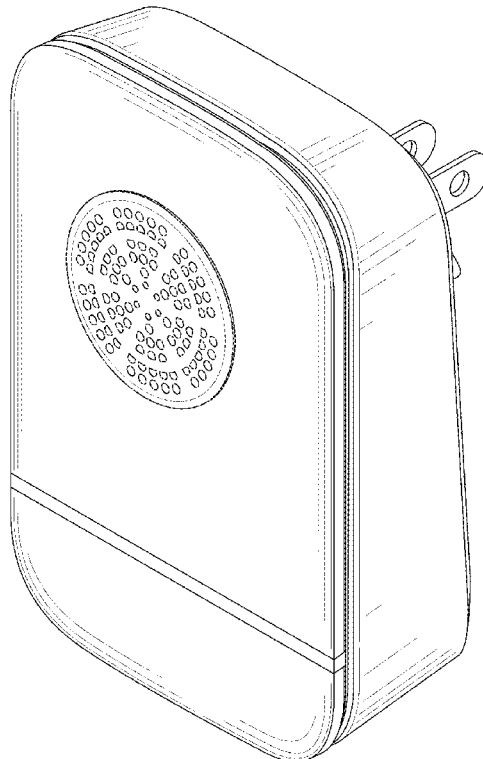
(57) **CLAIM**

The ornamental design for a pest repellent, as shown and described.

DESCRIPTION

FIG. 1 is a perspective view of a pest repellent showing my new design;
FIG. 2 is another perspective view thereof;
FIG. 3 is a front view thereof;
FIG. 4 is a rear view thereof;
FIG. 5 is a left side view thereof;
FIG. 6 is a right side view thereof;
FIG. 7 is a top plan view thereof; and,
FIG. 8 is a bottom plan view thereof.
The broken lines in the figures illustrate portions of the pest repellent that form no part of the claimed design.

1 Claim, 8 Drawing Sheets



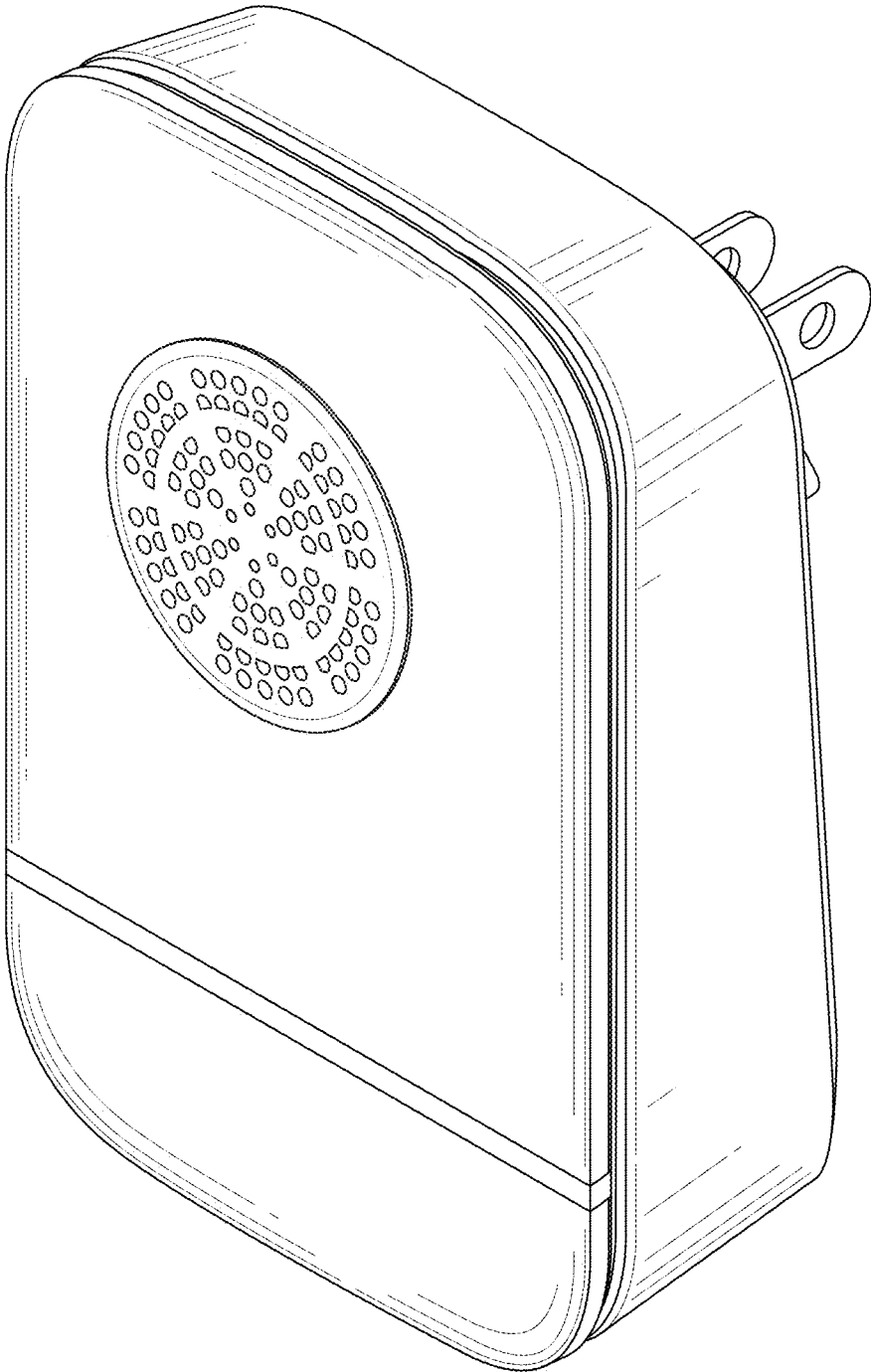


FIG. 1

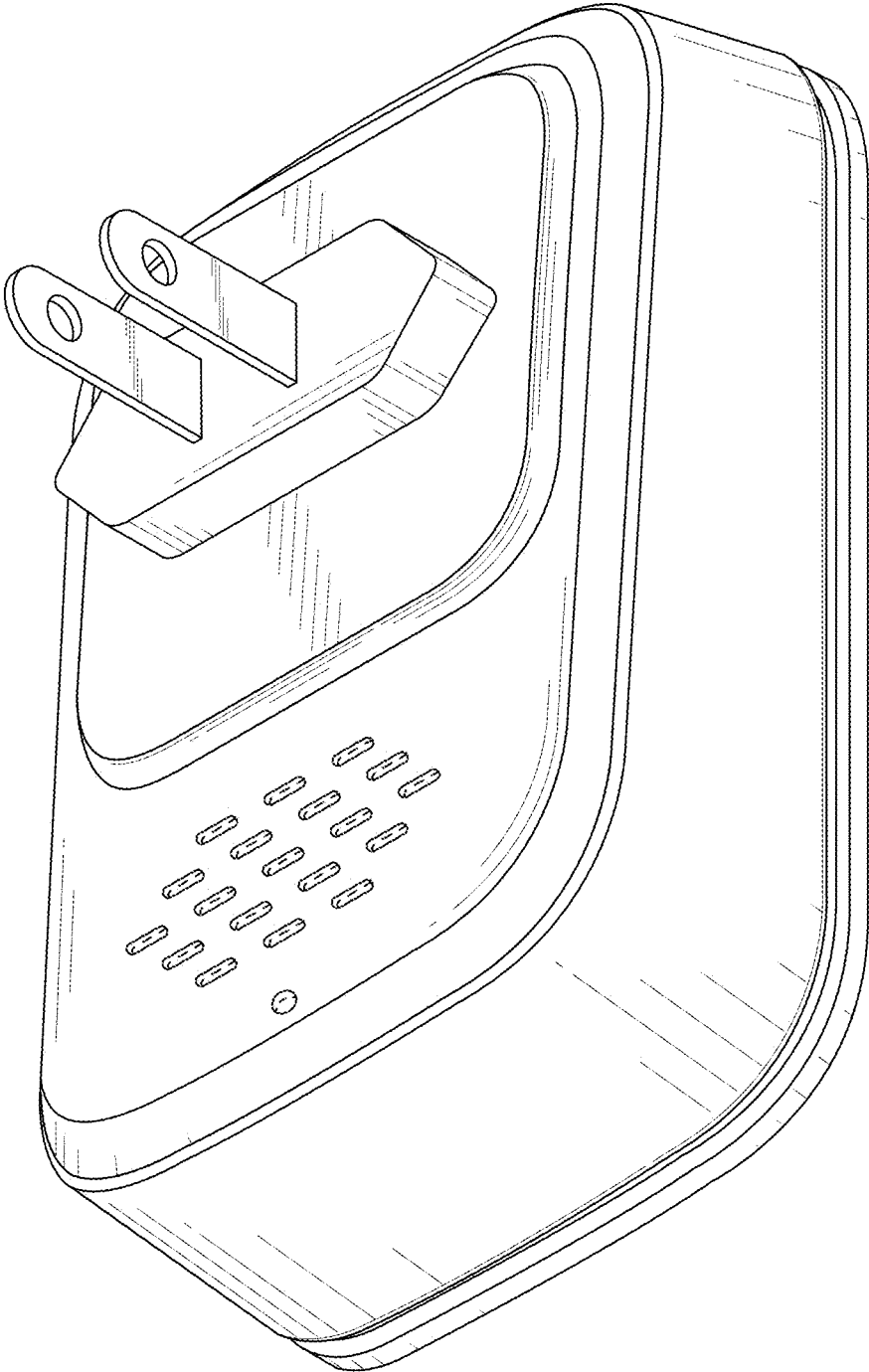


FIG. 2

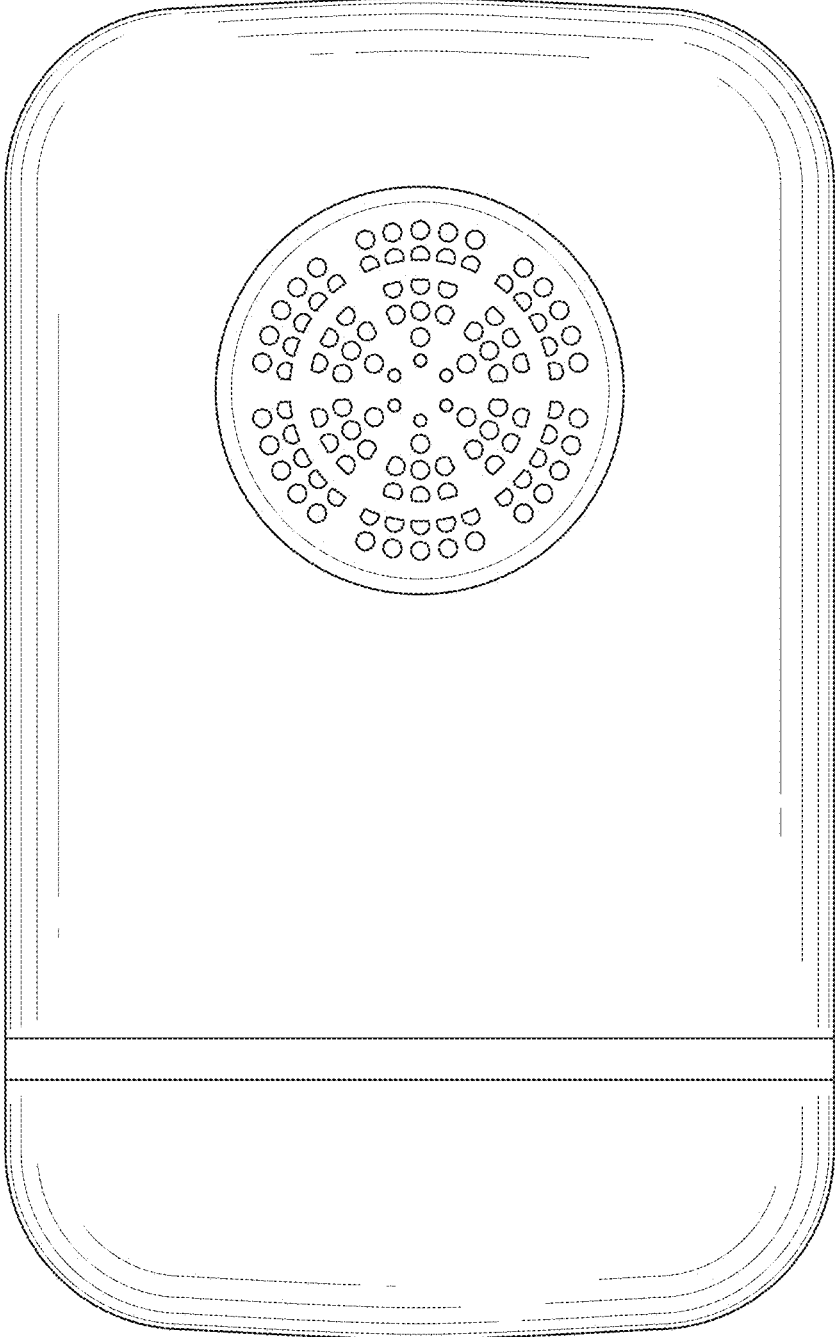


FIG. 3

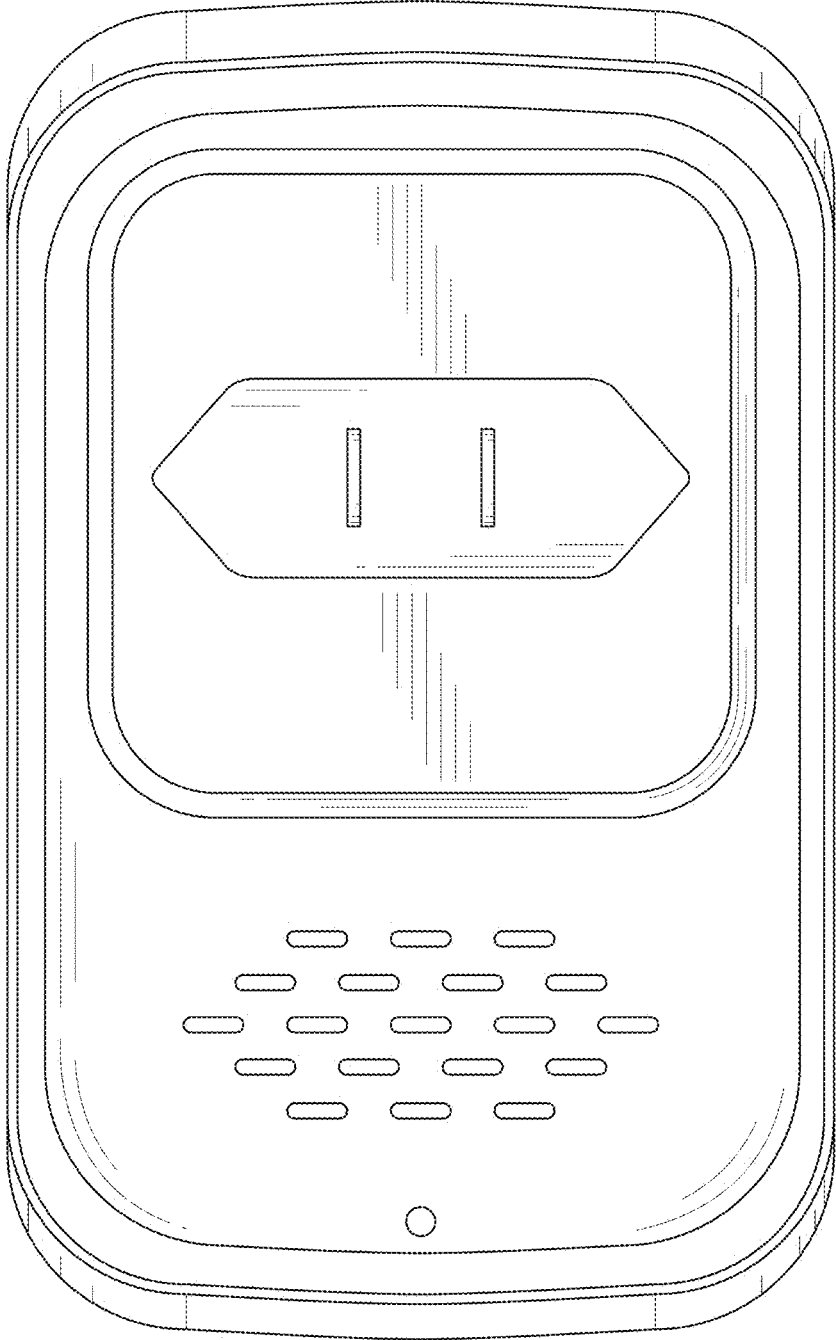


FIG. 4

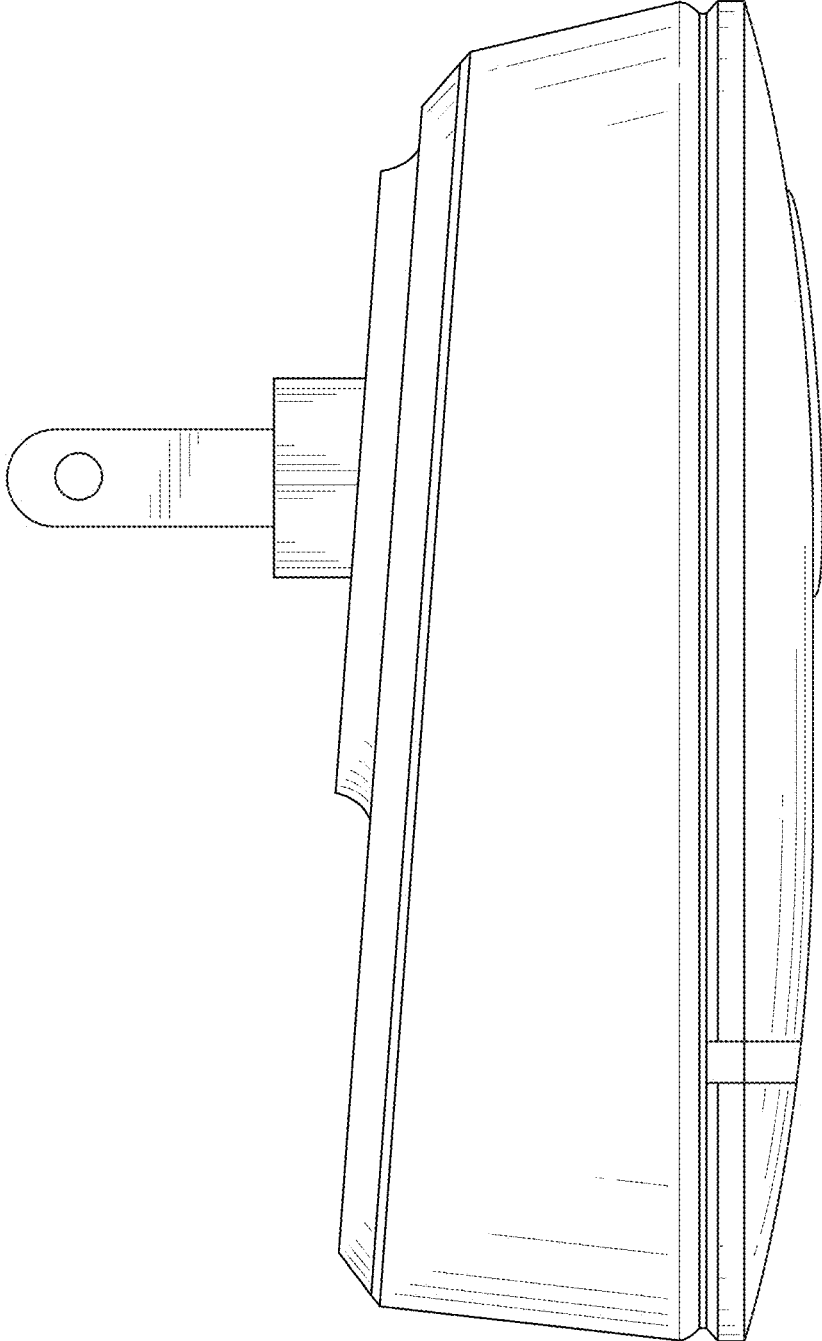


FIG. 5

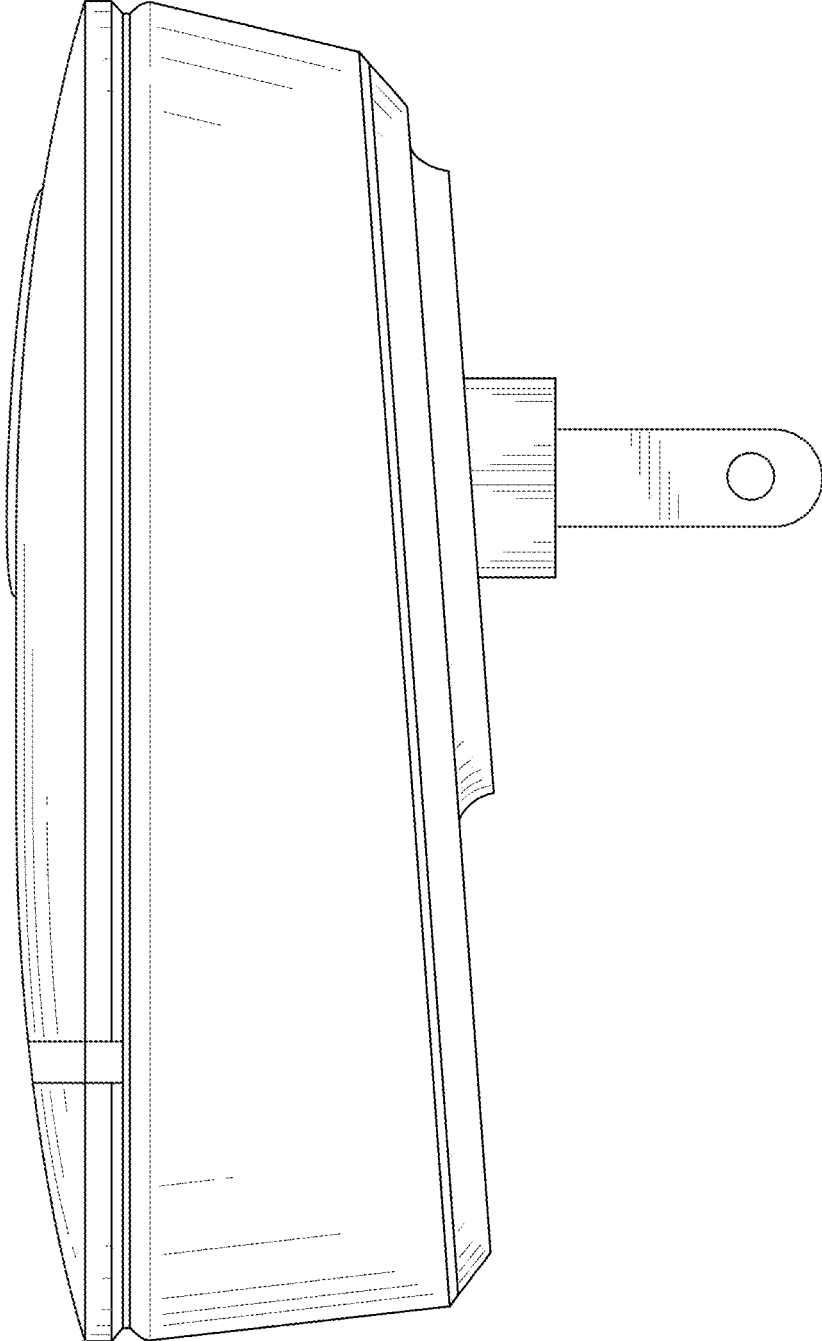


FIG. 6

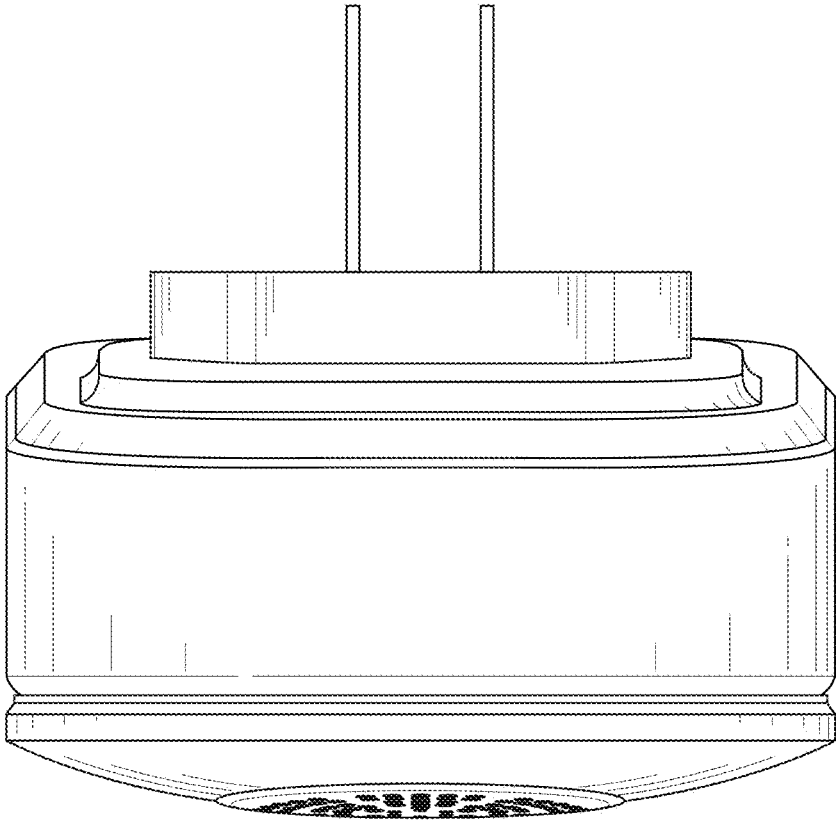


FIG. 7

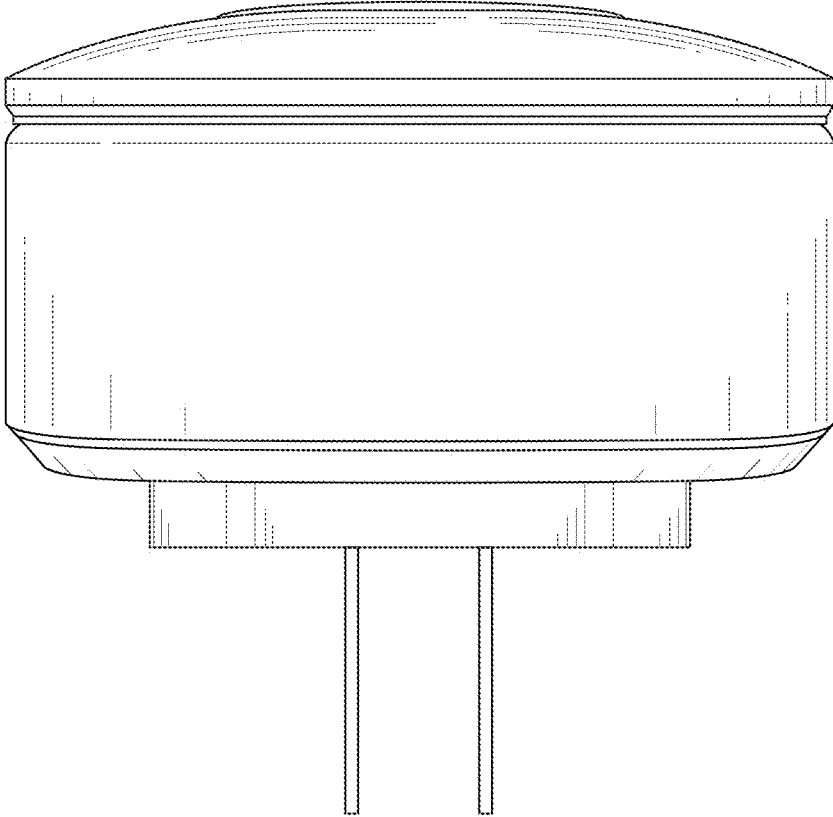


FIG. 8