



US00D969709S

(12) **United States Design Patent**  
**Liu et al.**

(10) **Patent No.:** **US D969,709 S**

(45) **Date of Patent:** **\*\* Nov. 15, 2022**

(54) **VEHICLE WHEEL**

(71) Applicant: **CITIC Dicastal Co., Ltd.**,  
Qinhuangdao (CN)  
  
(72) Inventors: **Zhichong Liu**, Qinhuangdao (CN);  
**Shiwen Xu**, Qinhuangdao (CN);  
**Zhijia Zhu**, Qinhuangdao (CN); **Zuo**  
**Xu**, Qinhuangdao (CN)  
  
(73) Assignee: **CITIC Dicastal Co., Ltd.**,  
Qinhuangdao (CN)

(\*\*) Term: **15 Years**

(21) Appl. No.: **29/781,721**

(22) Filed: **Apr. 30, 2021**

(51) **LOC (13) Cl.** ..... **12-16**

(52) **U.S. Cl.**  
USPC ..... **D12/209**

(58) **Field of Classification Search**  
USPC ..... D12/204–213; D21/563  
CPC .... B60B 7/00; B60B 7/02; B60B 7/04; B60B  
7/01; B60B 7/06; B60B 3/02; B60B 3/04;  
B60B 3/06; B60B 3/10; B60B 1/00;  
B60B 1/08; B60B 1/10; B60B 1/12

See application file for complete search history.

(56) **References Cited**

U.S. PATENT DOCUMENTS

D454,106	S	*	3/2002	Hodges	.....	D12/209
D656,078	S	*	3/2012	Hans	.....	D12/211
D684,100	S	*	6/2013	Chan	.....	D12/209
D736,688	S	*	8/2015	Simpson	.....	D12/209
D862,612	S	*	10/2019	Sprowl	.....	D21/563
D883,890	S	*	5/2020	Metros	.....	D12/209
D892,015	S	*	8/2020	Mueller	.....	D12/209
D894,085	S	*	8/2020	Liu	.....	D12/209
D896,724	S	*	9/2020	Valencia Pollex	.....	D12/209

\* cited by examiner

*Primary Examiner* — Calvin E Vansant

(74) *Attorney, Agent, or Firm* — IPPro, PLLC

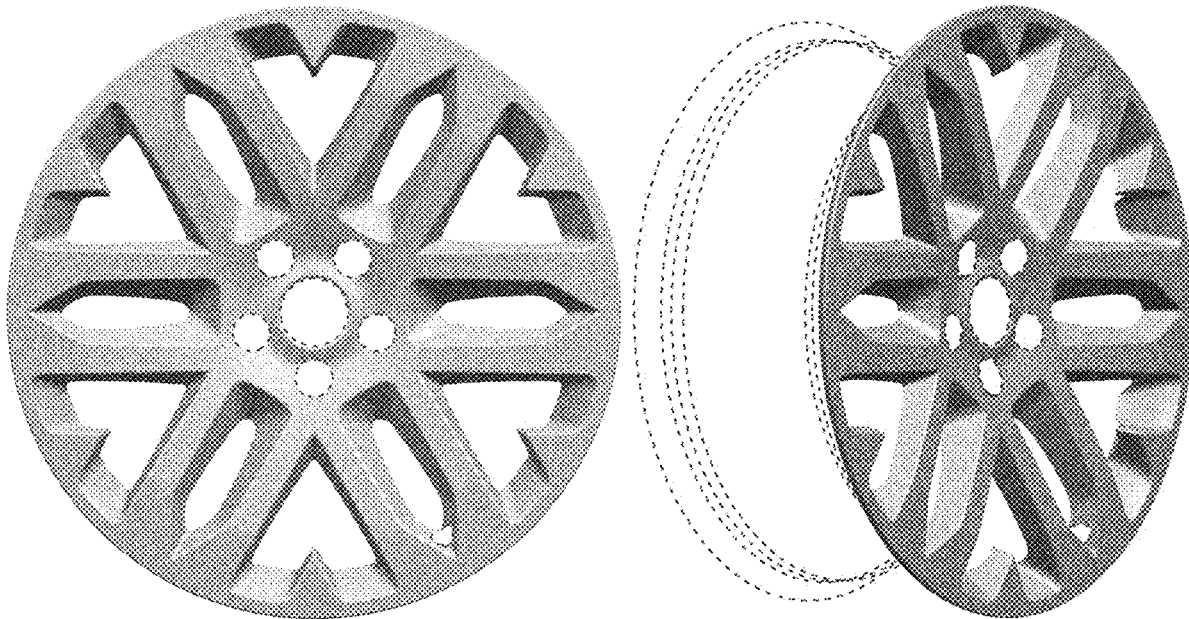
(57) **CLAIM**

The ornamental design for a vehicle wheel, as shown and described.

**DESCRIPTION**

FIG. 1 is a front view of a vehicle wheel.  
FIG. 2 is a perspective view of the vehicle wheel; and,  
FIG. 3 is a left side view of the vehicle wheel.  
In the drawings the broken lines depict portions of the wheel that form no part of the claimed design.

**1 Claim, 3 Drawing Sheets**



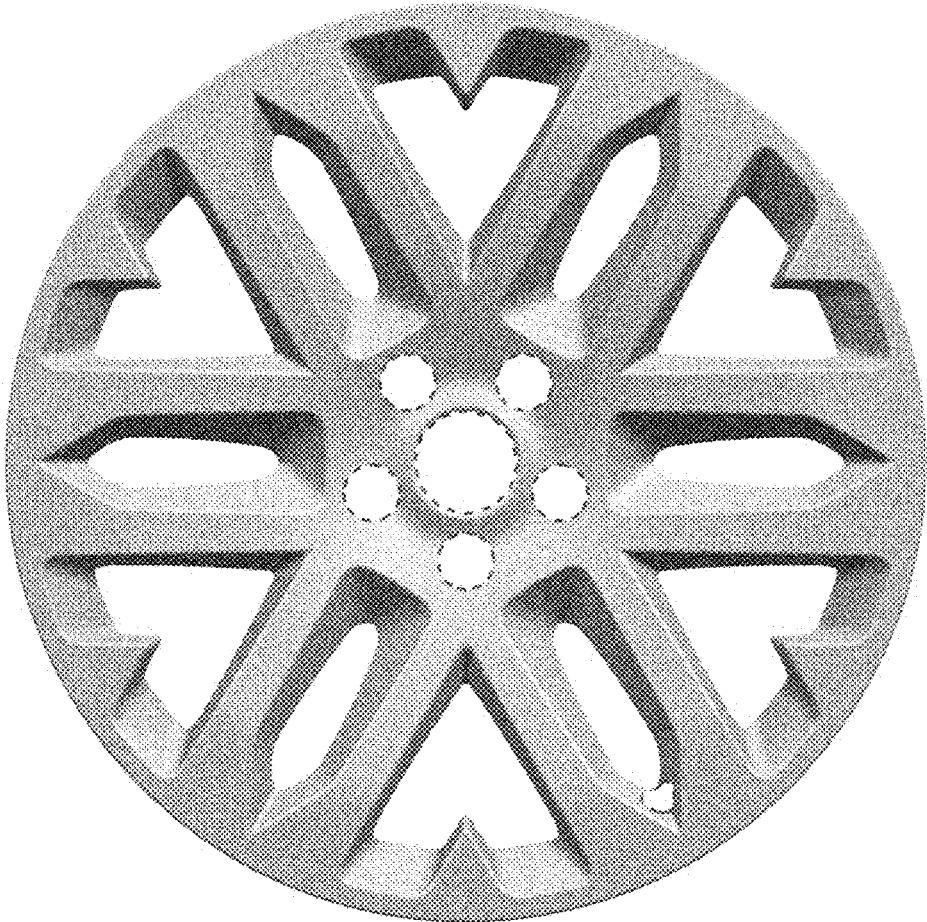


FIG. 1

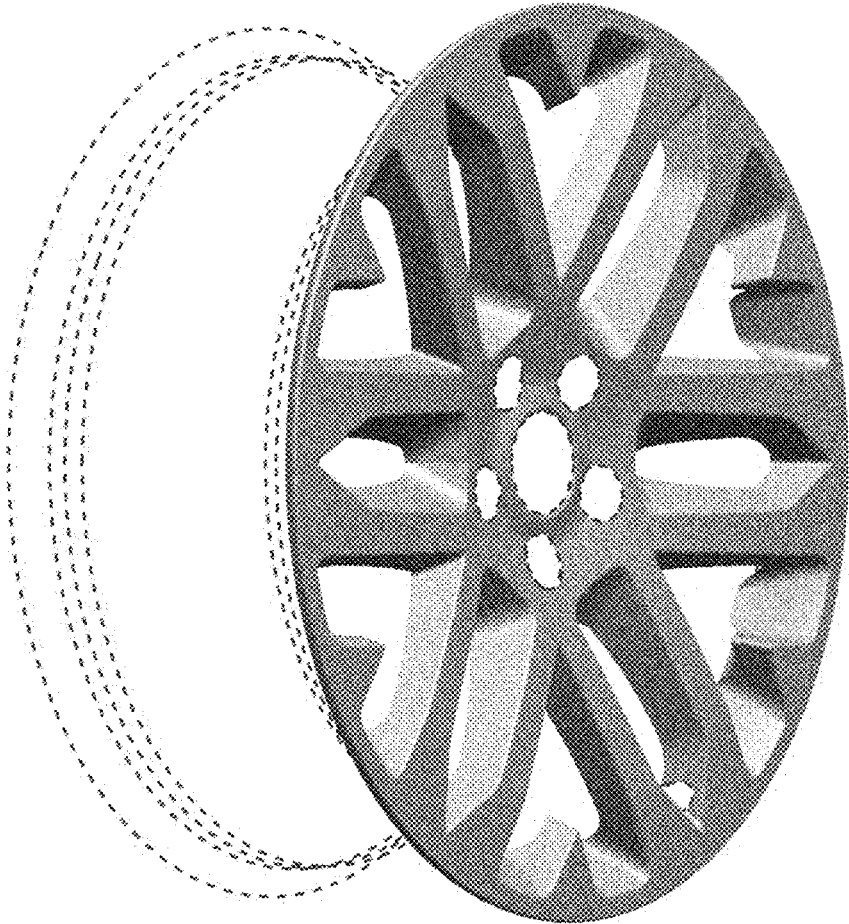


FIG. 2

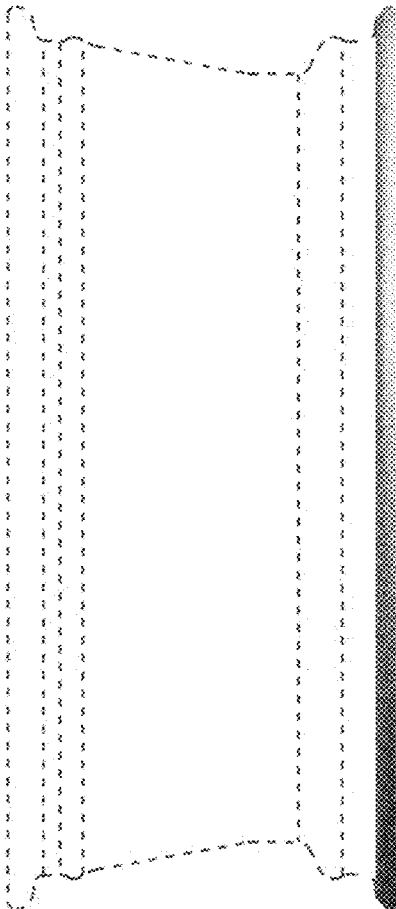


FIG. 3