



US00D444796S

(12) **United States Design Patent**  
**Morgan**

(10) **Patent No.:** **US D444,796 S**

(45) **Date of Patent:** **\*\* Jul. 10, 2001**

- (54) **DOUBLE HOTDOG**
- (75) **Inventor:** **Fred M. Morgan, Jackson, TN (US)**
- (73) **Assignee:** **DeVilbiss Air Power Company, Jackson, TN (US)**
- (\*\*) **Term:** **14 Years**
- (21) **Appl. No.:** **29/119,801**
- (22) **Filed:** **Mar. 8, 2000**
- (51) **LOC (7) Cl.** ..... **15-02**
- (52) **U.S. Cl.** ..... **D15/9**
- (58) **Field of Search** ..... D15/7-9; 417/234,  
417/360, 44.9, 362; 248/675, 657; 92/58.1;  
222/3; 137/899.4

- D. 377,799 \* 2/1997 Kruzel et al. .... D15/7
- D. 384,676 \* 10/1997 Cyphers et al. .... D15/7
- D. 435,048 \* 12/2000 Breerer et al. .... D15/7

\* cited by examiner

*Primary Examiner*—Ralf Seifert

(74) *Attorney, Agent, or Firm*—Suiter & Associates PC

(57) **CLAIM**

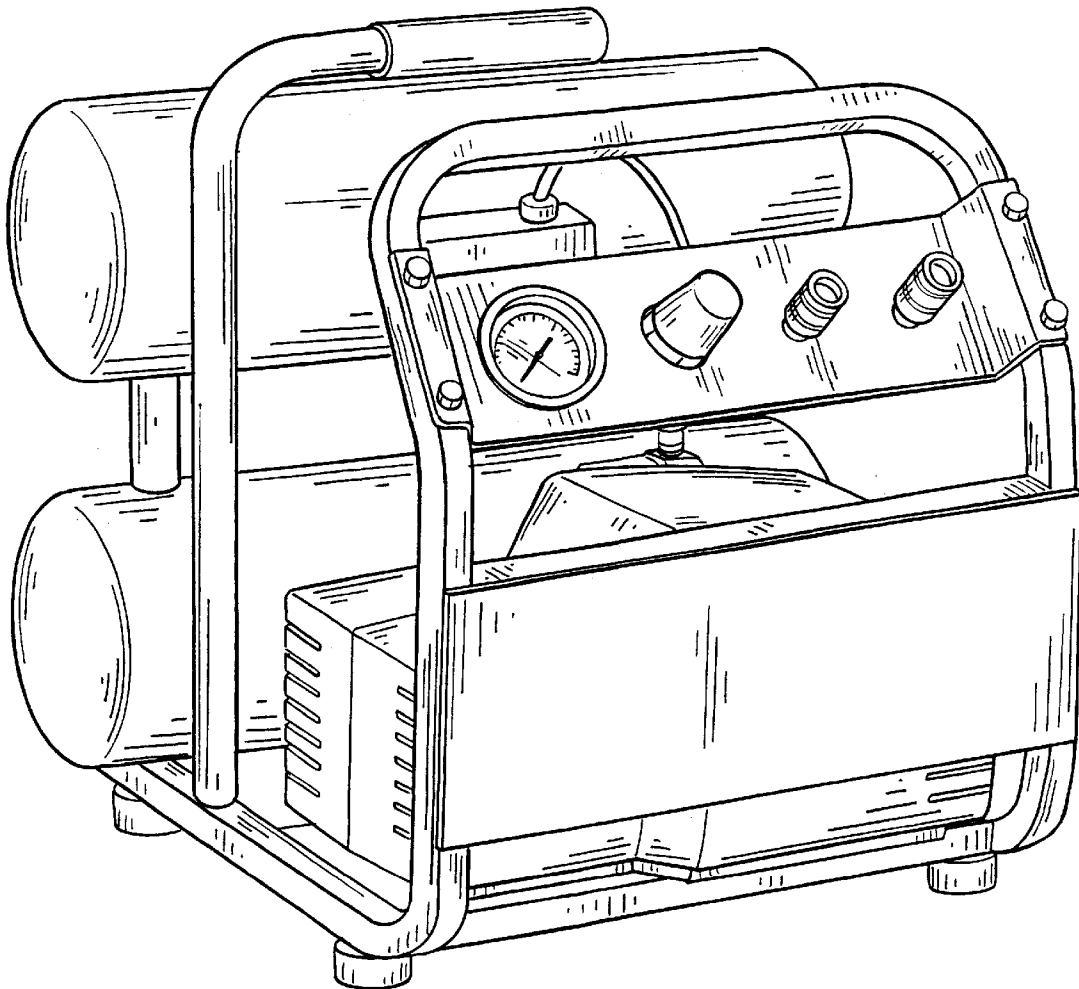
We claim the ornamental design for a double hotdog, as shown.

**DESCRIPTION**

FIG. 1 is an isometric view of the double hotdog design; FIG. 2 is a top plan view thereof; FIG. 3 is a front side view thereof; FIG. 4 is a left side elevation view thereof; FIG. 5 is a right side elevation view thereof; FIG. 6 is a rear side elevation view thereof; and, FIG. 7 is a bottom plan view thereof.

- (56) **References Cited**  
**U.S. PATENT DOCUMENTS**
- D. 243,282 \* 2/1977 Burenga ..... D15/9
- D. 373,774 \* 9/1996 Chen ..... D15/9

**1 Claim, 3 Drawing Sheets**



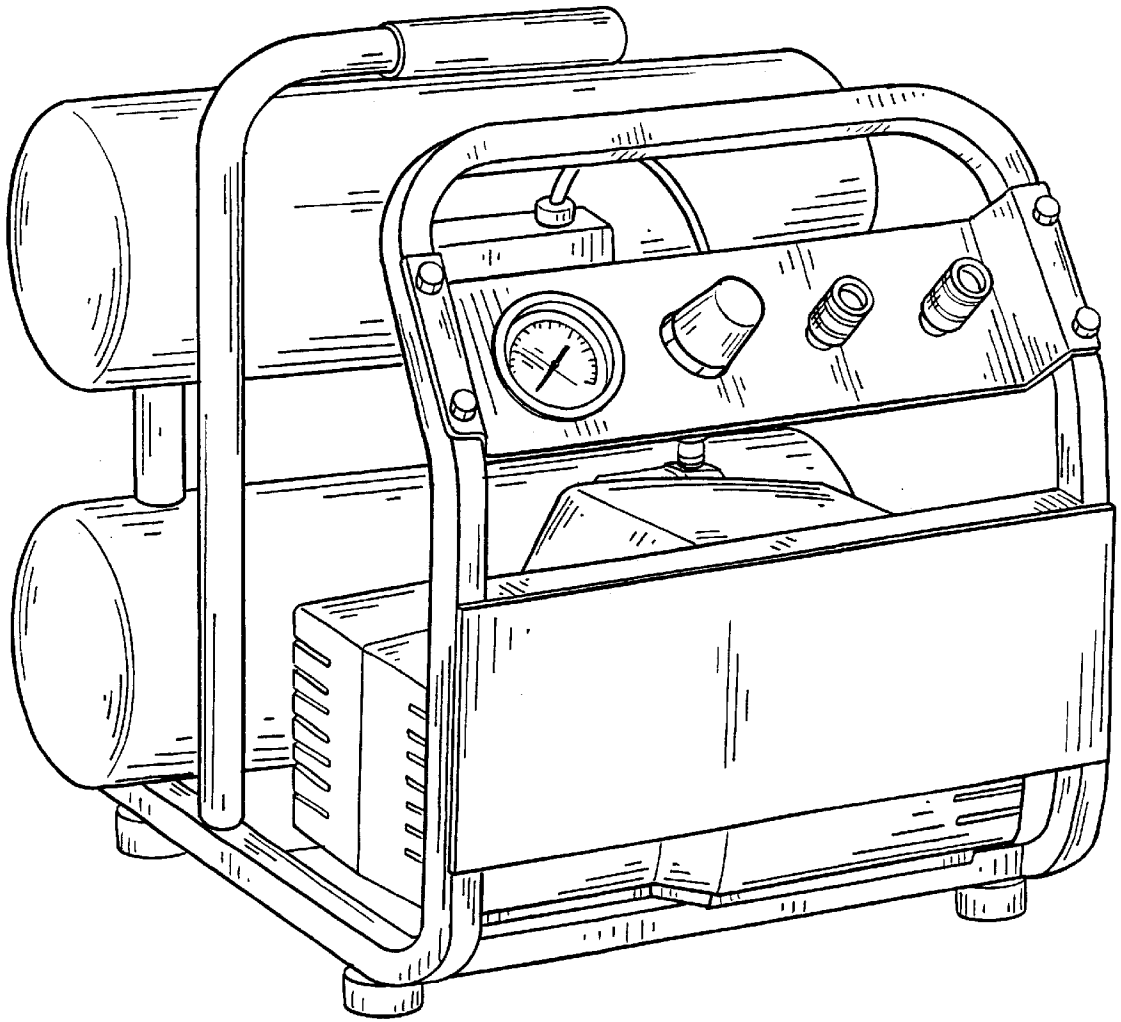


FIG. 1

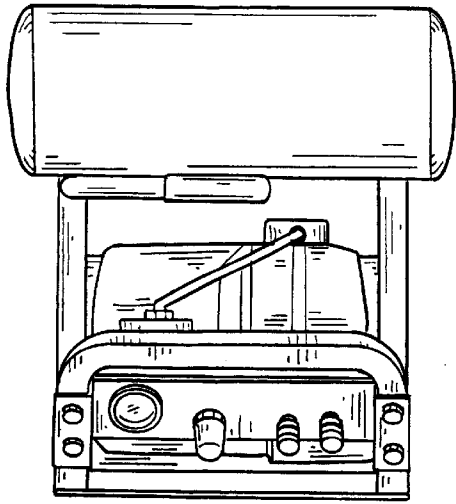


FIG. 2

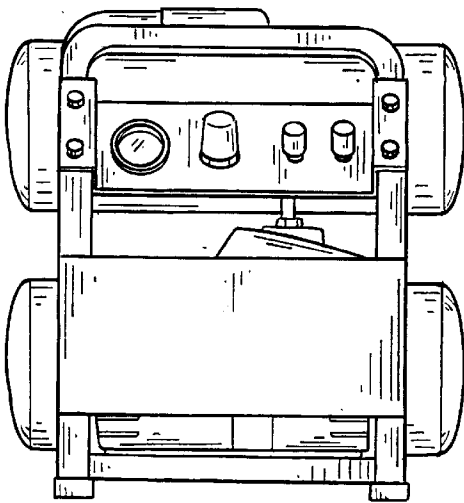


FIG. 3

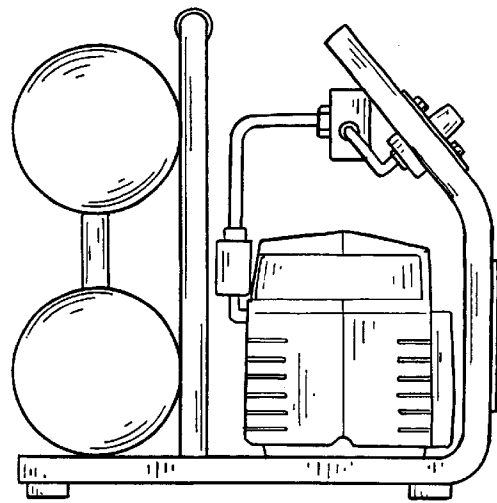


FIG. 4

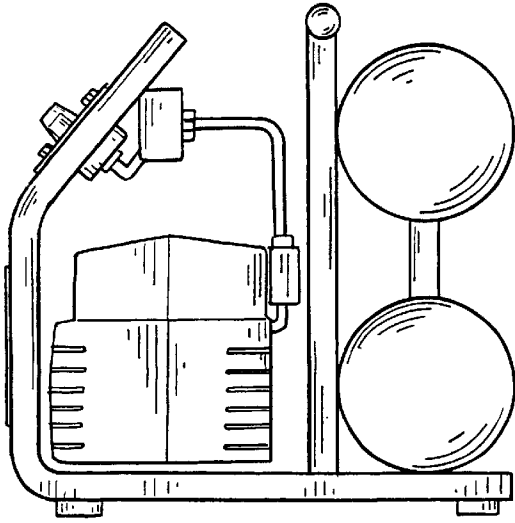


FIG. 5

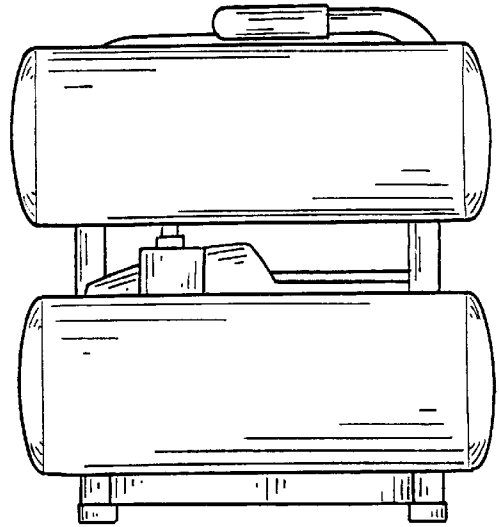


FIG. 6

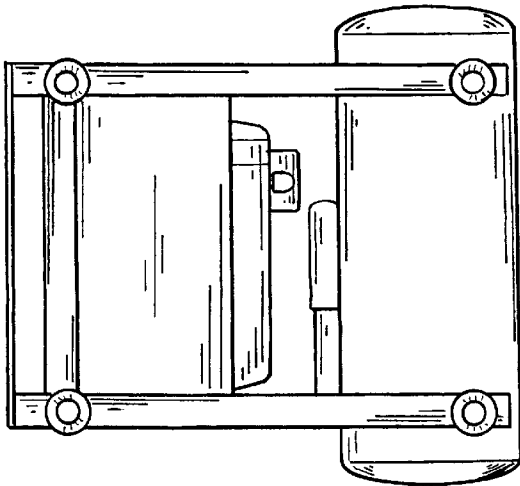


FIG. 7