



US0D1018048S

(12) **United States Design Patent**
Dai

(10) **Patent No.:** **US D1,018,048 S**

(45) **Date of Patent:** **** Mar. 19, 2024**

(54) **DRAWER UNIT**

com/mDesign-Plastic-Stackable-Kitchen-Pull-Out/dp/B09X5ZVX3Y?th=1 (Year: 2022).*

(71) Applicant: **ShenZhen YiHong Technology Co., LTD**, Guangdong (CN)

(Continued)

(72) Inventor: **Yi Dai**, ShenZhen (CN)

Primary Examiner — Steven J Cxyz

(74) *Attorney, Agent, or Firm* — iPA & iPM

(73) Assignee: **ShenZhen YiHong Technology CO., LTD**, ShenZhen (CN)

(57) **CLAIM**

(**) Term: **15 Years**

The ornamental design for a drawer unit, as shown and described.

(21) Appl. No.: **29/918,158**

(22) Filed: **Nov. 26, 2023**

DESCRIPTION

Related U.S. Application Data

(62) Division of application No. 29/899,799, filed on Aug. 13, 2023.

FIG. 1 is a perspective view from above of a first embodiment of a drawer unit showing my new design, wherein the drawer unit is shown with an inner container sliding out of a housing;

(51) **LOC (14) Cl.** **03-01**

(52) **U.S. Cl.**
USPC **D3/297**

FIG. 2 is a perspective view of the housing;

FIG. 3 is a perspective view from below thereof;

FIG. 4 is a front view thereof;

FIG. 5 is a back view thereof;

FIG. 6 is a left side view thereof;

FIG. 7 is a right side view thereof;

FIG. 8 is a top view thereof;

FIG. 9 is a bottom view thereof;

FIG. 10 is a perspective view of the inner container;

FIG. 11 is a perspective view from below thereof;

FIG. 12 is a front view thereof;

FIG. 13 is a back view thereof;

FIG. 14 is a left side view thereof;

FIG. 15 is a right side view thereof;

FIG. 16 is a top view thereof;

FIG. 17 is a bottom view thereof;

FIG. 18 is a perspective view of the drawer unit with the inner container completely enclosed by the housing; and,

FIG. 19 is a perspective view of a second embodiment of the drawer unit with all views identical to that of the first embodiment, except for a perceivable degree of transparency.

(58) **Field of Classification Search**

USPC D3/201, 273, 281, 297, 319; D6/627, D6/657, 663, 705

CPC B65D 11/12; B65D 11/26; B65D 25/282; B65D 5/38; B65D 5/4295; B65D 5/46072; B65D 21/0223; A47B 88/9418; A47B 2210/19

See application file for complete search history.

(56) **References Cited**

U.S. PATENT DOCUMENTS

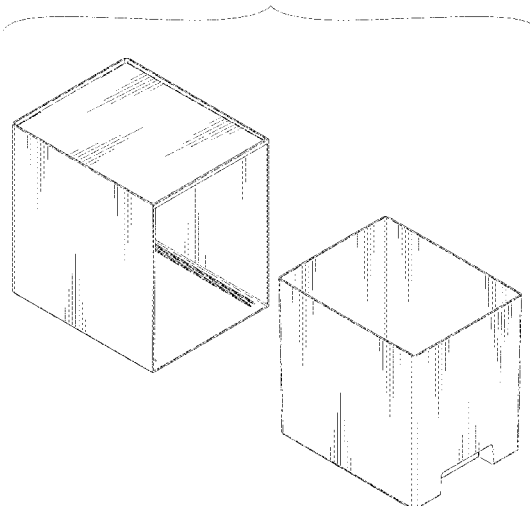
D243,900 S *	4/1977	Boyd	D3/297
D263,100 S *	2/1982	Thompson	D18/59
D263,777 S *	4/1982	Thompson	D6/663
D328,399 S *	8/1992	McGrory	D3/297

(Continued)

OTHER PUBLICATIONS

MDesign Plastic Stackable Kitchen Storage Organizer Bins with Pull Out Drawer for Cabinet, amazon.com, <https://www.amazon.com>

1 Claim, 13 Drawing Sheets



(56)

References Cited

U.S. PATENT DOCUMENTS

5,147,041 A * 9/1992 Lemieux B42F 17/02
 217/11
 D352,859 S * 11/1994 Kirchner D19/76
 5,407,074 A * 4/1995 Brightbill B65D 21/0223
 206/508
 D358,727 S 5/1995 Dickinson et al.
 D360,778 S * 8/1995 Apt, III D6/663
 D362,567 S * 9/1995 Licari D6/657
 D363,396 S * 10/1995 Licari D3/297
 D372,378 S * 8/1996 Kruger D6/663
 5,673,796 A * 10/1997 Tulloch B65D 5/4216
 206/769
 5,680,957 A * 10/1997 Liu A47B 87/0284
 220/663
 5,913,580 A * 6/1999 Liu F16B 12/26
 312/263
 5,957,558 A * 9/1999 Quade A47B 88/48
 312/246
 D439,743 S * 4/2001 DeVance D3/297
 D478,208 S * 8/2003 Cassel D3/273
 D483,965 S * 12/2003 Cassel D3/297
 D506,090 S * 6/2005 Ben-Or D6/671.1
 D518,708 S * 4/2006 Ohayon D6/705
 7,249,674 B2 * 7/2007 Mu B65D 5/38
 206/278
 D584,053 S * 1/2009 Abdo D3/302
 D590,710 S * 4/2009 Mittelstaedt D3/297
 D599,589 S * 9/2009 Cassel D3/297
 D610,001 S * 2/2010 McAlpine D6/705
 D611,342 S * 3/2010 McAlpine D3/297
 D634,564 S * 3/2011 Licari D6/657
 D670,111 S * 11/2012 McNamara D6/705
 D674,213 S * 1/2013 Hertaus D6/663
 D708,875 S * 7/2014 McNamara D6/705
 D726,819 S * 4/2015 Botha D19/75
 D740,026 S * 10/2015 Yamamoto D3/297
 D740,027 S * 10/2015 Yamamoto D3/297
 D740,563 S * 10/2015 Yamamoto D3/297
 D778,647 S * 2/2017 Snider D6/705.6
 D785,326 S * 5/2017 Yamamoto D3/297
 D785,328 S * 5/2017 Yamamoto D3/297
 D785,329 S * 5/2017 Yamamoto D3/297
 9,863,167 B1 * 1/2018 Garrett B60R 7/087
 D838,516 S * 1/2019 Bitton D6/671
 D841,327 S * 2/2019 Hsu D3/297
 D848,739 S * 5/2019 Hsu D3/297
 D854,830 S * 7/2019 Criste D3/302
 D855,321 S * 8/2019 Yamamoto D3/297
 D855,987 S * 8/2019 Yamamoto D3/297
 D878,197 S * 3/2020 Griffin D9/414
 D899,773 S * 10/2020 Hu D3/304
 D900,476 S * 11/2020 McBride D3/319
 D922,147 S 6/2021 Joseph
 D934,597 S * 11/2021 Nakhla D6/668.2
 11,203,466 B2 * 12/2021 Kobayashi B65D 21/0222
 11,259,634 B1 * 3/2022 Chen A47B 57/12
 D949,565 S * 4/2022 Huang D3/298
 D956,420 S * 7/2022 Song D3/294
 D969,486 S * 11/2022 Hu D3/273
 D974,083 S * 1/2023 Ma D6/663
 D976,653 S * 1/2023 Zhong D7/703
 D977,837 S * 2/2023 Dai A47B 88/9418
 D3/298
 D983,523 S * 4/2023 Wang D6/671.1
 D988,719 S * 6/2023 Wang D99/28
 D990,169 S * 6/2023 Song D3/294
 D990,170 S * 6/2023 Song D3/294
 D990,952 S * 7/2023 Dai D6/705
 D993,696 S * 8/2023 Zhang D6/705
 D997,557 S * 9/2023 Dai D3/297

11,760,535 B2 * 9/2023 Dai B65D 25/282
 220/23.87
 D1,002,246 S * 10/2023 Luo D6/671.1
 D1,004,281 S * 11/2023 Hsu D3/297
 2006/0151583 A1 * 7/2006 Wang B65D 5/326
 229/117.06
 2007/0039840 A1 * 2/2007 Mu B65D 5/4295
 206/278
 2007/0257587 A1 * 11/2007 Jackson A47B 67/04
 312/330.1
 2008/0029528 A1 * 2/2008 Mireault B65D 43/22
 220/200
 2009/0302097 A1 * 12/2009 Vincent B65D 5/0254
 229/120.33
 2010/0224528 A1 * 9/2010 Madsen B65D 21/0217
 206/505
 2015/0008814 A1 * 1/2015 Yamamoto A47B 87/0292
 312/334.27
 2015/0102717 A1 * 4/2015 Furr F25D 25/025
 312/404
 2017/0119126 A1 * 5/2017 Provost B65D 43/12
 2020/0299028 A1 * 9/2020 Lee B65D 21/086
 2021/0139186 A1 * 5/2021 Kobayashi B65D 5/001
 2021/0253315 A1 * 8/2021 Fortuny E04B 1/74
 2023/0142977 A1 * 5/2023 Dai B65D 11/26
 220/23.87
 2023/0225508 A1 * 7/2023 Cao A47B 88/417
 312/330.1
 2023/0278191 A1 * 9/2023 Zhang B65D 21/0228
 206/503
 2023/0373680 A1 * 11/2023 Dowd B65D 5/38

OTHER PUBLICATIONS

Syntus 3 Piece Set Stackable Makeup Organizers, amazon.com, https://www.amazon.com/Syntus-Stackable-Organizers-Organizer-Cosmetics/dp/BOCCHCPMYP?ref=ast_sto_dp&th=1 (Year: 2023).
 Smartake 2 Pack Stackable Makeup Organizer Drawers, amazon.com, https://www.amazon.com/SMARTAKE-Stackable-Organizer-Organizers-Organization/dp/B0CC4P1FDL?ref=ast_sto_dp&th=1 (Year: 2023).
 Sorbus Fridge Drawers—Clear Stackable Pull Out Organizer Bins, amazon.com, https://www.amazon.com/Sorbus-Fridge-Drawers-Refrigerator-Containers/dp/B0B5VMMH3V?ref=ast_sto_dp&th=1 (Year: 2022).
 Bino Stackable Clear Storage bins with Drawers for Pantry Shelf Organization, amazon.com, https://www.amazon.com/dp/B097QD168M/ref=twister_B097QDMD48?_encoding=UTF8&th=1 (Year: 2021).
 Ornafort 2Pack Fridge Organizer Bins with Pull Out Drawers Stackable Refrigerator Drawer Set, amazon.com, https://www.amazon.com/Ornafort-Organizer-Refrigerator-Containers-Organization/dp/B0CHBPJWHZ?ref=ast_sto_dp&th=1 (Year: 2023).
 “STORi Audrey Stackable Clear Bin Plastic Organizer Drawer | Organize Eyeshadow Palettes, Cosmetics, and Beauty Supplies on a Vanity”, Manufactured by “US Acrylic”; First available on Aug. 9, 2020; Site visited on Nov. 26, 2023, with link below (printout attached with submission): https://www.amazon.com/STORi-Audrey-Stackable-Cosmetic-Organizer/dp/B0C34NJSN2/ref=zg_bs_g_13861693011_scl_48/130-0803189-2722455?th=1.
 “MDesign Wide Plastic Stackable Closet Storage Organizer Bins with Front Pull Out Drawer for Cabinet, Desk, Shelf, Cupboard, Vanity or Dresser Organization—Lumiere Collection—2 Pack—Clear”; Manufactured by MetroDecor; First Available Apr. 4, 2022; Visited on Nov. 26, 2023, with link below (printout attached with submission): https://www.amazon.com/mDesign-Stackable-Organizer-Cupboard-Organization/dp/B09X5ZZHC4?ref=ast_sto_dp&th=1.

* cited by examiner

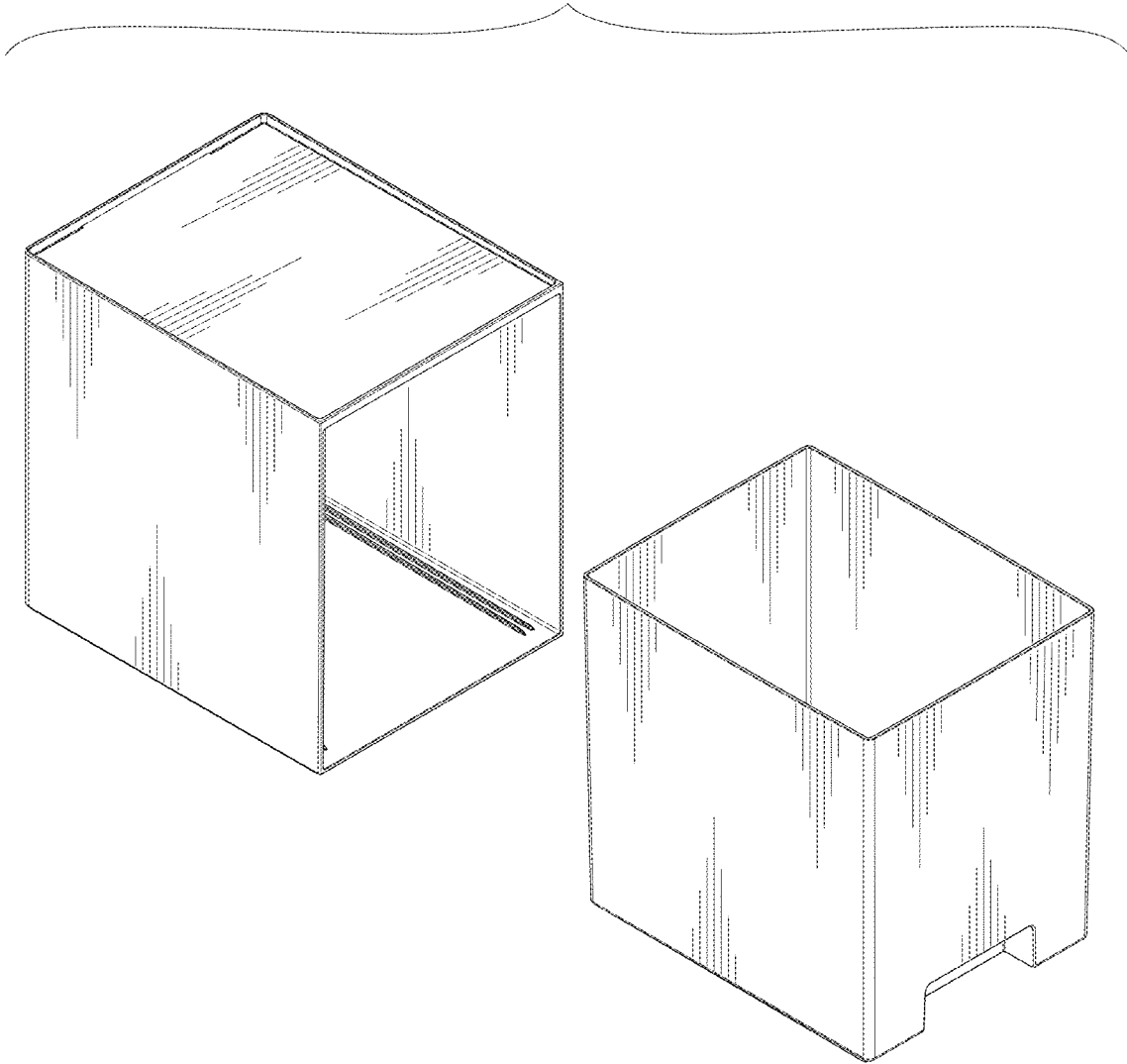


FIG.1

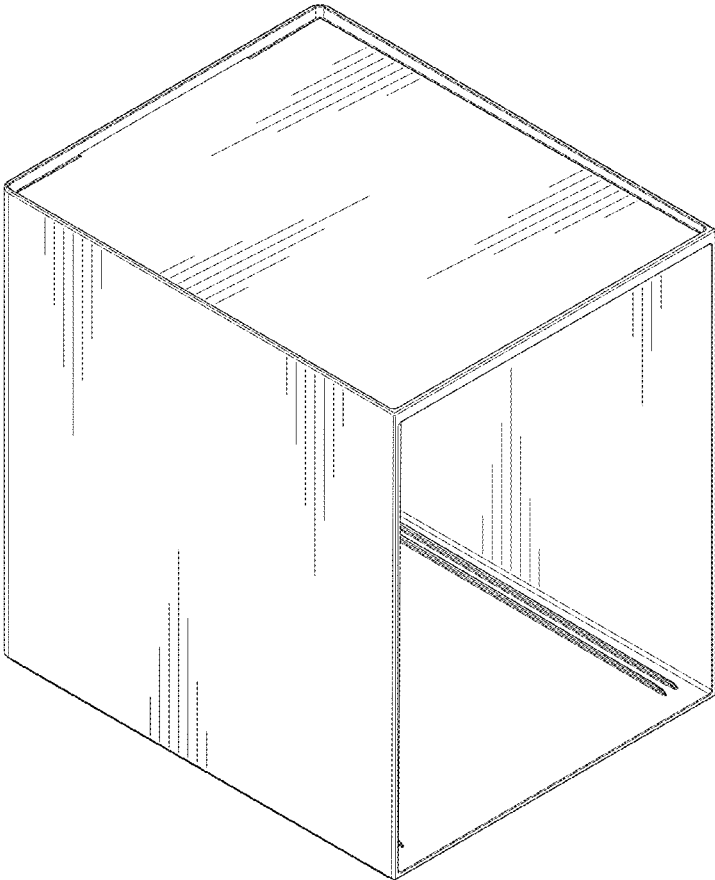


FIG.2

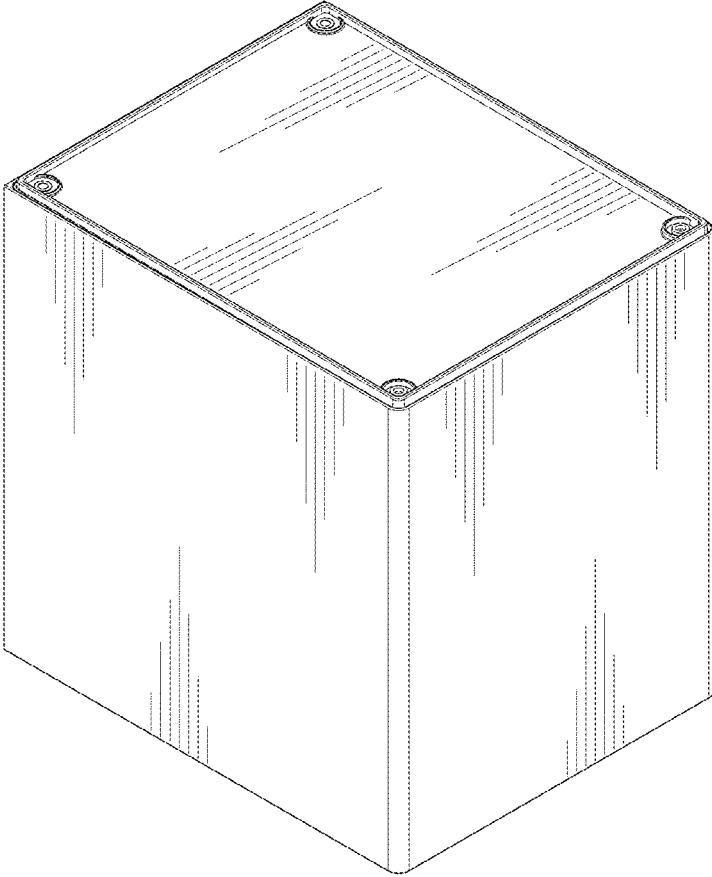


FIG.3

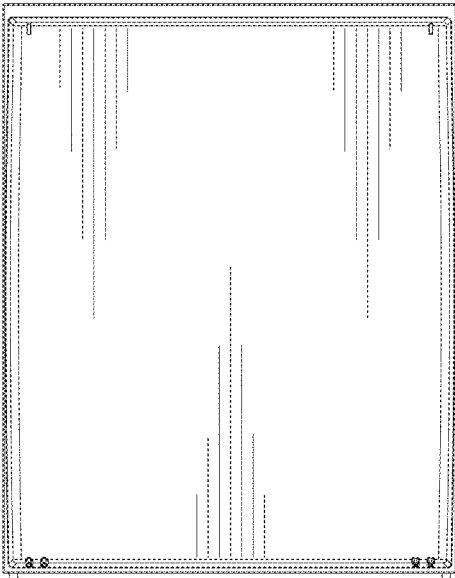


FIG.4

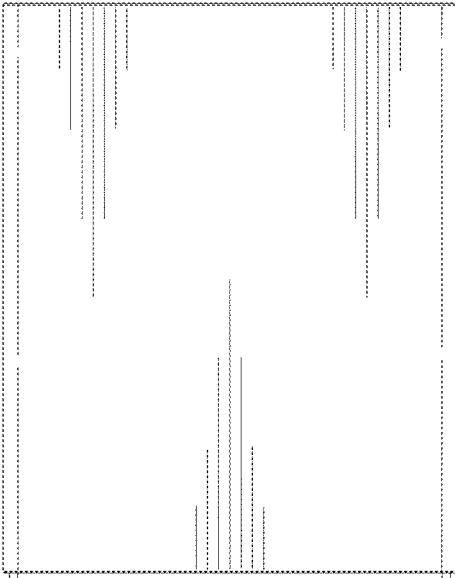


FIG.5

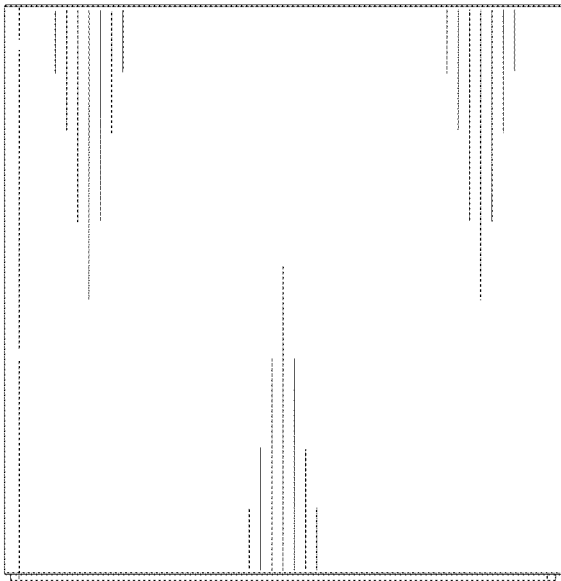


FIG.6

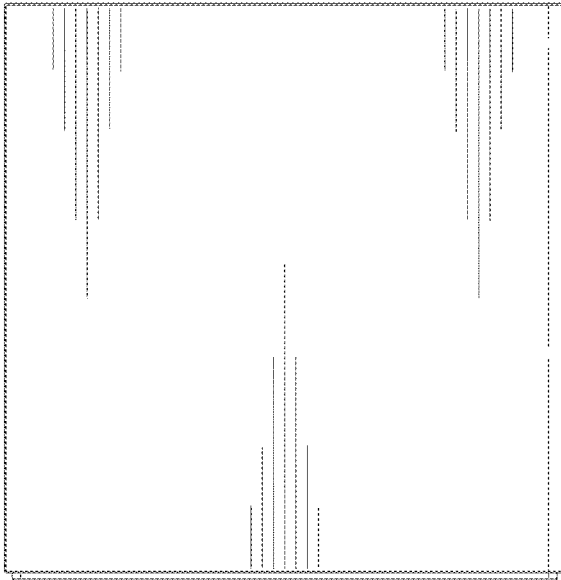


FIG.7

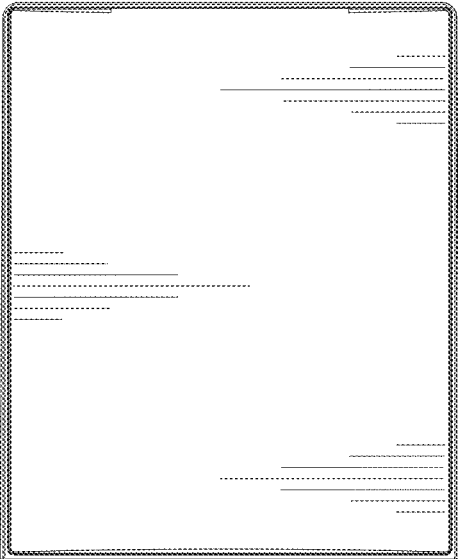


FIG.8

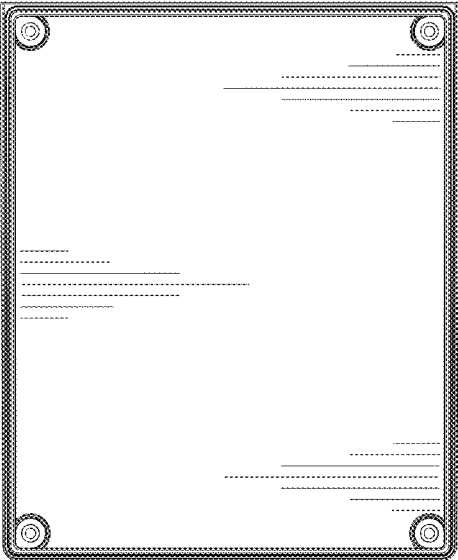


FIG.9

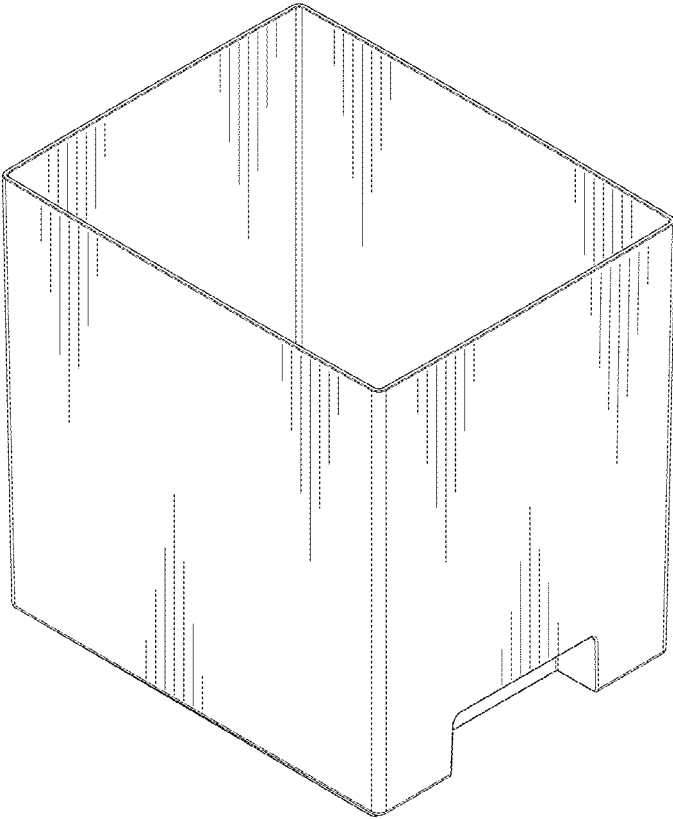


FIG.10

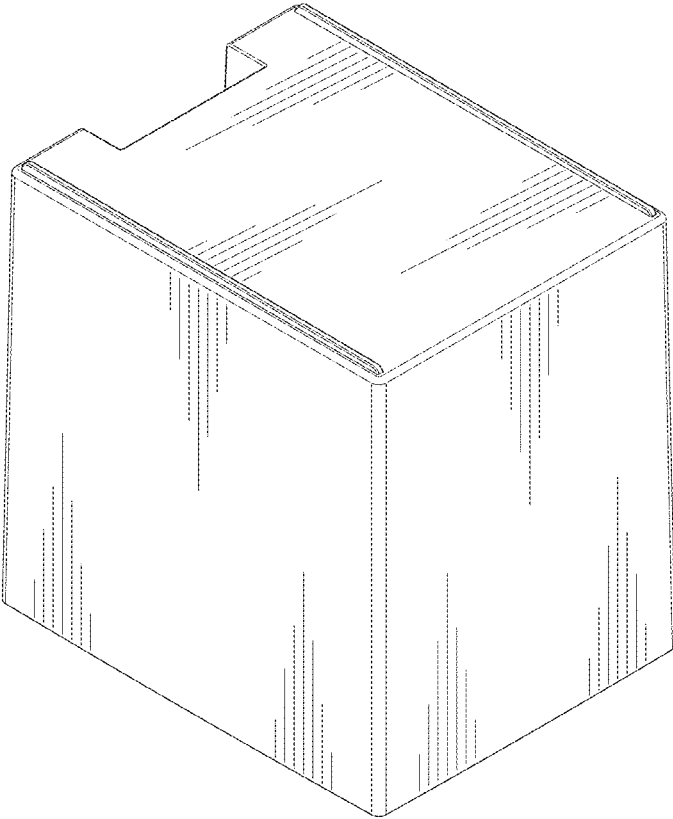


FIG.11

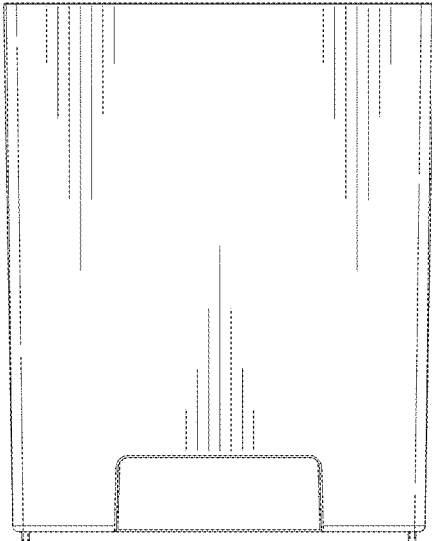


FIG.12

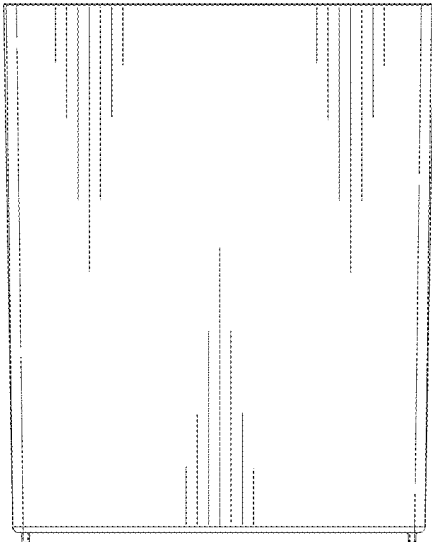


FIG.13

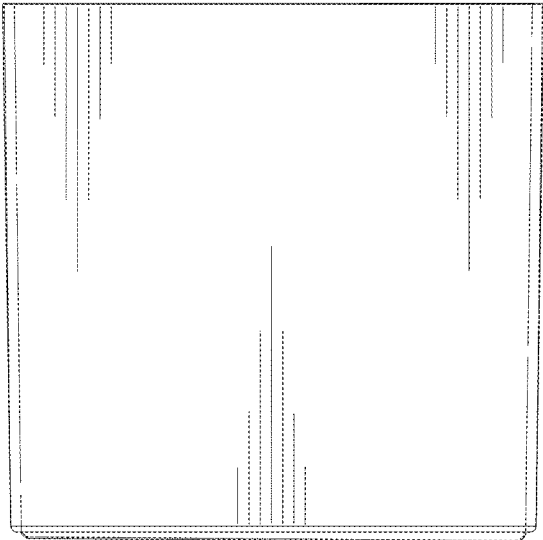


FIG.14

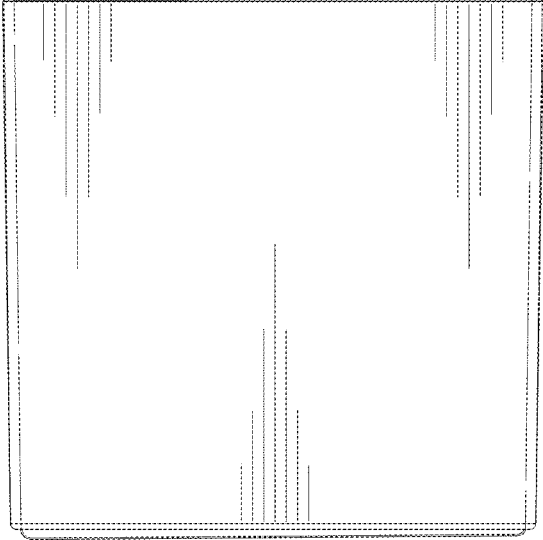


FIG.15

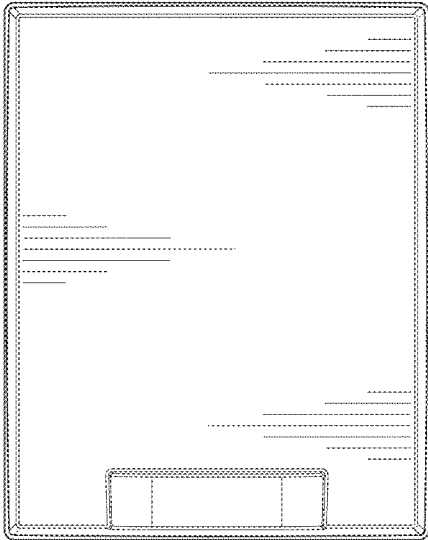


FIG.16

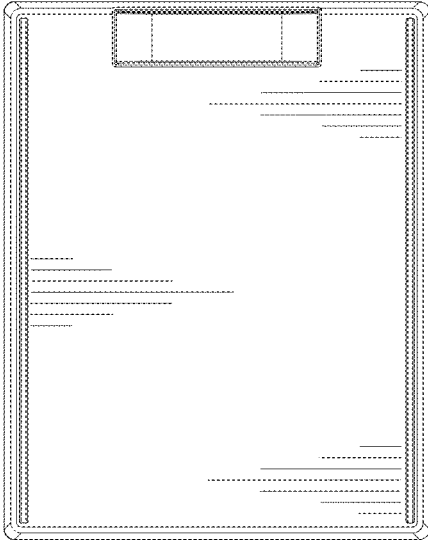


FIG.17

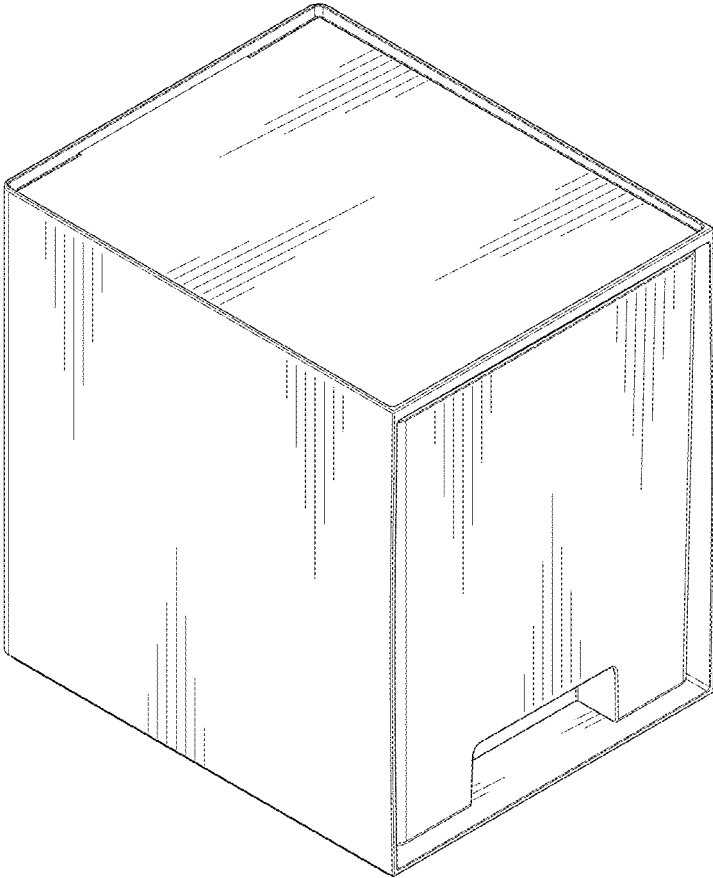


FIG.18

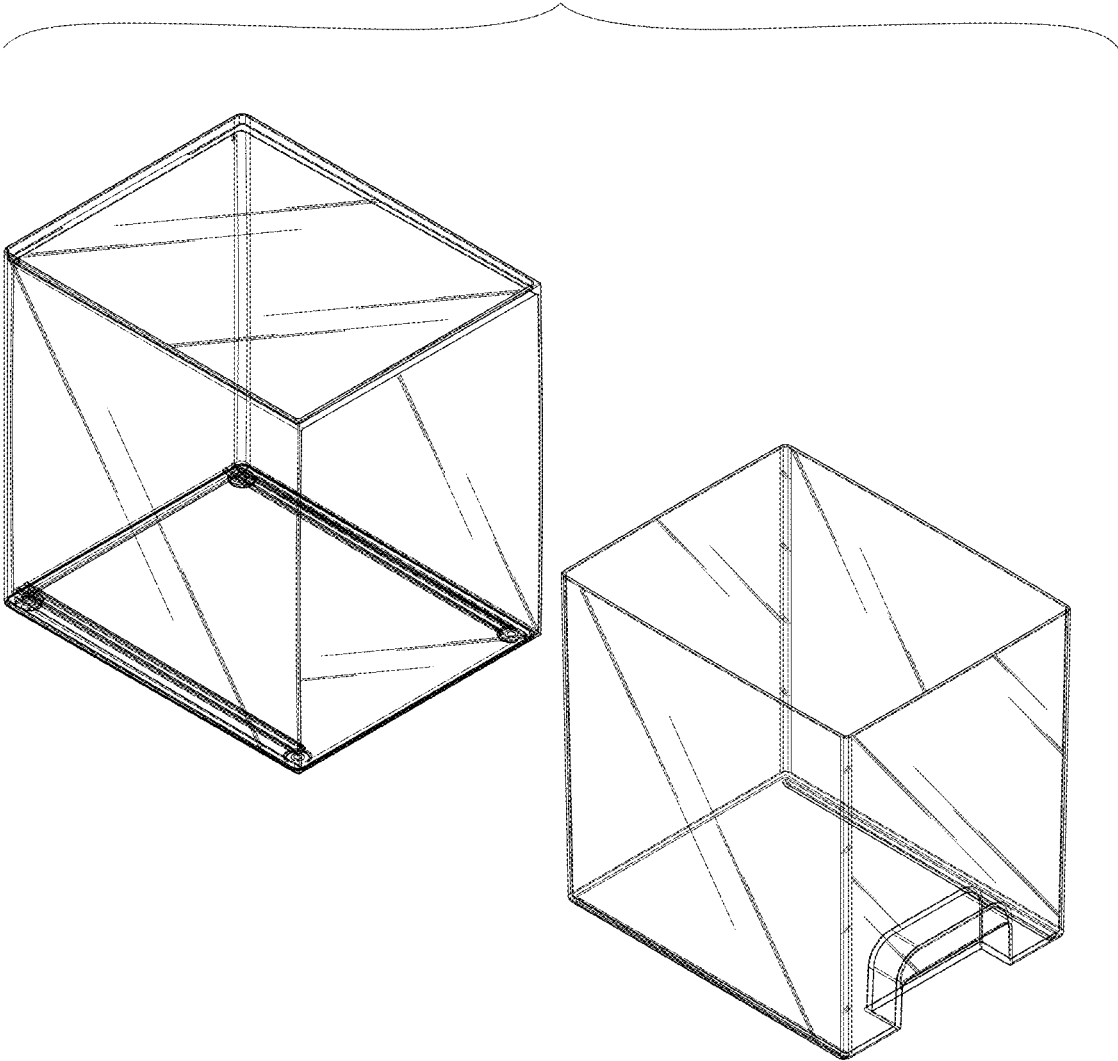


FIG.19