

(19) World Intellectual Property Organization
International Bureau



(43) International Publication Date
8 June 2006 (08.06.2006)

PCT

(10) International Publication Number
WO 2006/060789 A3

- (51) International Patent Classification:
B41J 25/308 (2006.01) *B41J 11/20* (2006.01)
- (21) International Application Number:
PCT/US2005/043993
- (22) International Filing Date:
2 December 2005 (02.12.2005)
- (25) Filing Language: English
- (26) Publication Language: English
- (30) Priority Data:
60/633,137 3 December 2004 (03.12.2004) US

CO, CR, CU, CZ, DE, DK, DM, DZ, EC, EE, EG, ES, FI, GB, GD, GE, GH, GM, HR, HU, ID, IL, IN, IS, JP, KE, KG, KM, KN, KP, KR, KZ, LC, LK, LR, LS, LT, LU, LV, LY, MA, MD, MG, MK, MN, MW, MX, MZ, NA, NG, NI, NO, NZ, OM, PG, PH, PL, PT, RO, RU, SC, SD, SE, SG, SK, SL, SM, SY, TJ, TM, TN, TR, TT, TZ, UA, UG, US, UZ, VC, VN, YU, ZA, ZM, ZW.

(84) Designated States (unless otherwise indicated, for every kind of regional protection available): ARIPO (BW, GH, GM, KE, LS, MW, MZ, NA, SD, SL, SZ, TZ, UG, ZM, ZW), Eurasian (AM, AZ, BY, KG, KZ, MD, RU, TJ, TM), European (AT, BE, BG, CH, CY, CZ, DE, DK, EE, ES, FI, FR, GB, GR, HU, IE, IS, IT, LT, LU, LV, MC, NL, PL, PT, RO, SE, SI, SK, TR), OAPI (BF, BJ, CF, CG, CI, CM, GA, GN, GQ, GW, ML, MR, NE, SN, TD, TG).

- (71) Applicant (for all designated States except US): **DI-MATIX, INC.** [US/US]; 109 Etna Road, Lebanon, NH 03766 (US).
- (72) Inventors; and
- (75) Inventors/Applicants (for US only): **BAKER, Richard** [GB/US]; 29 Elm Street West, West Lebanon, , NH 03748 (US). **DODD, Walter, Clinton** [US/US]; 773 French Meadow Rd, Springfield, VT 05156 (US).
- (74) Agents: **GAGEL, John J.** et al.; FISH & RICHARDSON P.C., P.o. Box 1022, Minneapolis, MN 55440-1022 (US).
- (81) Designated States (unless otherwise indicated, for every kind of national protection available): AE, AG, AL, AM, AT, AU, AZ, BA, BB, BG, BR, BW, BY, BZ, CA, CH, CN,

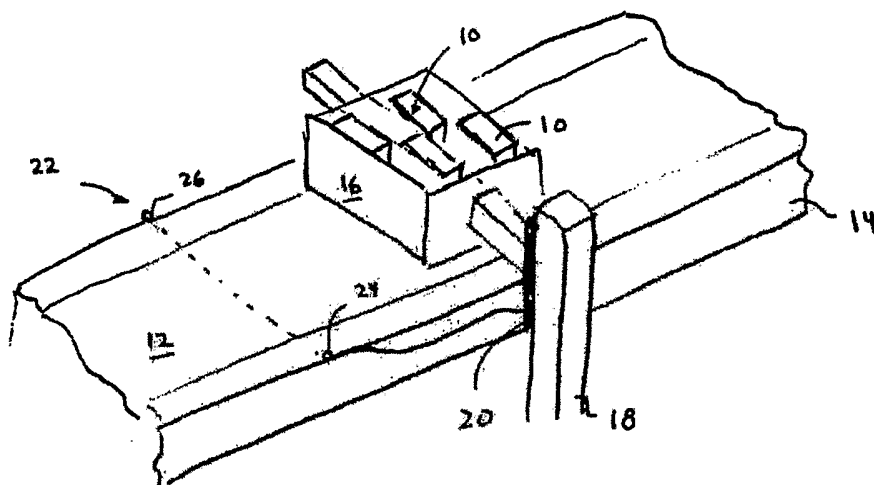
Published:
— with international search report
— before the expiration of the time limit for amending the claims and to be republished in the event of receipt of amendments

(88) Date of publication of the international search report:
19 October 2006

(15) Information about Correction:
Previous Correction:
see PCT Gazette No. 30/2006 of 27 July 2006

For two-letter codes and other abbreviations, refer to the "Guidance Notes on Codes and Abbreviations" appearing at the beginning of each regular issue of the PCT Gazette.

(54) Title: PRINTHEADS AND SYSTEMS USING PRINTHEADS



(57) Abstract: A printing apparatus comprises a jetting assembly (16) including a plurality of nozzles for ejecting droplets on a substrate moving relative to the jetting assembly, a mechanism for increasing the displacement of the jetting assembly relative to the substrate (20), and a sensor (22) configured to activate the mechanism for increasing the displacement of the jetting assembly upon detecting a predetermined dimension of the substrate surface relative to the jetting assembly.

WO 2006/060789 A3

INTERNATIONAL SEARCH REPORT

International application No.

PCT/US05/43993

A. CLASSIFICATION OF SUBJECT MATTER

IPC: **B41J 25/308(2006.01);B41J 11/20(2006.01)**

USPC: 347/8;400/55,56,57,58,59,60

According to International Patent Classification (IPC) or to both national classification and IPC

B. FIELDS SEARCHED

Minimum documentation searched (classification system followed by classification symbols)

U.S. : 347/8; 400/55,56,57,58,59,60

Documentation searched other than minimum documentation to the extent that such documents are included in the fields searched

Electronic data base consulted during the international search (name of data base and, where practicable, search terms used)

C. DOCUMENTS CONSIDERED TO BE RELEVANT

Category *	Citation of document, with indication, where appropriate, of the relevant passages	Relevant to claim No.
X --- Y	US 2004/0233244 A1 (ELGEE et al) 25 November 2004 (25.11.2004), figs. 3c, 4a, 4b, paragraphs 0015, 0035, 0037, 0038, 0039.	1,4-6,11-14 ----- 7,8,15
X	US 6,561,606 B1 (YOSHIDA) 13 May 2003 (13.05.2003), column 23.	1-3
Y	US 4,086,997 (WU) 2 May 1978 (02.05.1978), column 4, lines 17-22	7,8

Further documents are listed in the continuation of Box C.

See patent family annex.

* Special categories of cited documents:		
"A" document defining the general state of the art which is not considered to be of particular relevance	"T"	later document published after the international filing date or priority date and not in conflict with the application but cited to understand the principle or theory underlying the invention
"E" earlier application or patent published on or after the international filing date	"X"	document of particular relevance; the claimed invention cannot be considered novel or cannot be considered to involve an inventive step when the document is taken alone
"L" document which may throw doubts on priority claim(s) or which is cited to establish the publication date of another citation or other special reason (as specified)	"Y"	document of particular relevance; the claimed invention cannot be considered to involve an inventive step when the document is combined with one or more other such documents, such combination being obvious to a person skilled in the art
"O" document referring to an oral disclosure, use, exhibition or other means		
"P" document published prior to the international filing date but later than the priority date claimed	"&"	document member of the same patent family

Date of the actual completion of the international search
13 July 2006 (13.07.2006)

Date of mailing of the international search report
31 AUG 2006

Name and mailing address of the ISA/US
Mail Stop PCT, Attn: ISA/US
Commissioner for Patents
P.O. Box 1450
Alexandria, Virginia 22313-1450
Facsimile No. (571) 273-3201

Authorized officer *Chowala for Huff*
Julian D. Huffman
Telephone No. (571) 272-2147