



US00D543305S

(12) **United States Design Patent**
Wang

(10) **Patent No.:** **US D543,305 S**

(45) **Date of Patent:** **** May 22, 2007**

- (54) **LAMP FOR AN AQUARIUM**
- (75) Inventor: **Yu-Chin Wang**, Taipei (TW)
- (73) Assignee: **Eiko Electric Products Corp.**, Taipei (TW)
- (**) Term: **14 Years**
- (21) Appl. No.: **29/262,802**
- (22) Filed: **Jul. 12, 2006**
- (51) **LOC (8) Cl.** **26-05**
- (52) **U.S. Cl.** **D26/60; D26/75**
- (58) **Field of Classification Search** D26/37, D26/43, 44, 60-63, 65, 39, 51, 75; 362/98, 362/99, 101, 109-114, 191, 197, 198, 287, 362/427, 396; D22/108-110
See application file for complete search history.

- 2,483,165 A * 9/1949 Young 362/217
- D258,009 S * 1/1981 Wotowiec et al. D26/75
- D278,555 S * 4/1985 Cummings D26/60
- D424,230 S * 5/2000 Noh D26/76

* cited by examiner

Primary Examiner—Clare E Heflin

(57) **CLAIM**

The ornamental design for a lamp for an aquarium, as shown and described.

DESCRIPTION

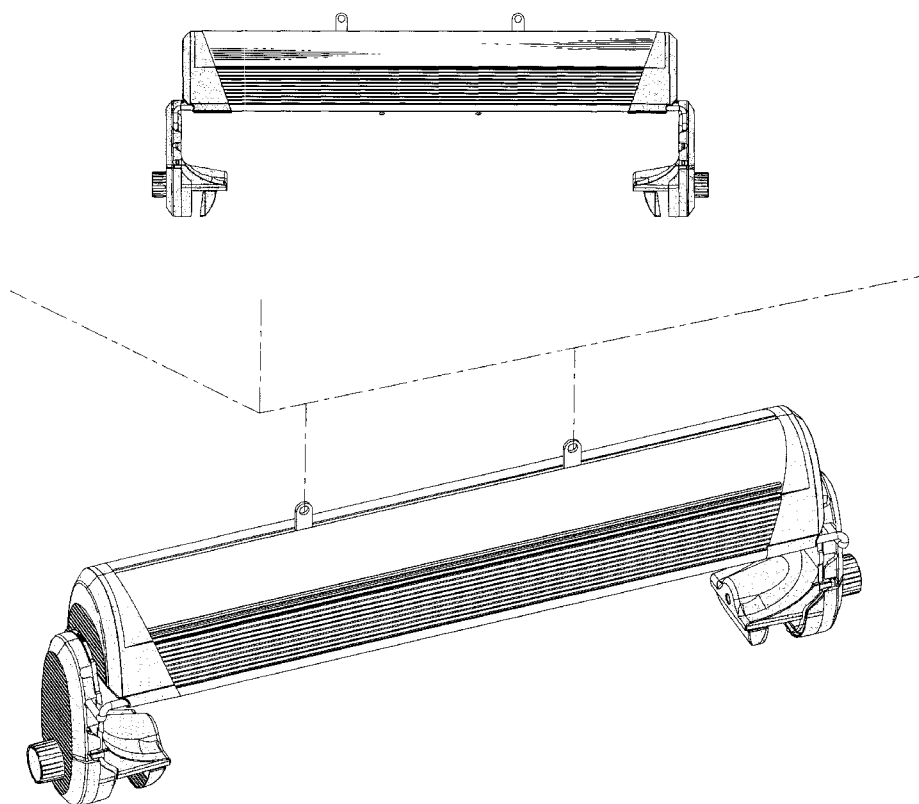
FIG. 1 is a perspective view of a lamp for an aquarium showing my new design;
 FIG. 2 is a front elevation view thereof, the rear view being a mirror image of FIG. 2;
 FIG. 3 is a left side elevation view thereof, the right view being a mirror image of FIG. 3;
 FIG. 4 is a top view thereof;
 FIG. 5 is a bottom view thereof;
 FIG. 6 is a perspective view of a lamp for an aquarium that is hung up; and,
 FIG. 7 is a perspective view of the lamp on the top of an aquarium.
 The broken lines shown on the drawings are for illustrative purposes only and form no part of the claimed design.

(56) **References Cited**

U.S. PATENT DOCUMENTS

- D107,343 S * 12/1937 Nemeroff D26/60
- D112,068 S * 11/1938 Holden D26/78
- D124,795 S * 1/1941 Livers D26/60
- D128,284 S * 7/1941 Herr D26/63
- 2,252,340 A * 8/1941 Bryant et al. 362/217
- D130,127 S * 10/1941 Ludwig D26/60
- D147,374 S * 8/1947 Nemeroff D26/60

1 Claim, 5 Drawing Sheets



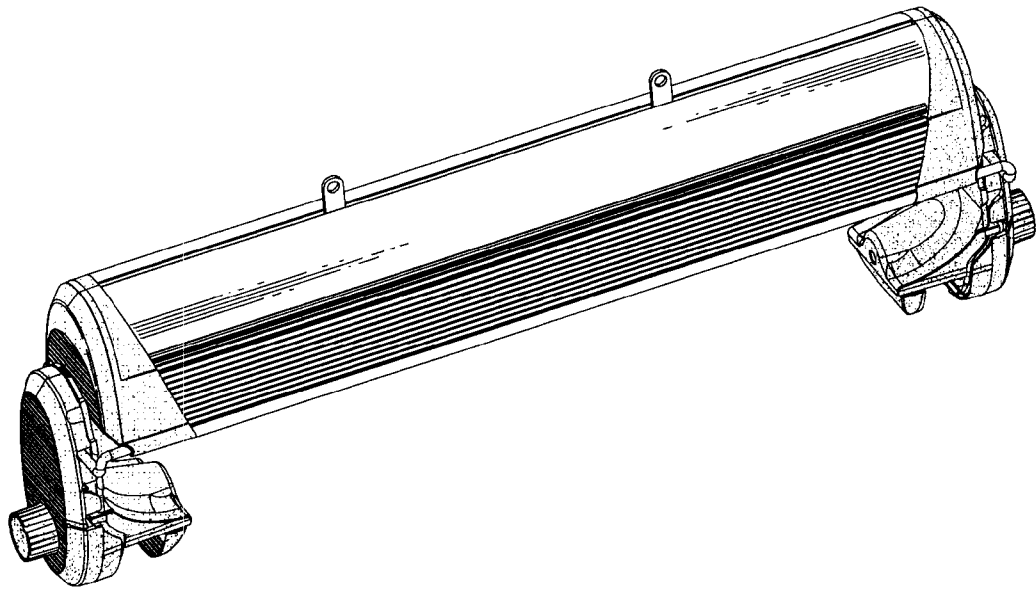


FIG. 1

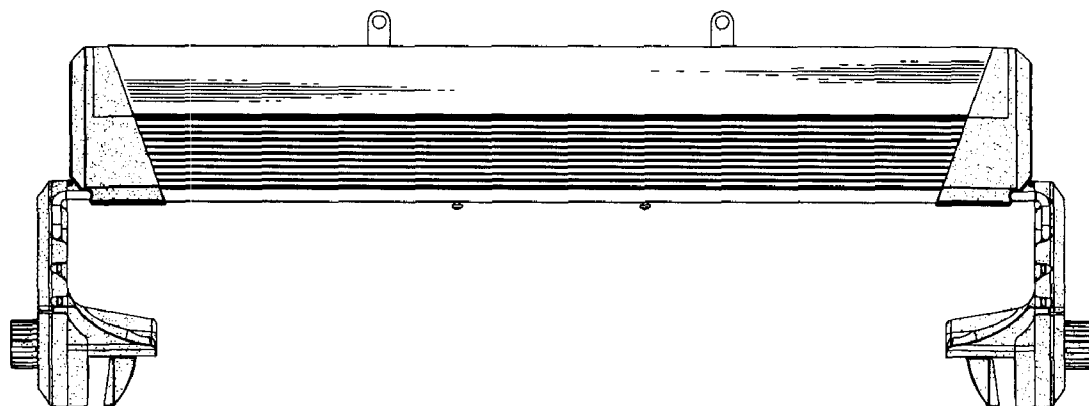


FIG. 2

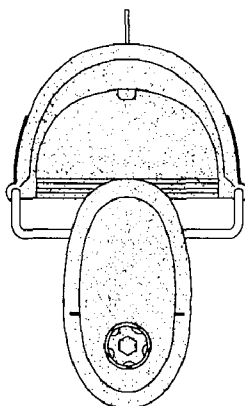


FIG. 3

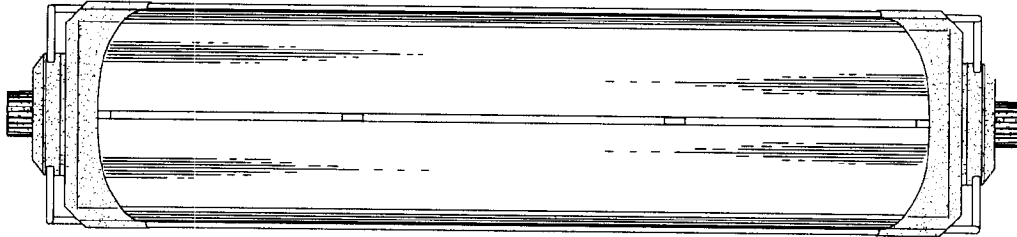


FIG. 4

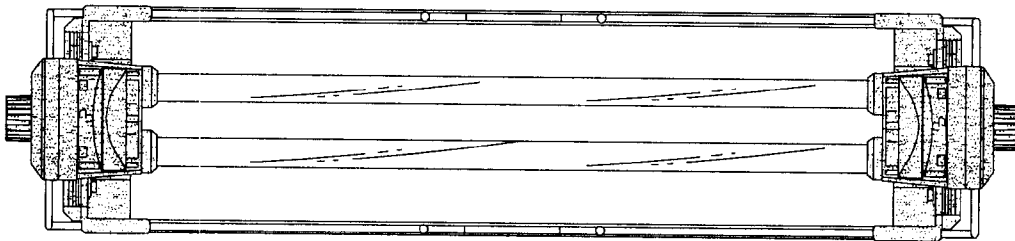


FIG. 5

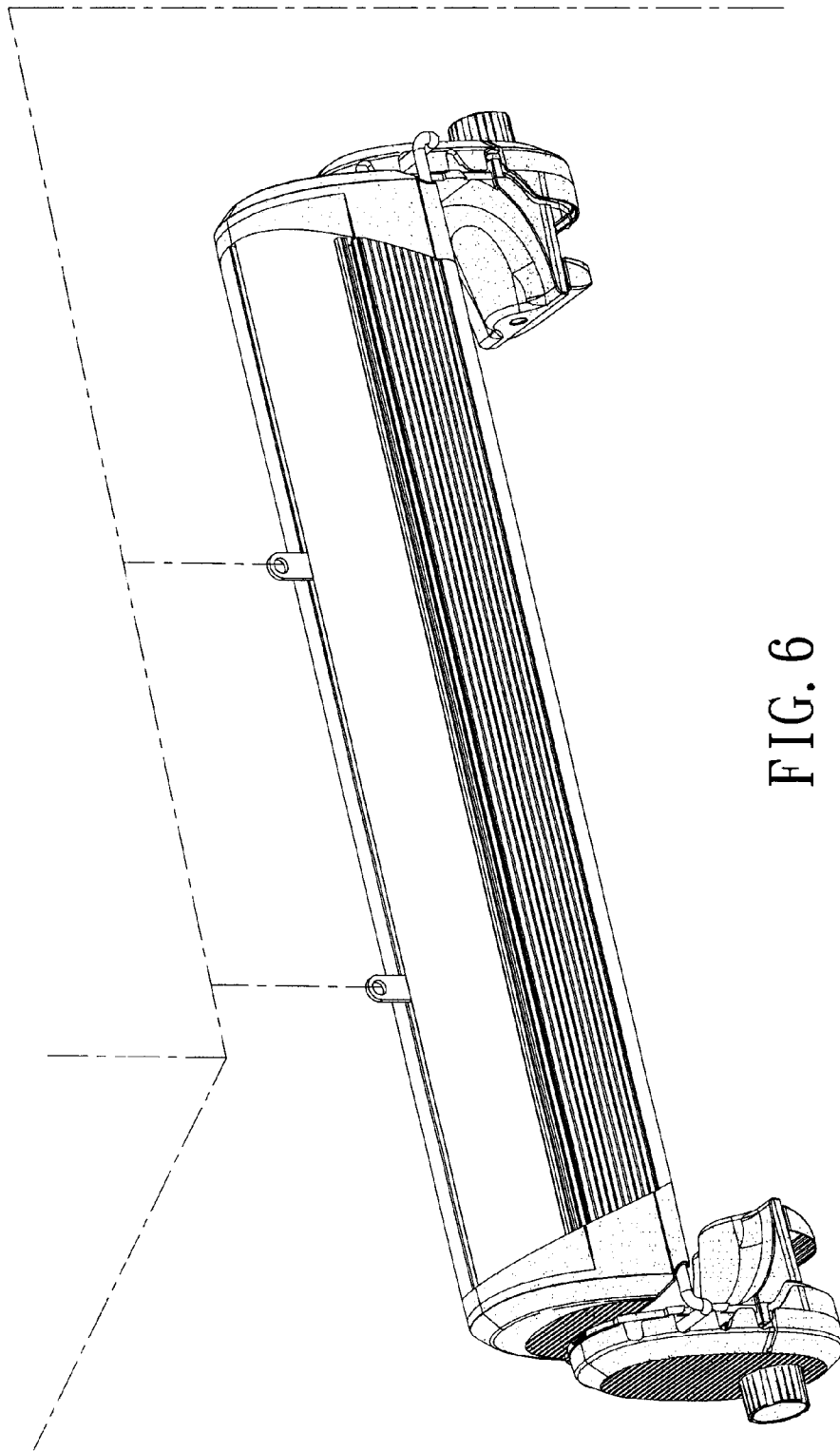


FIG. 6

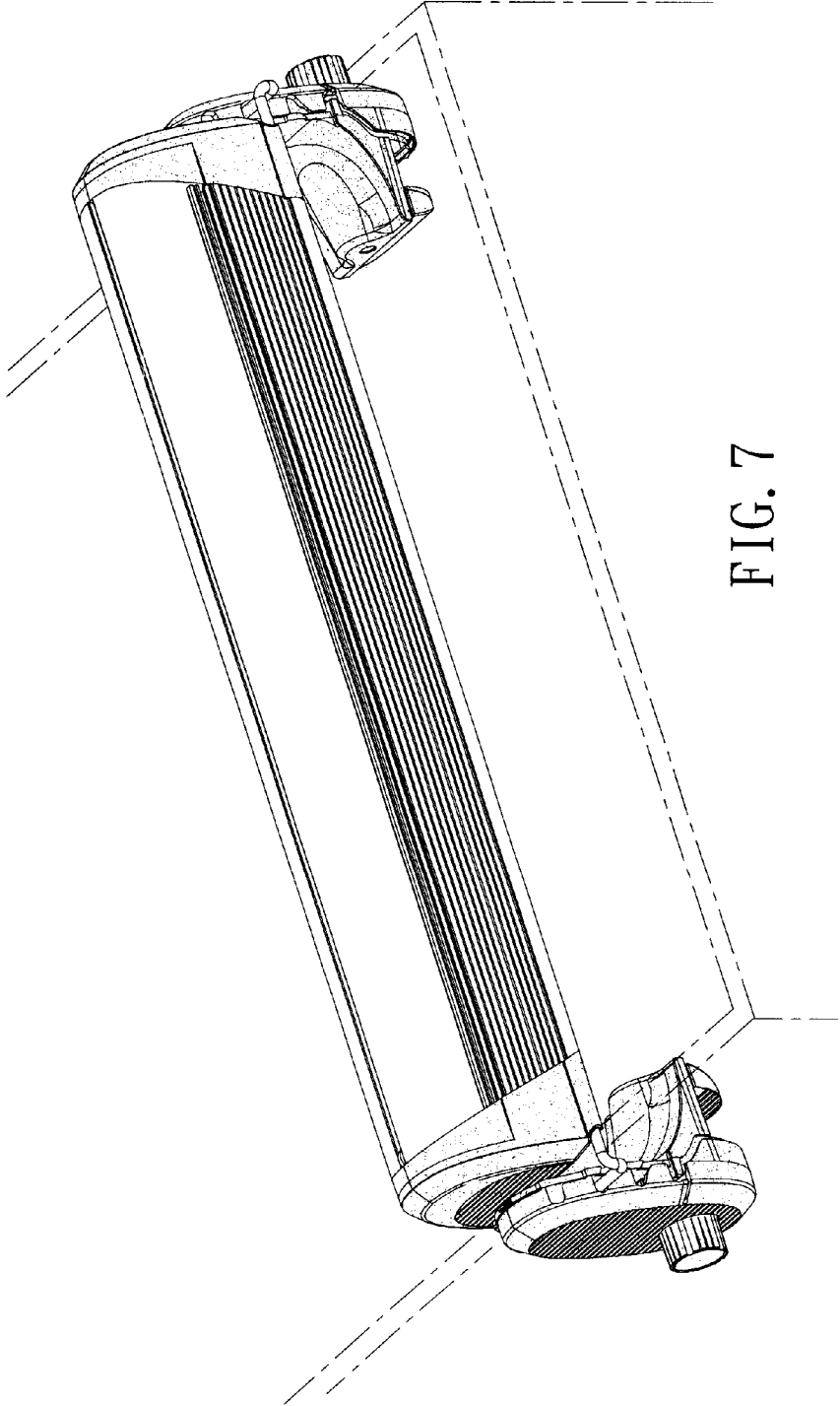


FIG. 7