



(51) International Patent Classification:  
D03C 3/24 (2006.01)

(21) International Application Number:

PCT/IB2013/002577

(22) International Filing Date:

18 November 2013 (18.11.2013)

(25) Filing Language:

Dutch

(26) Publication Language:

English

(30) Priority Data:

BE-2012/0779 19 November 2012 (19.11.2012) BE

(71) Applicant: NV MICHEL VAN DE WIELE [BE/BE];  
Michel Vandewielestraat 7, B-8510 Kortrijk / Marke (BE).

(72) Inventors: VANDERJEUGT, Bram; Pannenhuisstraat  
45, B-8900 Ieper (BE). DEVLOO, Günther; Pastoor

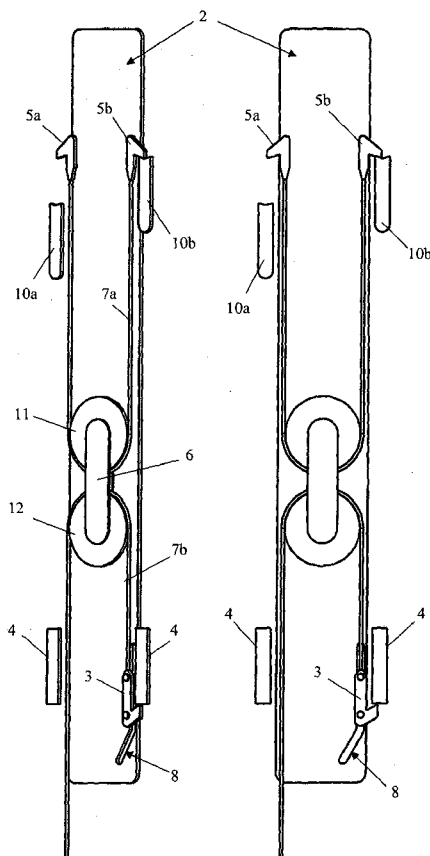
Denyslaan 56, 8810 Lichtervelde (BE). GRIFFITHS,  
John, Andrew; 17 Stanley Grove, NE7 7RA High Neaton,  
Newcastle (GB).

(74) Agent: CHIELENS, Kristof; Kob Nv, President  
Kennedypark 31 C, B-8500 Kortrijk (BE).

(81) Designated States (unless otherwise indicated, for every  
kind of national protection available): AE, AG, AL, AM,  
AO, AT, AU, AZ, BA, BB, BG, BH, BN, BR, BW, BY,  
BZ, CA, CH, CL, CN, CO, CR, CU, CZ, DE, DK, DM,  
DO, DZ, EC, EE, EG, ES, FI, GB, GD, GE, GH, GM, GT,  
HN, HR, HU, ID, IL, IN, IR, IS, JP, KE, KG, KN, KP, KR,  
KZ, LA, LC, LK, LR, LS, LT, LU, LY, MA, MD, ME,  
MG, MK, MN, MW, MX, MY, MZ, NA, NG, NI, NO, NZ,  
OM, PA, PE, PG, PH, PL, PT, QA, RO, RS, RU, RW, SA,  
SC, SD, SE, SG, SK, SL, SM, ST, SV, SY, TH, TJ, TM,  
TN, TR, TT, TZ, UA, UG, US, UZ, VC, VN, ZA, ZM,  
ZW.

[Continued on next page]

(54) Title: MODULE SUITABLE FOR INSTALLATION IN A JACQUARD LOOM



**Fig. 3a**

(57) Abstract: The present invention provides a module (1) suitable for installation in a jacquard loom, comprising at least one partition (2) provided for guiding shed-forming elements, wherein the shed-forming elements comprise at least one anchor element (3) which is configured to be held pressed against a contact profile (4) of the jacquard loom when the module (1) has been installed in the jacquard loom, wherein said anchor element (3) is displaceable from a first position of use to a second removal position for removing the module (1) from the jacquard loom.



**(84) Designated States** (*unless otherwise indicated, for every kind of regional protection available*): ARIPO (BW, GH, GM, KE, LR, LS, MW, MZ, NA, RW, SD, SL, SZ, TZ, UG, ZM, ZW), Eurasian (AM, AZ, BY, KG, KZ, RU, TJ, TM), European (AL, AT, BE, BG, CH, CY, CZ, DE, DK, EE, ES, FI, FR, GB, GR, HR, HU, IE, IS, IT, LT, LU, LV, MC, MK, MT, NL, NO, PL, PT, RO, RS, SE, SI, SK, SM, TR), OAPI (BF, BJ, CF, CG, CI, CM, GA, GN, GQ, GW, KM, ML, MR, NE, SN, TD, TG).

**Declarations under Rule 4.17:**

— *of inventorship (Rule 4.17(iv))*

**Published:**

— *with international search report (Art. 21(3))*

**(88) Date of publication of the international search report:**

30 October 2014

INTERNATIONAL SEARCH REPORT

International application No  
PCT/IB2013/002577

A. CLASSIFICATION OF SUBJECT MATTER  
INV. D03C3/24  
ADD.  
According to International Patent Classification (IPC) or to both national classification and IPC

B. FIELDS SEARCHED  
Minimum documentation searched (classification system followed by classification symbols)  
D03C  
Documentation searched other than minimum documentation to the extent that such documents are included in the fields searched

Electronic data base consulted during the international search (name of data base and, where practicable, search terms used)  
EPO-Internal, WPI Data

C. DOCUMENTS CONSIDERED TO BE RELEVANT		
Category*	Citation of document, with indication, where appropriate, of the relevant passages	Relevant to claim No.
A	EP 0 214 075 A1 (STAUBLI VERDOL [FR]) 11 March 1987 (1987-03-11) cited in the application column 2, lines 55-57 column 3, line 44 - column 4, line 9 figures 1-7	1-12
A	DE 195 47 764 A1 (WIELE MICHEL VAN DE NV [BE]) 27 June 1996 (1996-06-27) column 6, line 45 - column 7, line 28 column 7, lines 51-55 figures 1-3	1-12

Further documents are listed in the continuation of Box C.

See patent family annex.

\* Special categories of cited documents :

- "A" document defining the general state of the art which is not considered to be of particular relevance
- "E" earlier application or patent but published on or after the international filing date
- "L" document which may throw doubts on priority claim(s) or which is cited to establish the publication date of another citation or other special reason (as specified)
- "O" document referring to an oral disclosure, use, exhibition or other means
- "P" document published prior to the international filing date but later than the priority date claimed

- "T" later document published after the international filing date or priority date and not in conflict with the application but cited to understand the principle or theory underlying the invention
- "X" document of particular relevance; the claimed invention cannot be considered novel or cannot be considered to involve an inventive step when the document is taken alone
- "Y" document of particular relevance; the claimed invention cannot be considered to involve an inventive step when the document is combined with one or more other such documents, such combination being obvious to a person skilled in the art
- "&" document member of the same patent family

Date of the actual completion of the international search  
9 July 2014

Date of mailing of the international search report  
18/07/2014

Name and mailing address of the ISA/  
European Patent Office, P.B. 5818 Patentlaan 2  
NL - 2280 HV Rijswijk  
Tel. (+31-70) 340-2040,  
Fax: (+31-70) 340-3016

Authorized officer  
Louter, Petrus

# INTERNATIONAL SEARCH REPORT

Information on patent family members

International application No

PCT/IB2013/002577

Patent document cited in search report	Publication date	Patent family member(s)	Publication date
EP 0214075	A1	11-03-1987	
		DE 3661553 D1	02-02-1989
		EP 0214075 A1	11-03-1987
		ES 2001371 A6	16-05-1988
		FR 2586432 A1	27-02-1987
		JP H0248659 B2	25-10-1990
		JP S6245746 A	27-02-1987
		US 4739806 A	26-04-1988
-----			
DE 19547764	A1	27-06-1996	
		BE 1008974 A5	01-10-1996
		DE 19547764 A1	27-06-1996
		FR 2728279 A1	21-06-1996
		IT T0951016 A1	20-06-1996
		US 5868173 A	09-02-1999
-----			