



US0D1027936S

(12) **United States Design Patent**  
**Lin et al.**

(10) **Patent No.:** **US D1,027,936 S**

(45) **Date of Patent:** **\*\* May 21, 2024**

(54) **NOTEBOOK COMPUTER**

(71) Applicants: **Che-Hsien Lin**, Taipei (TW); **Ko-Yen Lu**, Taipei (TW)

(72) Inventors: **Che-Hsien Lin**, Taipei (TW); **Ko-Yen Lu**, Taipei (TW)

(73) Assignee: **COMPAL ELECTRONICS, INC.**, Taipei (TW)

(\*\*) Term: **15 Years**

(21) Appl. No.: **29/680,043**

(22) Filed: **Feb. 13, 2019**

(51) **LOC (14) Cl.** ..... **14-02**

(52) **U.S. Cl.**  
USPC ..... **D14/315**

(58) **Field of Classification Search**  
USPC ..... D14/323, 341, 371, 376, 432-433, 439,  
D14/314-316; D8/306, 321, 323, 325,  
D8/329; D20/43

(Continued)

(56) **References Cited**

**U.S. PATENT DOCUMENTS**

D30,721 S \* 5/1899 Decker ..... D8/323  
5,200,913 A \* 4/1993 Hawkins ..... G06F 1/1615  
345/168

(Continued)

**FOREIGN PATENT DOCUMENTS**

CN 305391481 \* 10/2019  
CN 305391483 \* 10/2019

(Continued)

**OTHER PUBLICATIONS**

Swift 5 14" Clamshell Notebook, Acer, acer.com, author and date  
unlisted © 2020 Acer, Inc., online, site visited Aug. 28, 2020.  
Available at URL: <https://www.acer.com/ac/en/US/content/series/swift5> (Year: 2020).\*

(Continued)

*Primary Examiner* — Michelle E. Wilson  
*Assistant Examiner* — Altaira J Swangin  
(74) *Attorney, Agent, or Firm* — JCIPRNET

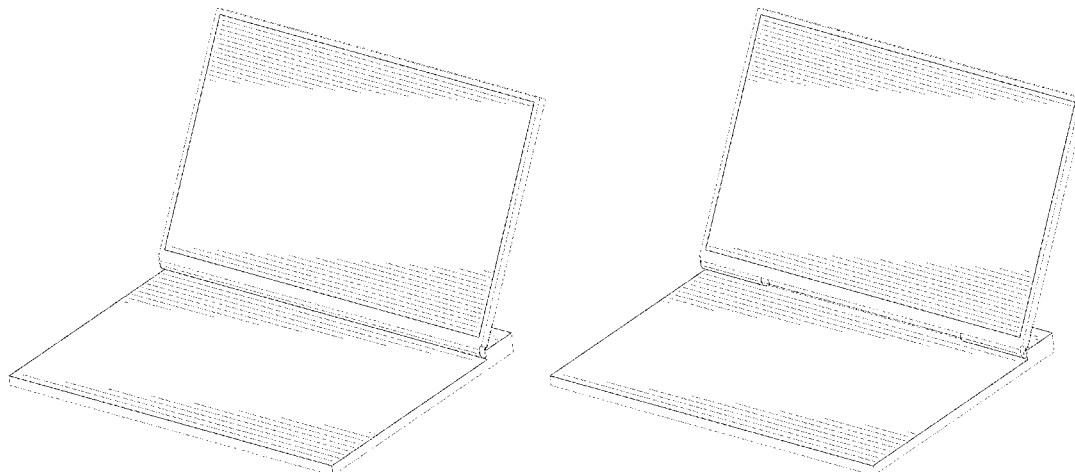
(57) **CLAIM**

The ornamental design for a notebook computer, as shown and described.

**DESCRIPTION**

FIG. 1 is a perspective view of a notebook computer showing a first embodiment of our new design; FIG. 2 is a front view of the first embodiment; FIG. 3 is a rear view of the first embodiment; FIG. 4 is a left side view of the first embodiment; FIG. 5 is a right side view of the first embodiment; FIG. 6 is a top view of the first embodiment; FIG. 7 is a bottom view of the first embodiment; FIG. 8 is a perspective view of the first embodiment in a state of use in which the curved surface is less exposed than in FIGS. 1-7; FIG. 9 is a perspective view of the first embodiment in another state of use in which the curved surface is more exposed than in FIGS. 1-8; FIG. 10 is a perspective view of a notebook computer showing a second embodiment of our new design; FIG. 11 is a front view of the second embodiment; FIG. 12 is a rear view of the second embodiment; FIG. 13 is a left side view of the second embodiment; FIG. 14 is a right side view of the second embodiment; FIG. 15 is a top view of the second embodiment; FIG. 16 is a bottom view of the second embodiment; FIG. 17 is a perspective view of the second embodiment in a state of use in which the curved surface is less exposed than in FIGS. 10-16; and, FIG. 18 is a perspective view of the second embodiment in another state of use in which the curved surface is more exposed than in FIGS. 10-17.

**1 Claim, 18 Drawing Sheets**



- (58) **Field of Classification Search**  
 CPC ..... B41J 5/00; B41J 5/10; B41J 5/12; E05D  
 3/00; E05D 3/02; E05D 3/04  
 See application file for complete search history.

(56) **References Cited**

U.S. PATENT DOCUMENTS

5,264,992 A \* 11/1993 Hogdahl ..... G06F 1/1656  
 428/317.1  
 D434,773 S \* 12/2000 Suzuki ..... D14/439  
 D435,047 S \* 12/2000 Suzuki ..... D14/439  
 D449,302 S \* 10/2001 Jung ..... D14/373  
 D538,287 S \* 3/2007 Kawase ..... D14/439  
 7,349,201 B2 \* 3/2008 Tatsukami ..... G06F 1/1635  
 361/679.55  
 D603,398 S \* 11/2009 Watson ..... D14/345  
 D626,124 S \* 10/2010 Chyan ..... D14/341  
 D639,802 S \* 6/2011 Brooks ..... D14/315  
 8,203,832 B2 \* 6/2012 Szabolesi ..... G06F 1/1669  
 361/679.04  
 D667,824 S \* 9/2012 Ashcraft ..... D14/315  
 D669,467 S \* 10/2012 Ballout ..... D14/336  
 D683,343 S \* 5/2013 Wen ..... D14/315  
 D685,342 S \* 7/2013 Cetera ..... D14/203.4  
 D687,601 S \* 8/2013 Ko ..... D28/83  
 8,531,827 B2 \* 9/2013 Huang ..... G06F 1/1654  
 361/679.29  
 D691,129 S \* 10/2013 Akana ..... D14/315  
 D694,754 S \* 12/2013 Nakada ..... D14/373  
 D699,240 S \* 2/2014 Kim ..... D14/341  
 D705,771 S \* 5/2014 Kubota ..... D14/315  
 D708,604 S \* 7/2014 Tanner ..... D14/315  
 D719,540 S \* 12/2014 Lee ..... D14/345  
 D719,541 S \* 12/2014 Lee ..... D14/345  
 D719,542 S \* 12/2014 Lee ..... D14/345  
 D727,310 S \* 4/2015 Senatori ..... D14/315  
 D727,734 S \* 4/2015 Kwak ..... D9/456  
 D736,760 S \* 8/2015 Tanner ..... D14/315  
 D736,761 S \* 8/2015 Tanner ..... D14/315  
 9,107,287 B2 \* 8/2015 Ryu ..... G06F 1/1652  
 D741,856 S \* 10/2015 Yamazaki ..... D14/341  
 D745,516 S \* 12/2015 Yamazaki ..... D14/341  
 D761,254 S \* 7/2016 Yamazaki ..... D14/341  
 D767,530 S \* 9/2016 Bae ..... D14/203.3  
 D768,621 S \* 10/2016 Park ..... D14/315  
 D768,624 S \* 10/2016 Bae ..... D14/374  
 D775,624 S \* 1/2017 Kong ..... D14/315  
 D798,304 S \* 9/2017 Sung ..... D14/447  
 D802,583 S \* 11/2017 Oakley ..... D14/315  
 D815,088 S \* 4/2018 Fujimoto ..... D14/316  
 D819,630 S \* 6/2018 Prushinskiy ..... D14/345  
 D829,708 S \* 10/2018 Wu ..... D14/315  
 D833,431 S \* 11/2018 Bae ..... D14/345  
 D839,271 S \* 1/2019 King-Murrey ..... D14/432  
 D847,134 S \* 4/2019 Yamazaki ..... D14/345  
 D848,416 S \* 5/2019 Yamazaki ..... D14/345  
 D863,935 S \* 10/2019 Aoki ..... G06F 1/162  
 D8/329  
 D869,457 S \* 12/2019 Tzou ..... D14/317  
 D869,458 S \* 12/2019 Tzou ..... D14/317  
 D873,818 S \* 1/2020 Jiang ..... D14/341  
 D874,457 S \* 2/2020 Oakley ..... D14/327

D885,379 S \* 5/2020 Wang ..... D14/327  
 D888,048 S \* 6/2020 Akana ..... D14/315  
 D890,748 S \* 7/2020 Lin ..... D14/327  
 D900,090 S \* 10/2020 Xiao ..... D14/318  
 D915,394 S \* 4/2021 Lin ..... D14/327  
 D915,395 S \* 4/2021 Wang ..... D14/327  
 D916,077 S \* 4/2021 Wang ..... D14/315  
 D917,458 S \* 4/2021 Yang ..... D14/315  
 D917,460 S \* 4/2021 Wang ..... D14/327  
 D925,330 S \* 7/2021 Leimkuehler ..... D8/323  
 D928,143 S \* 8/2021 Yeom ..... D14/315  
 D932,464 S \* 10/2021 Yen ..... D14/214  
 D939,321 S \* 12/2021 Leimkuehler ..... D8/323  
 D941,813 S \* 1/2022 Cho ..... D14/345  
 D942,975 S \* 2/2022 Huang ..... D14/316  
 D947,173 S \* 3/2022 Yang ..... D14/374  
 D948,500 S \* 4/2022 Huang ..... D14/316  
 D950,565 S \* 5/2022 Ku ..... D14/439  
 11,347,331 B2 \* 5/2022 Files ..... G06F 3/03545  
 2002/0141146 A1 \* 10/2002 Mustoe ..... G06F 1/1649  
 361/679.04  
 2004/0160736 A1 \* 8/2004 Lin ..... G06F 1/1616  
 361/679.04  
 2007/0097014 A1 \* 5/2007 Solomon ..... G06F 1/1616  
 345/1.1  
 2008/0024388 A1 \* 1/2008 Bruce ..... G06F 1/1622  
 345/1.1  
 2010/0085274 A1 \* 4/2010 Kilpatrick, II ..... G06F 1/1641  
 345/1.3  
 2011/0126141 A1 \* 5/2011 King ..... H04M 1/0247  
 715/847  
 2012/0262866 A1 \* 10/2012 Marshall ..... F16M 11/2021  
 361/679.08  
 2012/0314359 A1 \* 12/2012 Hsieh ..... G06F 1/1618  
 361/679.01  
 2014/0160654 A1 \* 6/2014 Yoo ..... G06F 1/1637  
 361/679.12  
 2014/0304947 A1 \* 10/2014 Wang ..... G06F 1/1681  
 16/325  
 2015/0277506 A1 \* 10/2015 Cheah ..... G06F 1/1662  
 361/679.28  
 2017/0153663 A1 \* 6/2017 Aurongzeb ..... G06F 1/1637  
 2017/0322598 A1 \* 11/2017 Fujimoto ..... G06F 1/1626  
 2018/0210498 A1 \* 7/2018 Ishikawa ..... G06F 1/1637  
 2018/0210499 A1 \* 7/2018 Tsubaki ..... E05D 3/12  
 2020/0249730 A1 \* 8/2020 Lin ..... G06F 1/1686  
 2022/0179461 A1 \* 6/2022 North ..... G06F 1/1618

FOREIGN PATENT DOCUMENTS

CN 305836049 \* 6/2020  
 KR 300817825.0000 \* 9/2015

OTHER PUBLICATIONS

15.6" Ultra-Lightweight Laptop, LG, lg.com, author unlisted, published on Jan. 7, 2017 per wayback machine © 2009-2020 LG Electronics, online, site visited Aug. 28, 2020. Available at URL: <https://www.lg.com/us/laptops/lg-15Z970-UAAS5U1-ultra-slim-laptop#> (Year: 2017).\*

\* cited by examiner

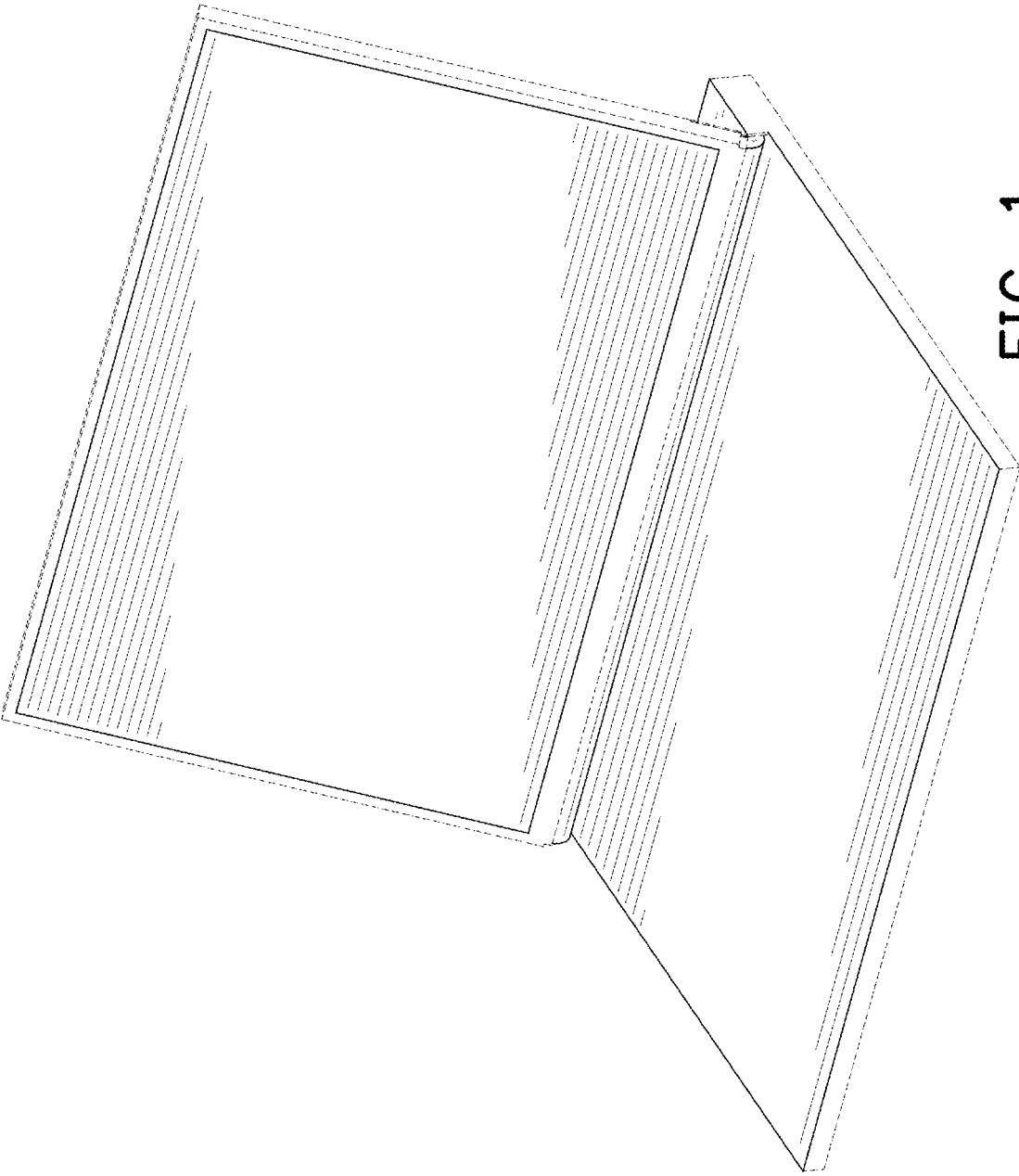


FIG. 1

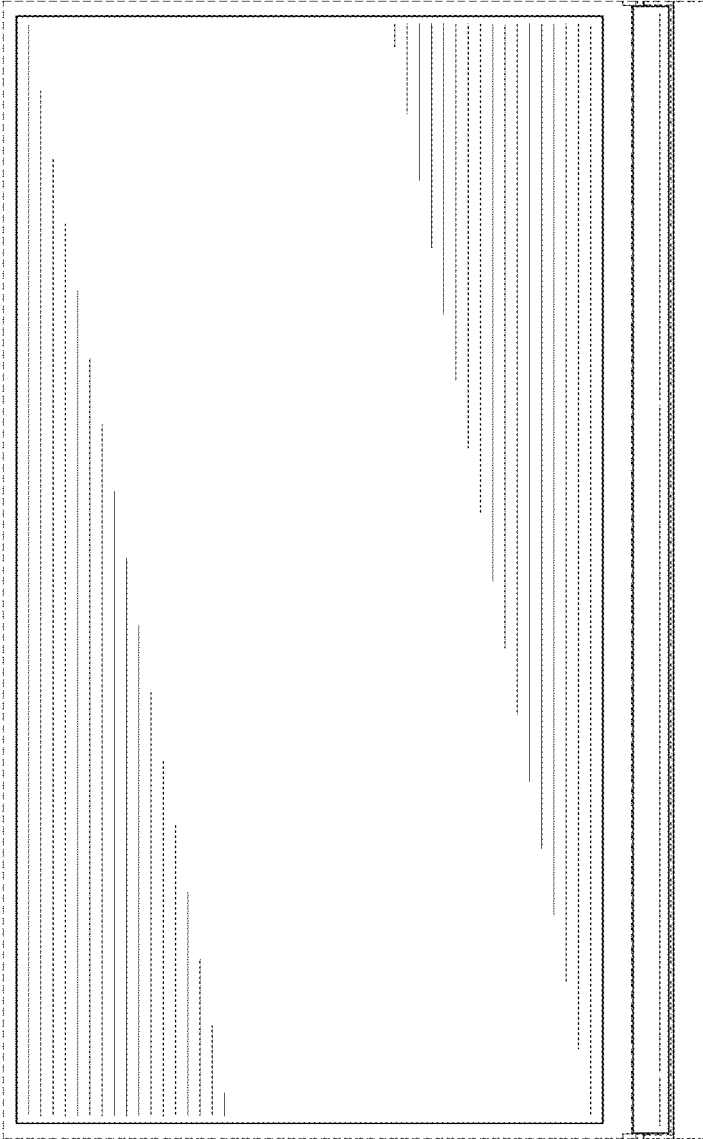


FIG. 2

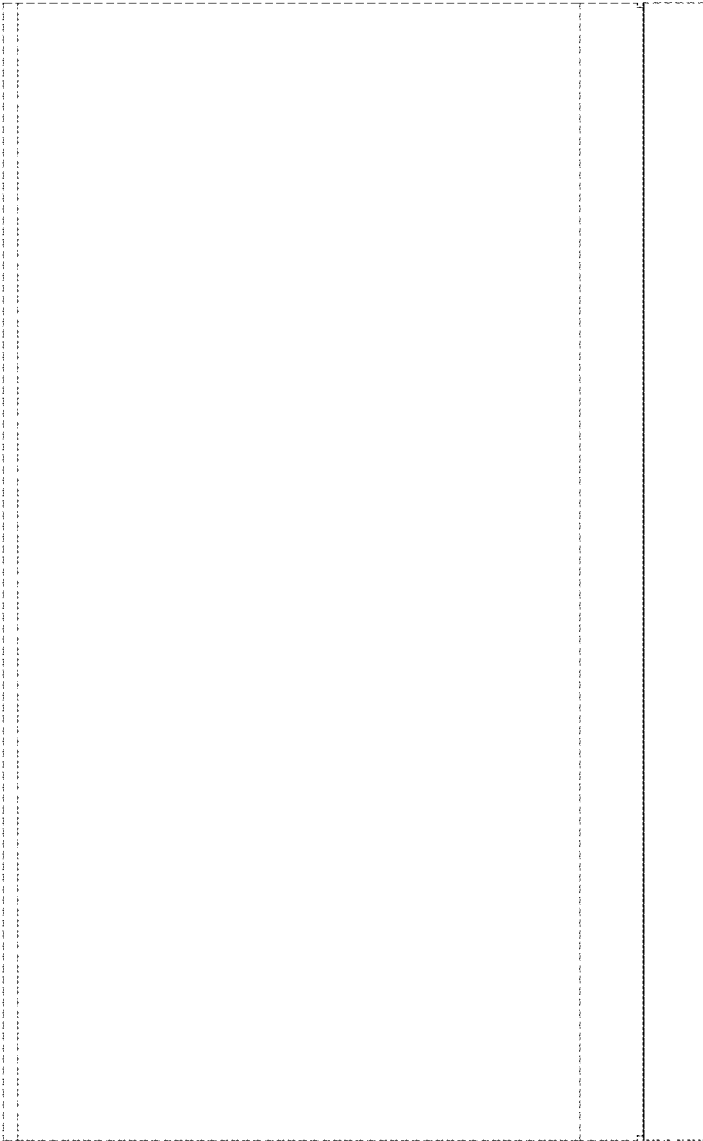


FIG. 3

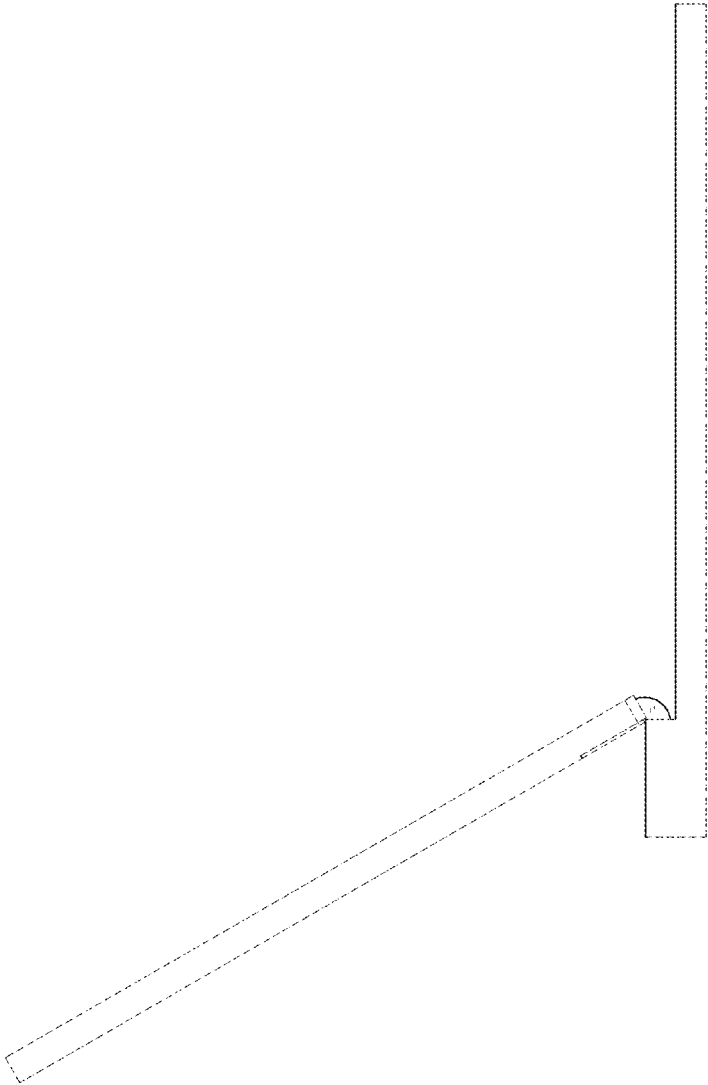


FIG. 4

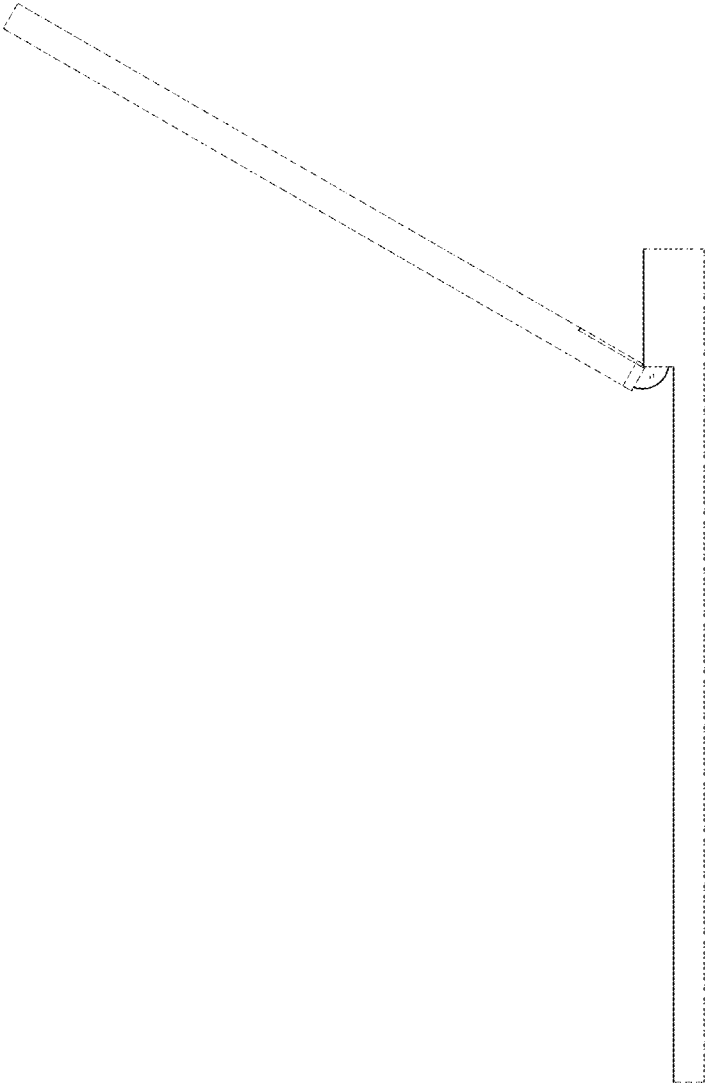


FIG. 5

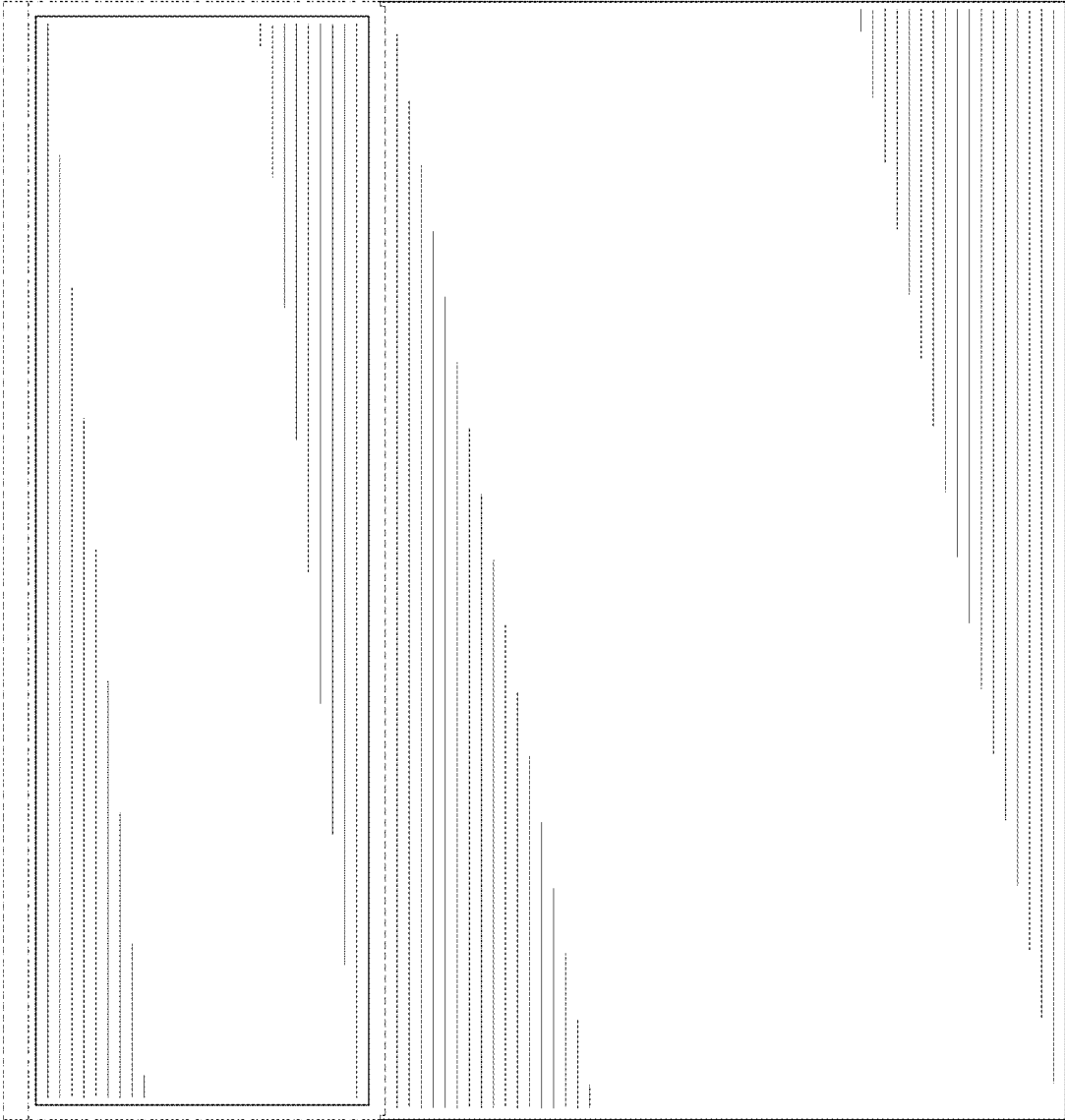


FIG. 6



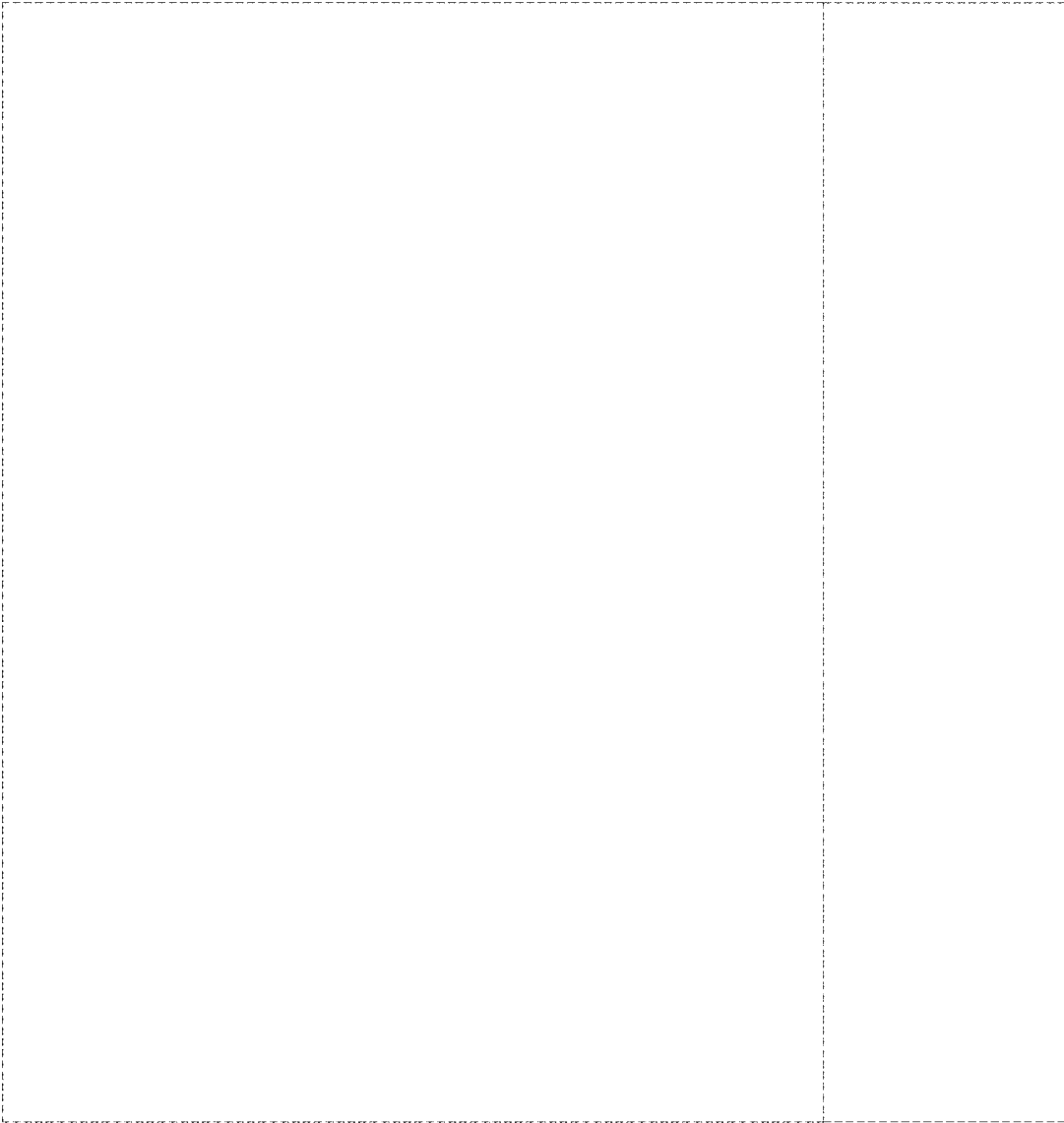


FIG. 7

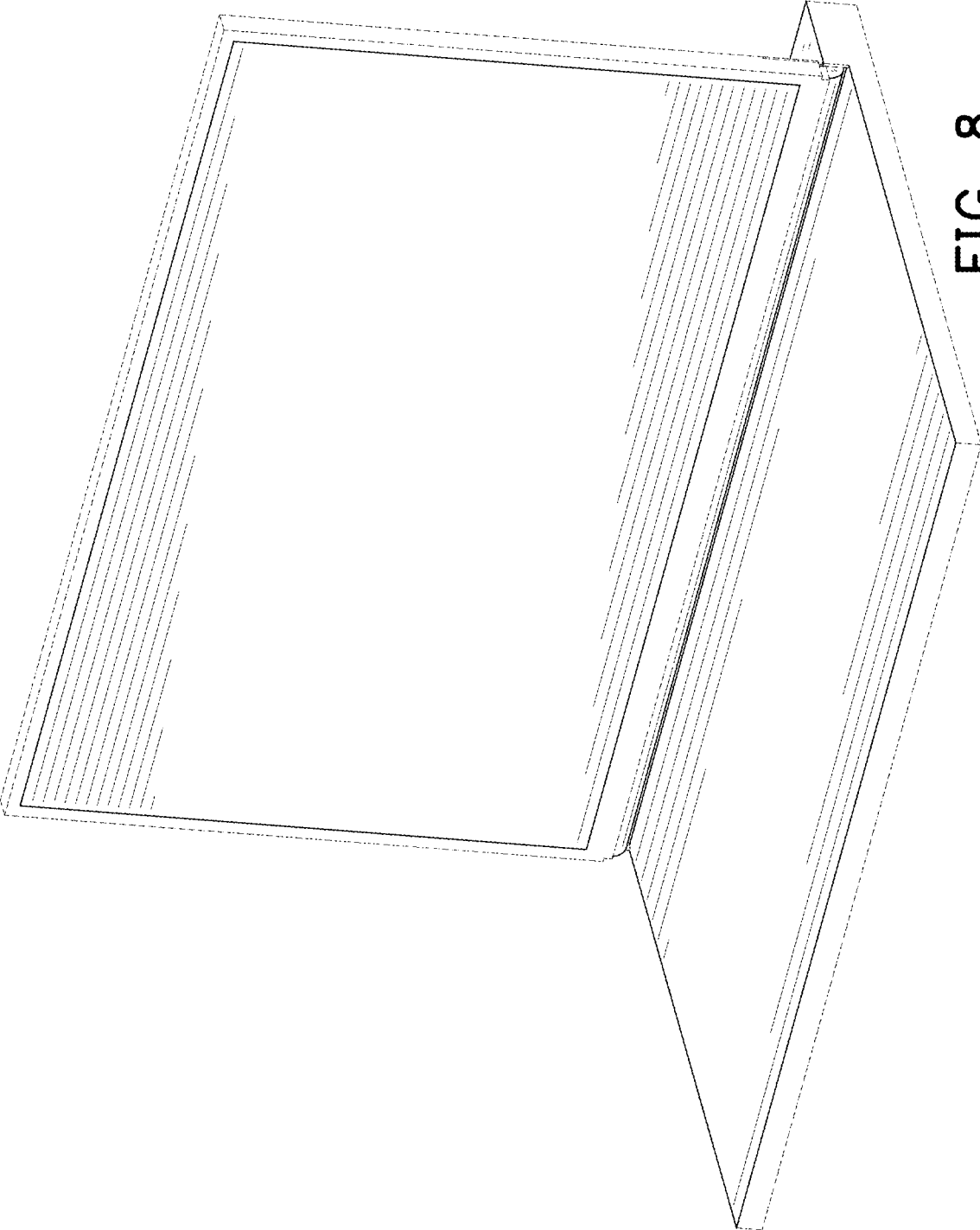


FIG. 8

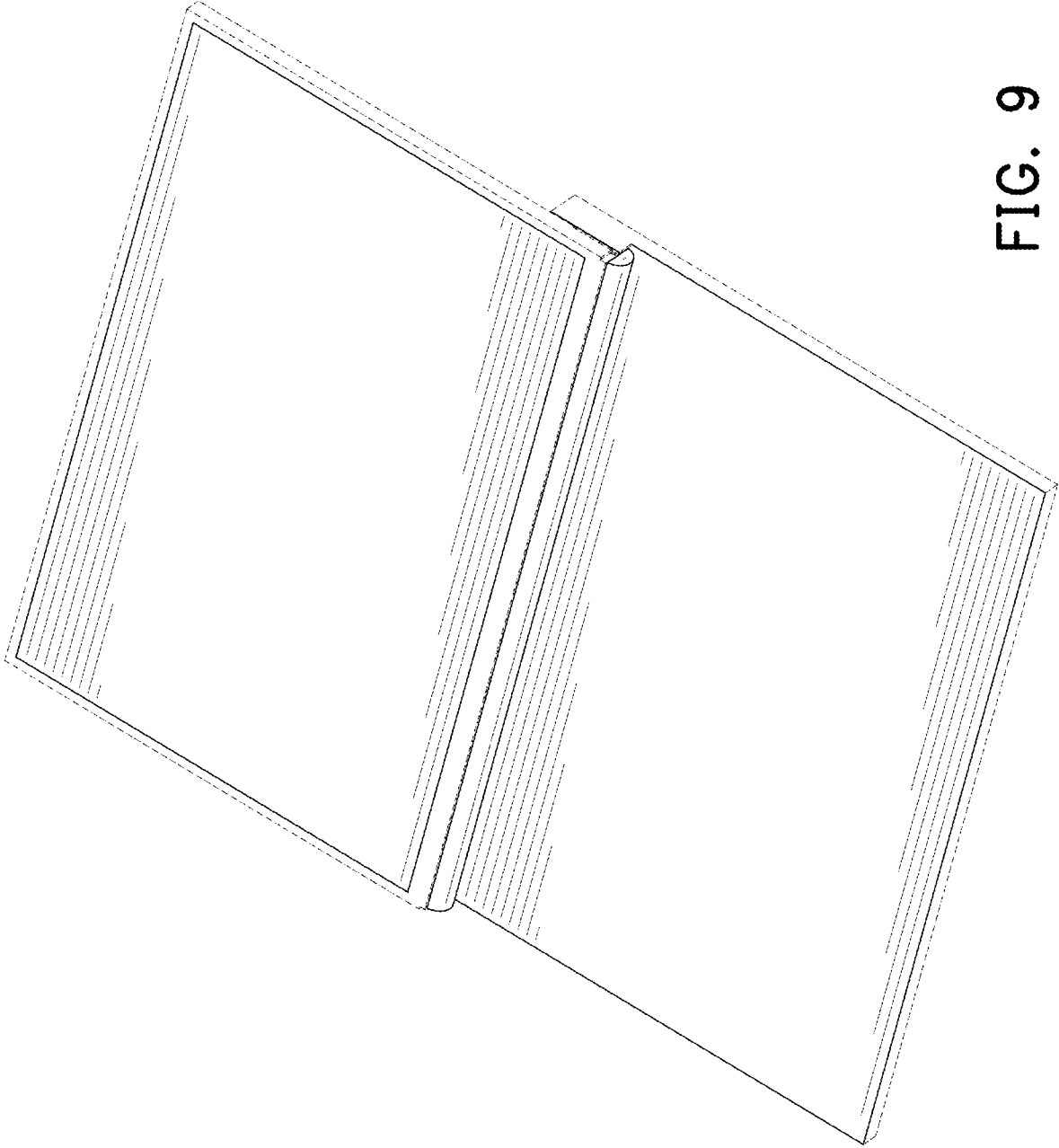


FIG. 9

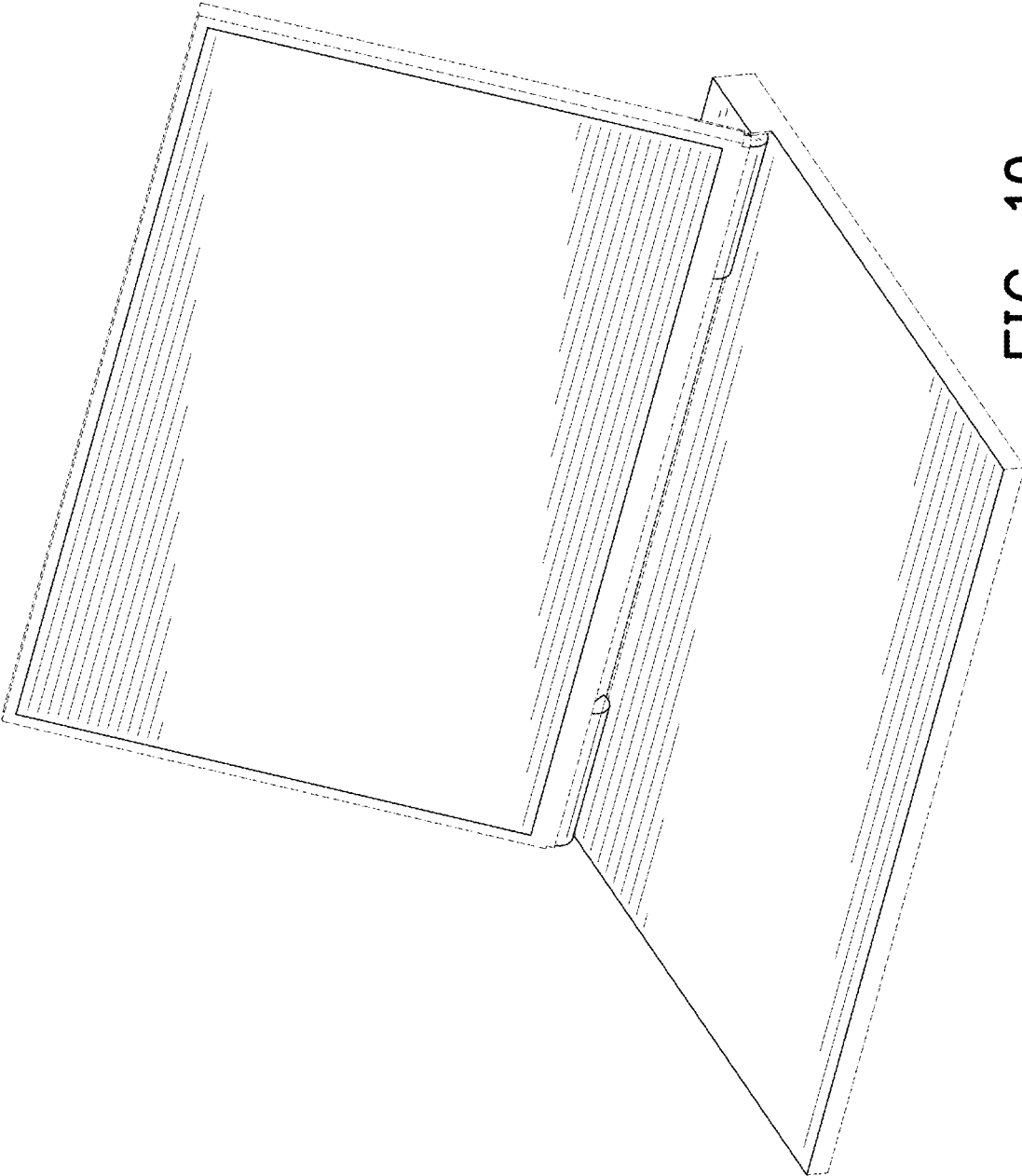


FIG. 10

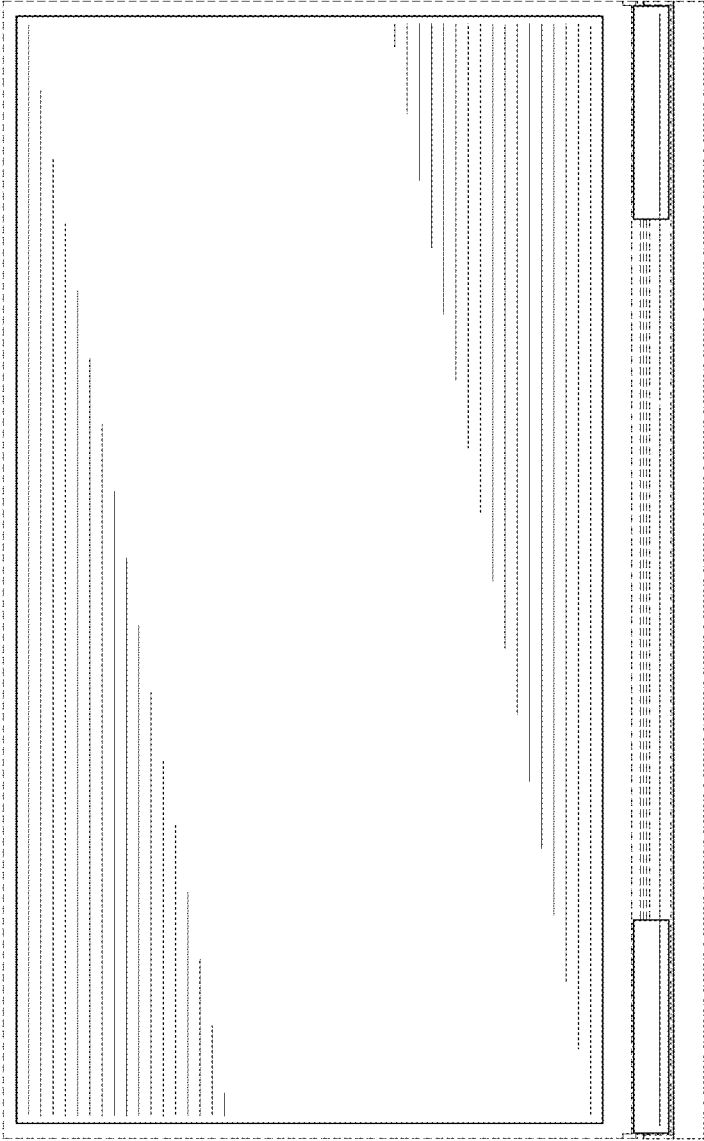


FIG. 11

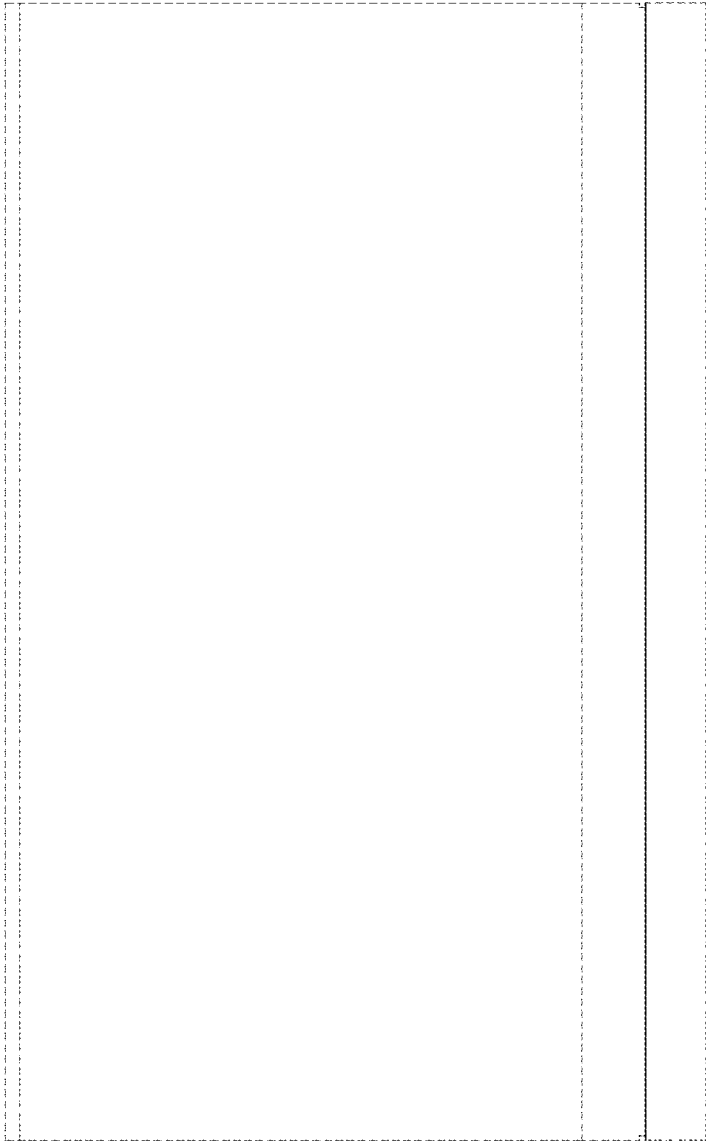


FIG. 12

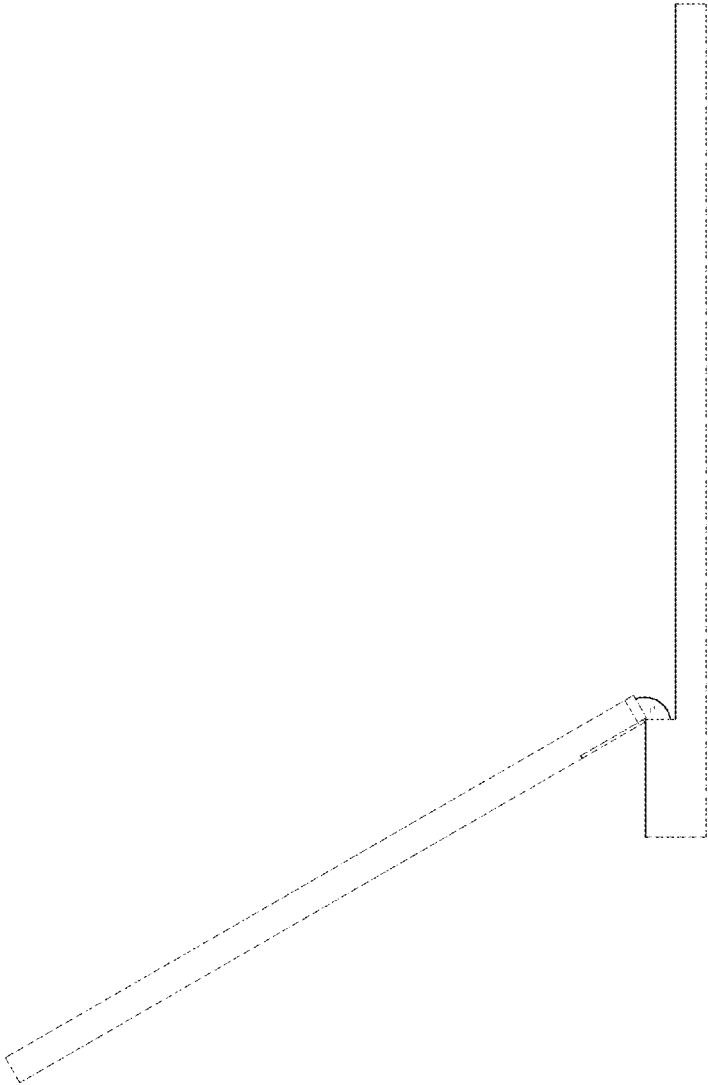


FIG. 13

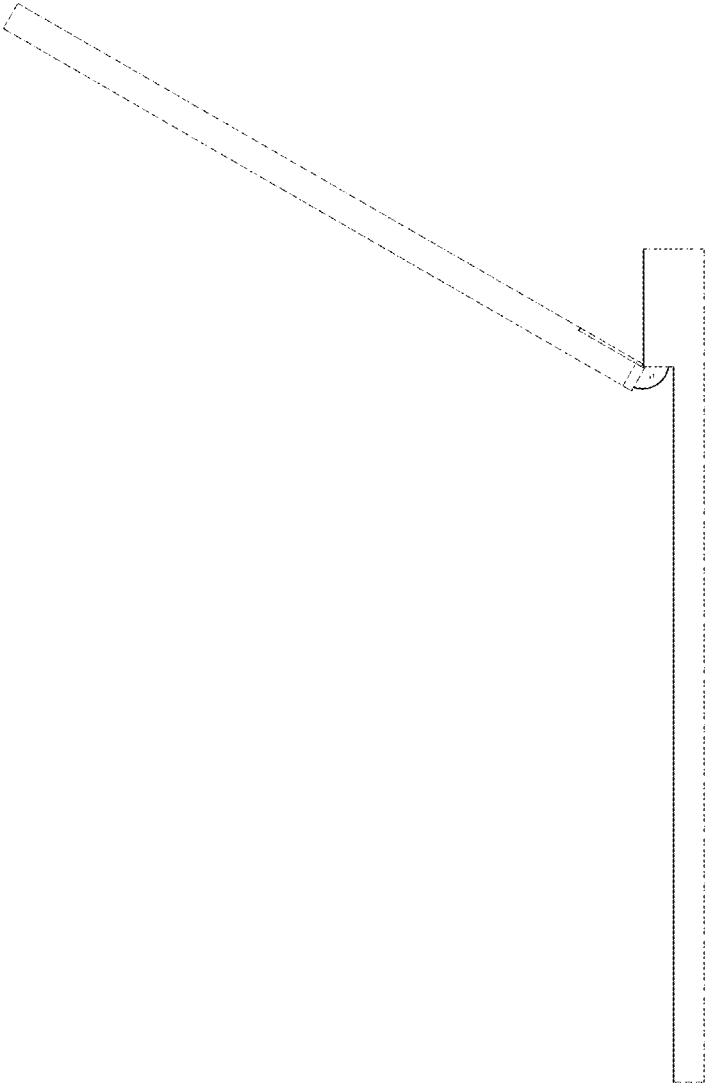


FIG. 14



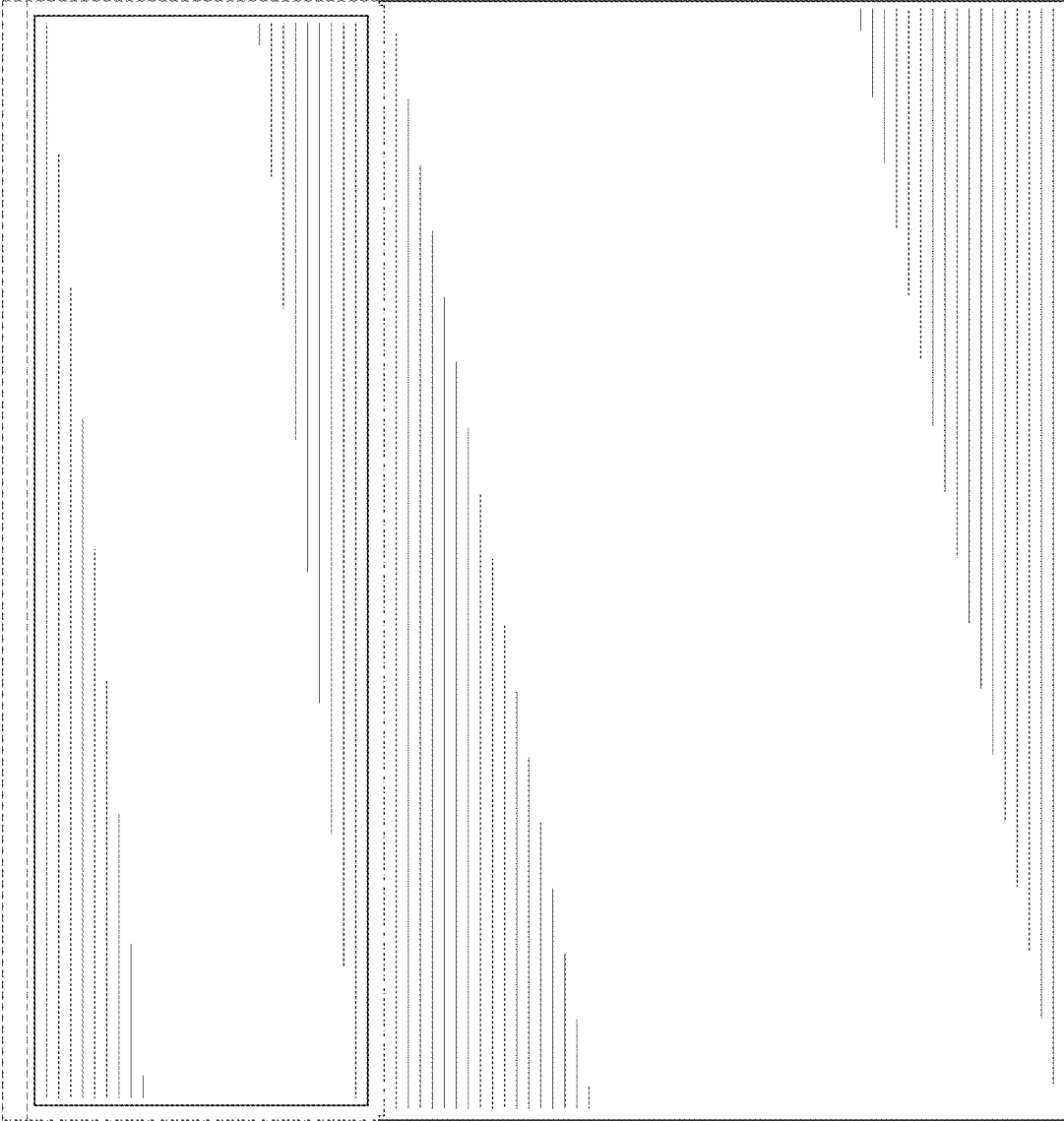
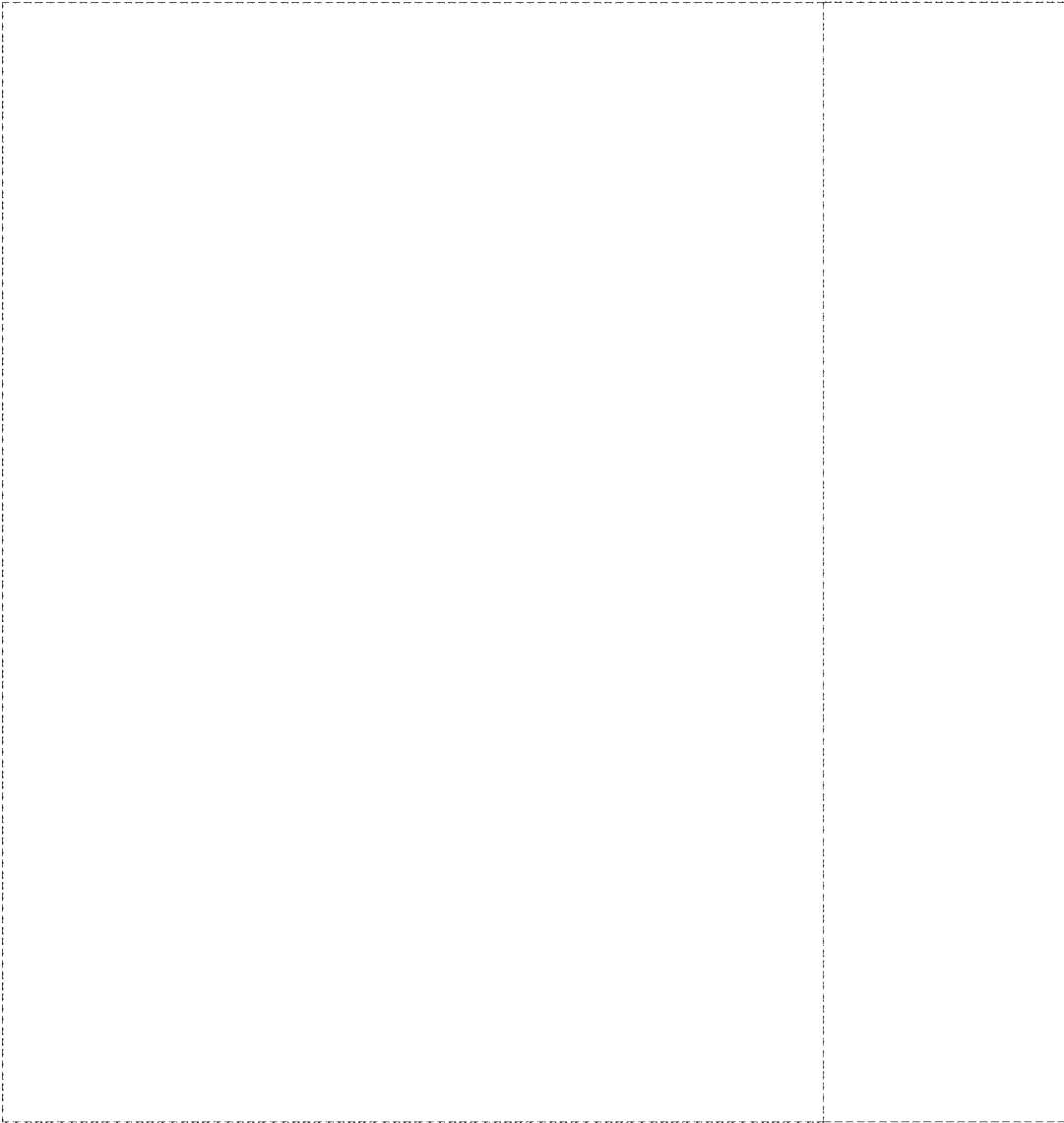


FIG. 15



**FIG. 16**

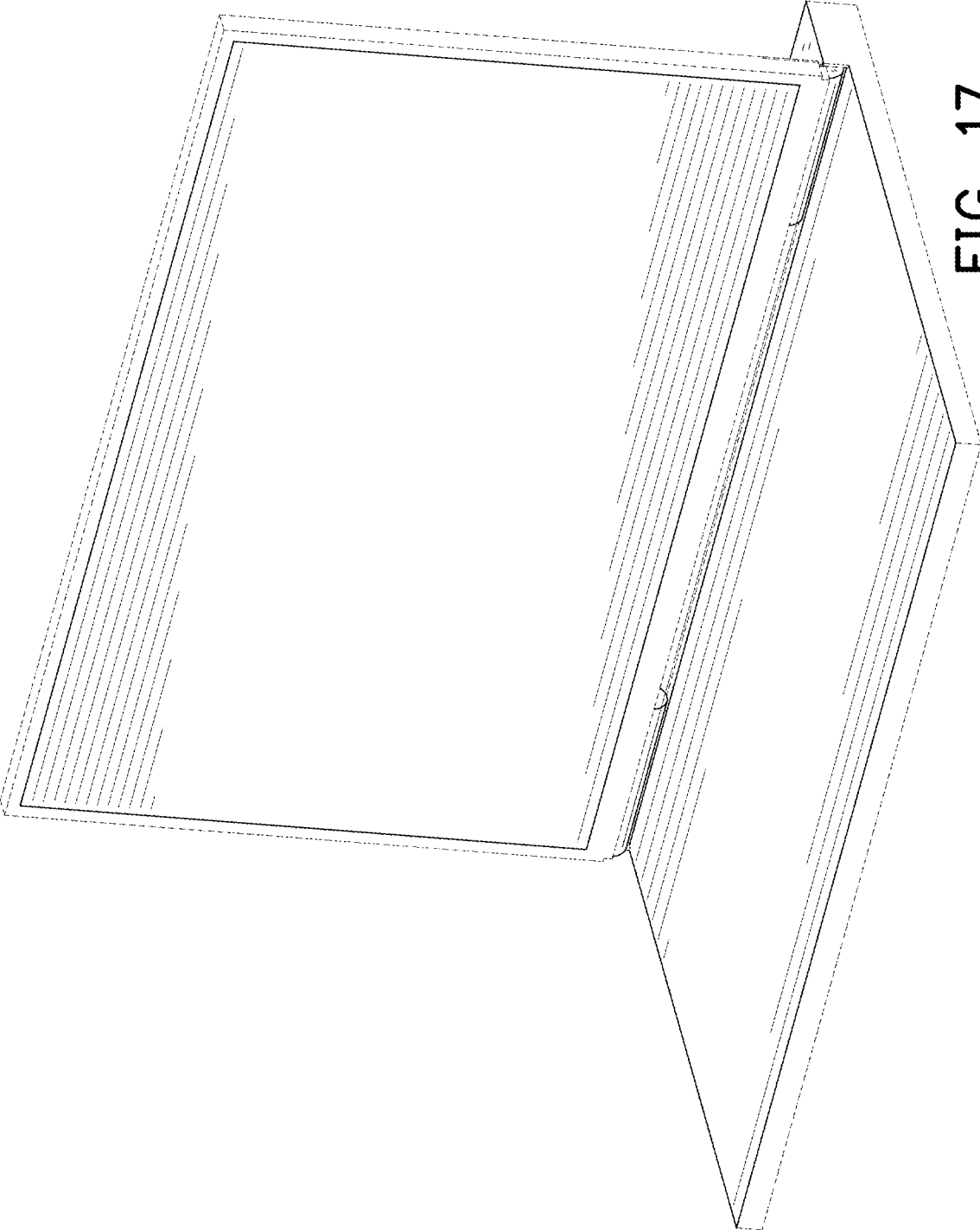


FIG. 17

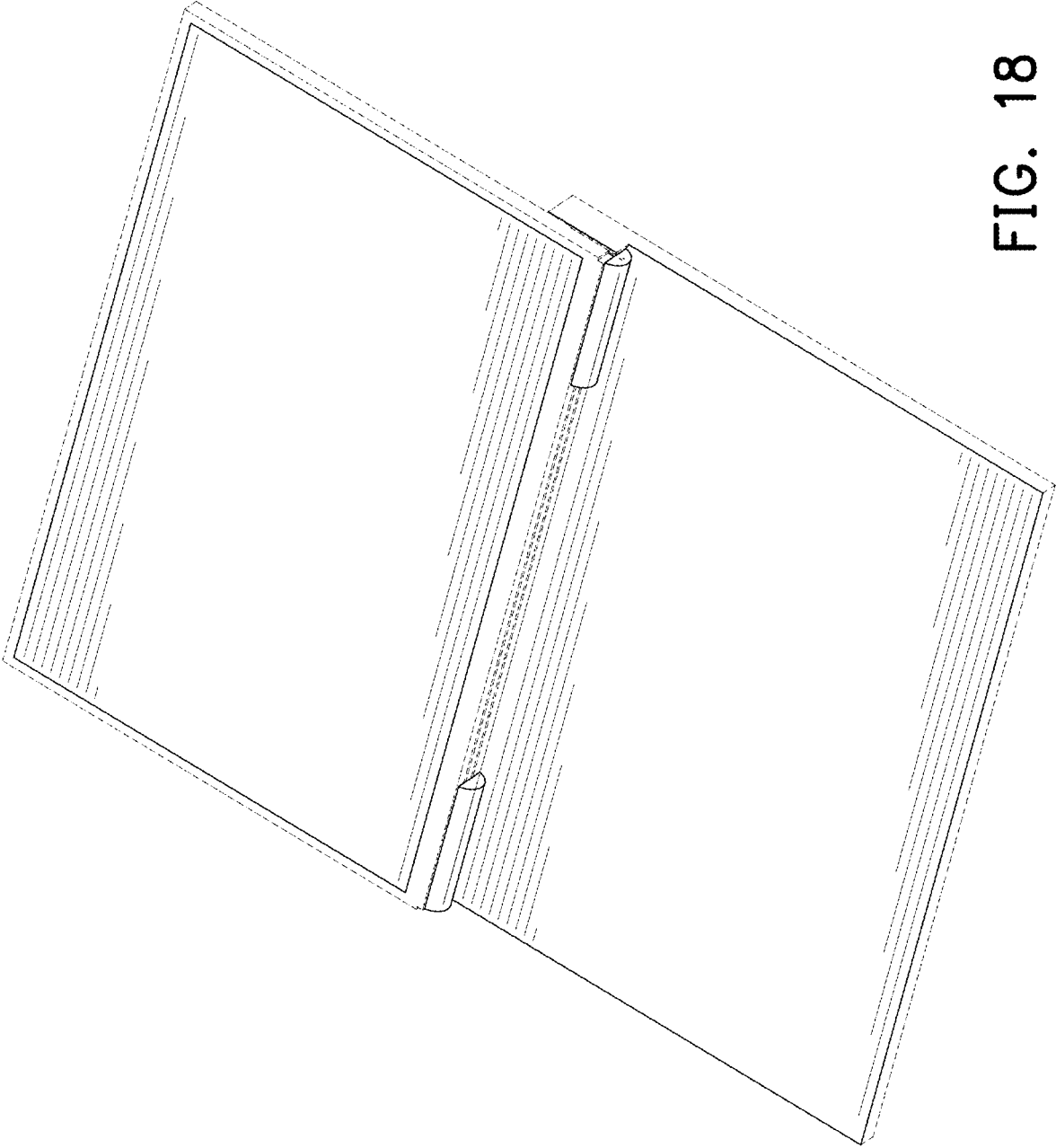


FIG. 18