



US00D537648S

(12) **United States Design Patent**
Moschini

(10) **Patent No.:** **US D537,648 S**

(45) **Date of Patent:** **** Mar. 6, 2007**

(54) **SEATS**

(75) Inventor: **Franco Moschini**, Tolentino (IT)

(73) Assignee: **Poltrona Frau S.p.A.**, Turin (IT)

(**) Term: **14 Years**

(21) Appl. No.: **29/221,380**

(22) Filed: **Jan. 14, 2005**

(30) **Foreign Application Priority Data**

Jul. 15, 2004 (IT) TO2004O000049

(51) **LOC (8) Cl.** **06-01**

(52) **U.S. Cl.** **D6/381**

(58) **Field of Classification Search** D6/334-335,
D6/337, 357, 364, 371, 377, 381, 500-502;
297/232, 233, 245, 248, 411.2, 411.42, 445.1,
297/446.1, 448.1; 5/12.1

See application file for complete search history.

(56) **References Cited**

U.S. PATENT DOCUMENTS

D253,859 S * 1/1980 Hosoe D6/372

D412,622 S * 8/1999 DeJule D6/371
D440,422 S * 4/2001 DeJule D6/371
D498,077 S * 11/2004 Tonizzo D6/381

* cited by examiner

Primary Examiner—Sandra Snapp

(74) *Attorney, Agent, or Firm*—Heslin Rothenberg Farley
& Mesiti P.C.; Victor A. Cardona

(57) **CLAIM**

The ornamental design for seats, as shown and described.

DESCRIPTION

FIG. 1 is a perspective view;

FIG. 2 is a front view;

FIG. 3 is a plan view from above;

FIG. 4 is a rear view;

FIG. 5 is a plan view from below;

FIG. 6 is a right side view;

FIG. 7 is a right side view with raised cushion;

FIG. 8 is a left side view; and,

FIG. 9 is a left side view with raised cushion.

1 Claim, 6 Drawing Sheets

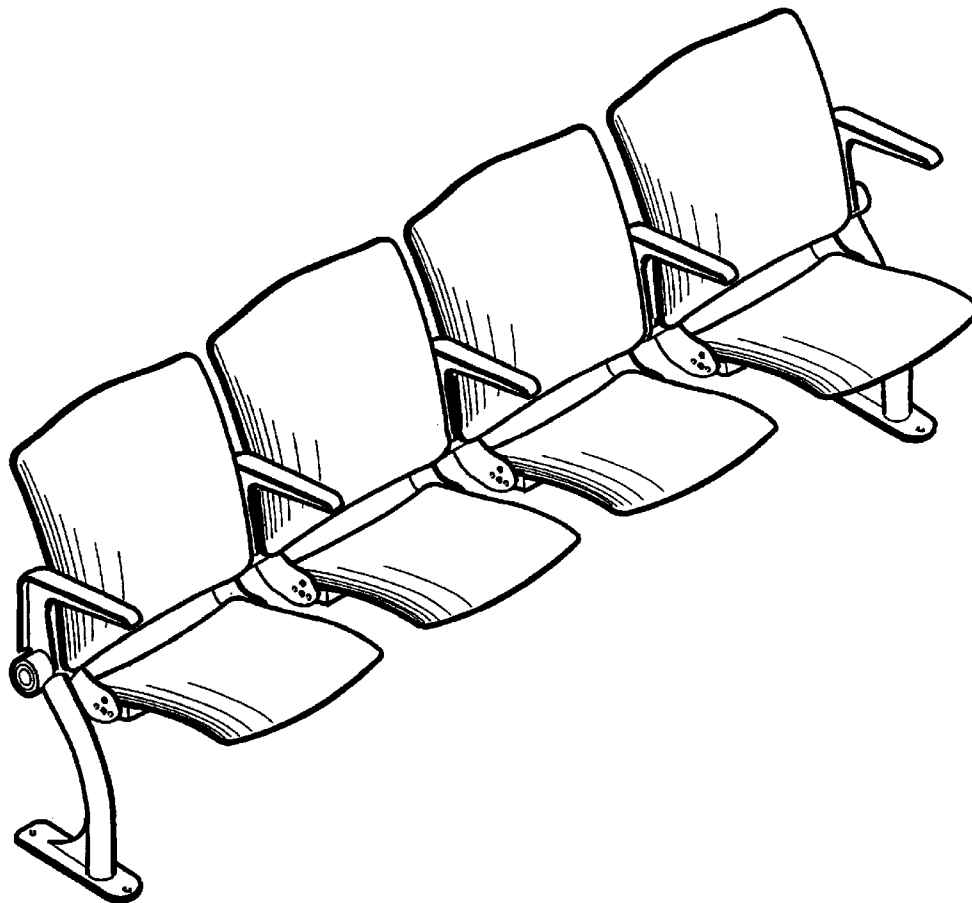


FIG. 1

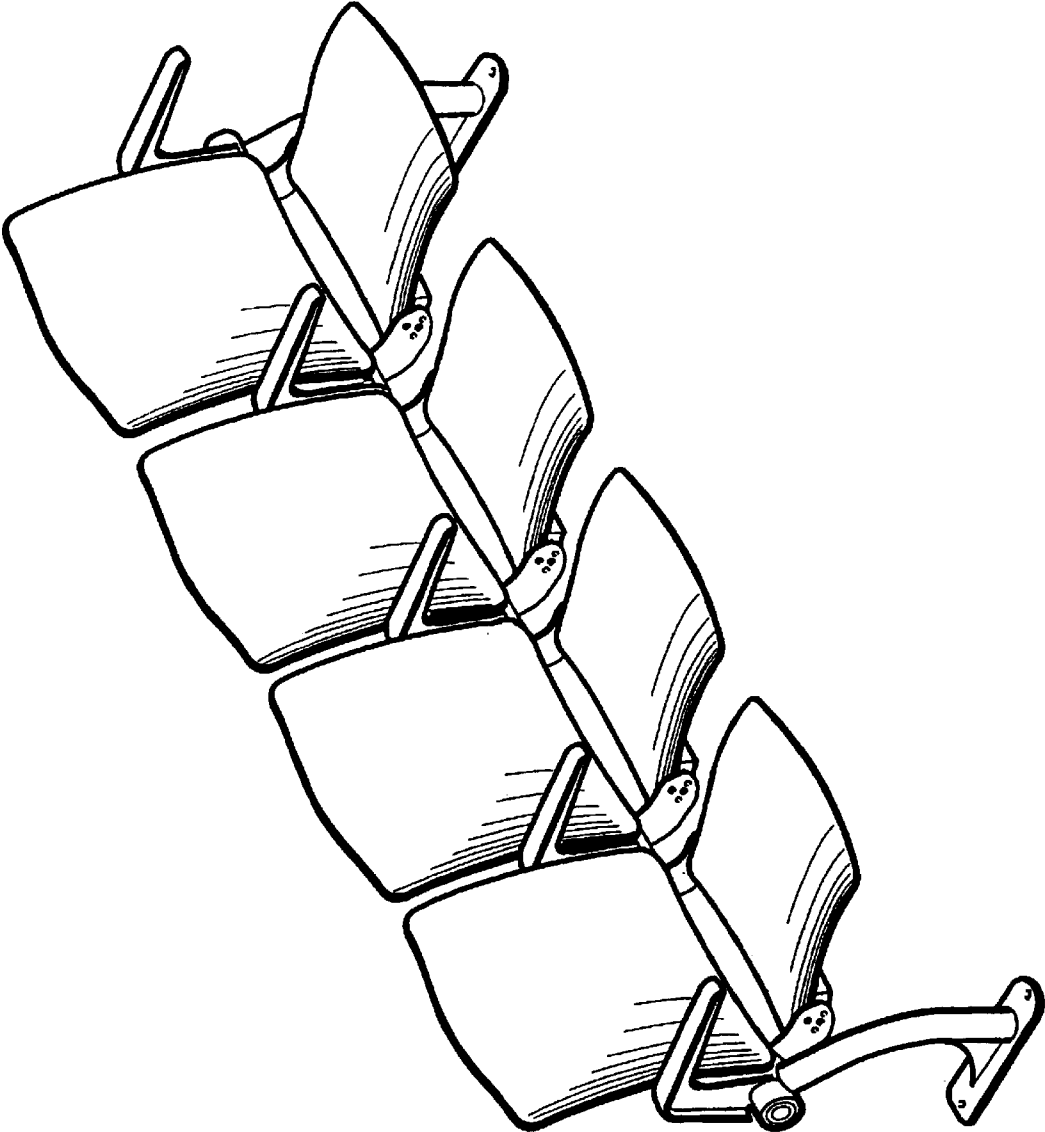


FIG. 2

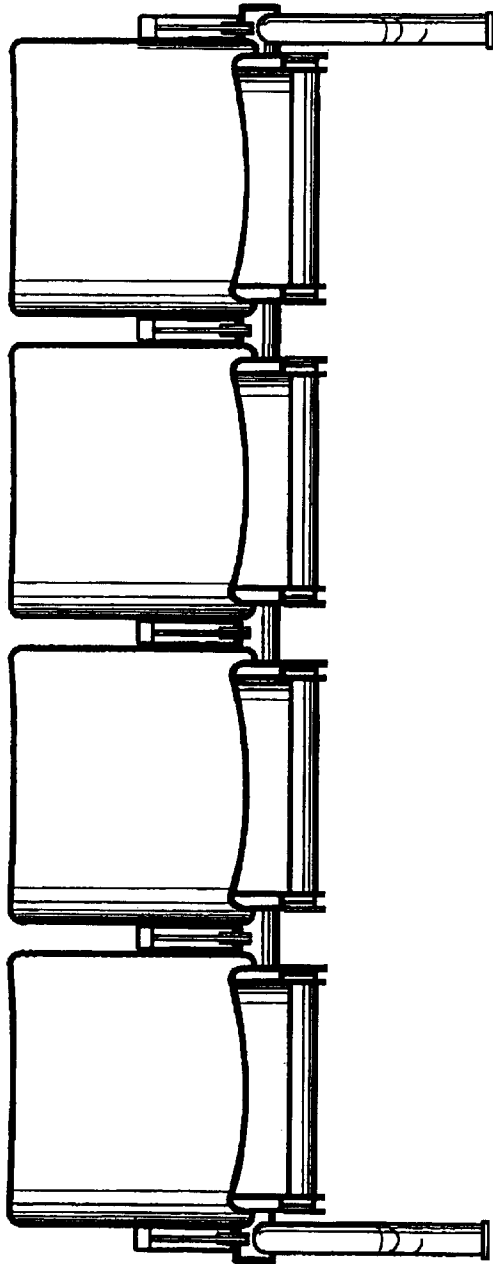


FIG. 3

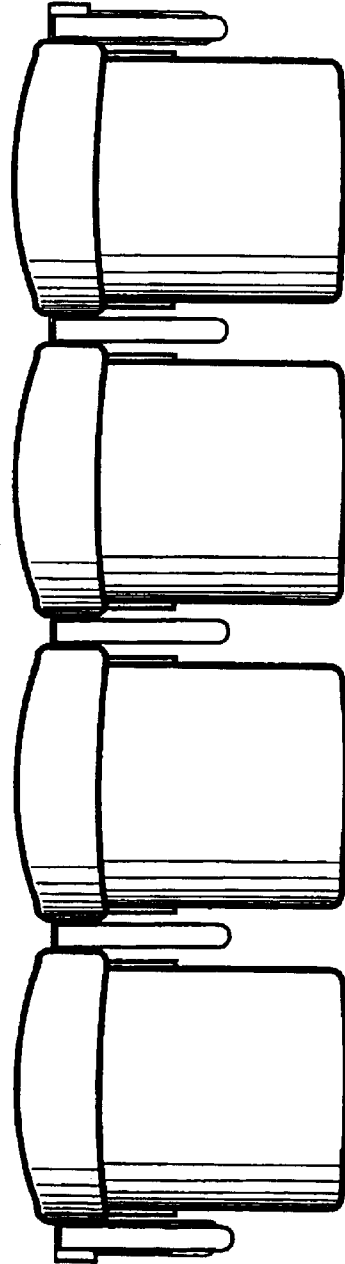


FIG. 4

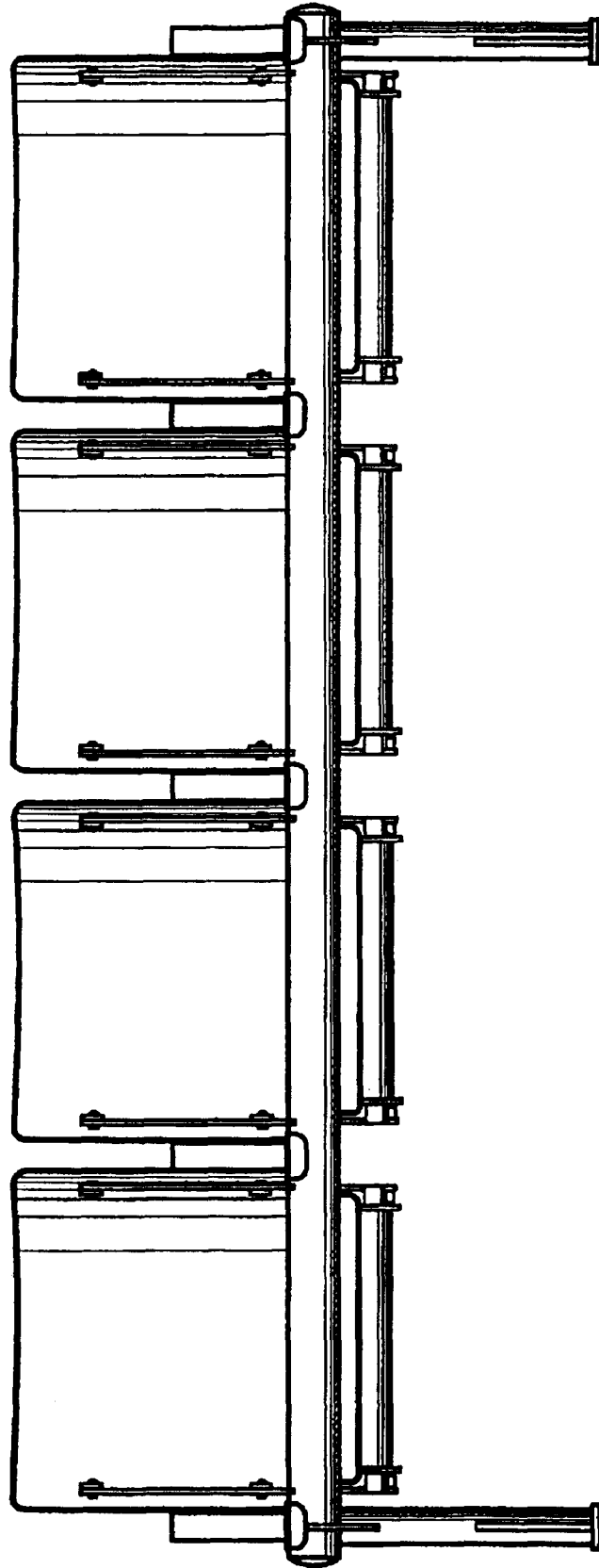


FIG. 5

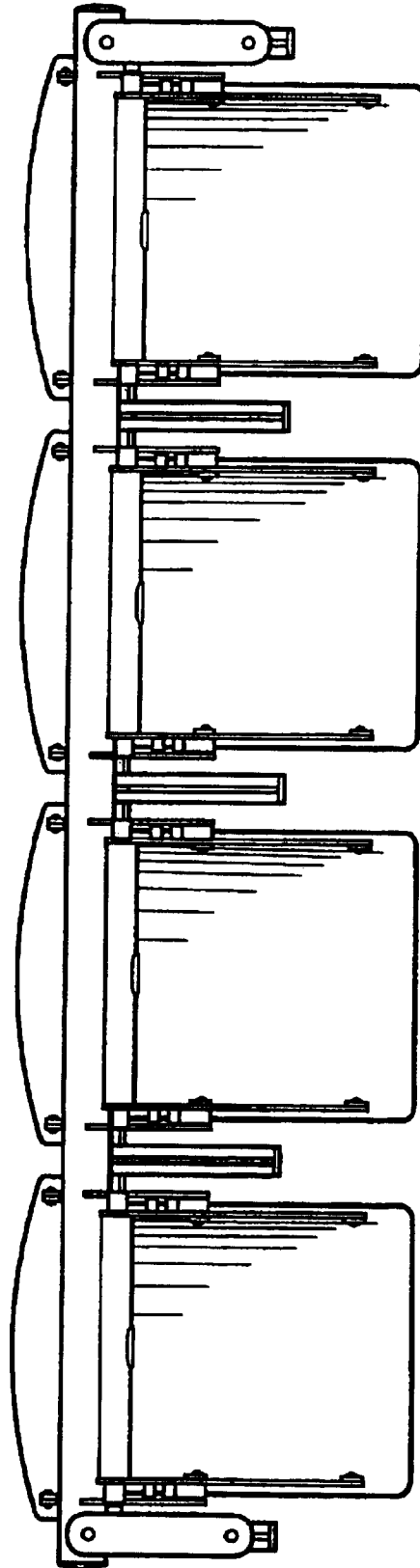


FIG. 7

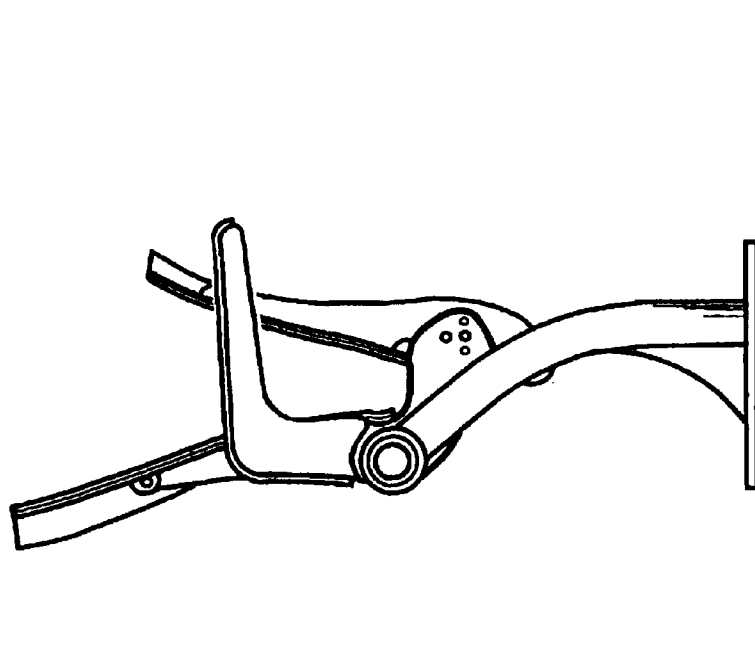


FIG. 6

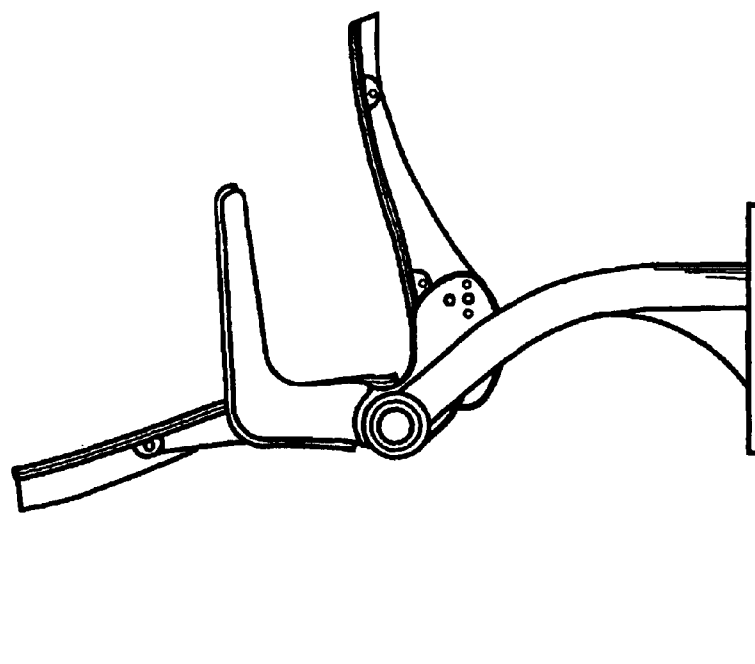


FIG. 8

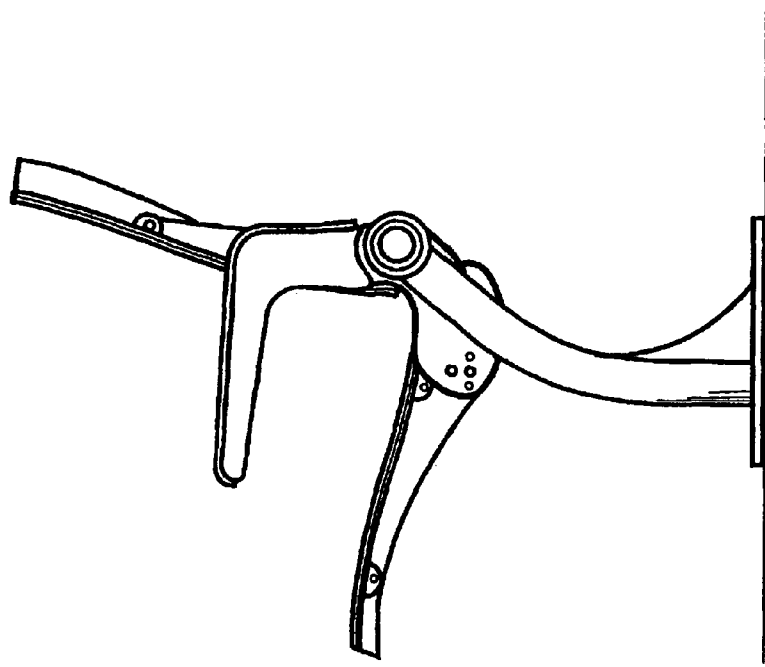


FIG. 9

