



(12) **United States Design Patent**
Manchen

(10) **Patent No.:** **US D636,249 S**
(45) **Date of Patent:** **** Apr. 19, 2011**

(54) **KNIFE**
(75) Inventor: **Andrea Manchen, Zürich (CH)**
(73) Assignee: **Think Industry AG, Zug (CH)**
(**) Term: **14 Years**
(21) Appl. No.: **29/361,627**
(22) Filed: **May 13, 2010**

(30) **Foreign Application Priority Data**
Jan. 25, 2010 (CH) 136715
(51) **LOC (9) Cl.** **08-03**
(52) **U.S. Cl.** **D8/99**
(58) **Field of Classification Search** D8/98-100,
D8/102, 104; D32/48; D28/59; 30/162,
30/169; 132/76.2
See application file for complete search history.

(56) **References Cited**
U.S. PATENT DOCUMENTS
628,259 A * 7/1899 Wheeler 30/162
1,403,281 A * 1/1922 Anover 30/162
1,434,388 A * 11/1922 Hughes 30/320
1,449,408 A * 3/1923 Hull 30/162
1,496,927 A * 6/1924 Evers 30/162
2,198,111 A * 4/1940 Gorbatenko et al. 30/162
2,270,655 A * 1/1942 Keeran 30/162
2,284,168 A * 5/1942 Rickenbacher 132/76.2
2,640,260 A * 6/1953 Taylor et al. 30/162
2,735,176 A * 2/1956 Costin 30/162
2,870,537 A * 1/1959 Ortner 30/162
3,079,686 A * 3/1963 Christy 30/162
3,448,518 A * 6/1969 Sklar 30/162
D248,538 S * 7/1978 Richards D8/99
D288,898 S * 3/1987 Osterhout D8/99
4,744,146 A * 5/1988 Schmidt 30/162

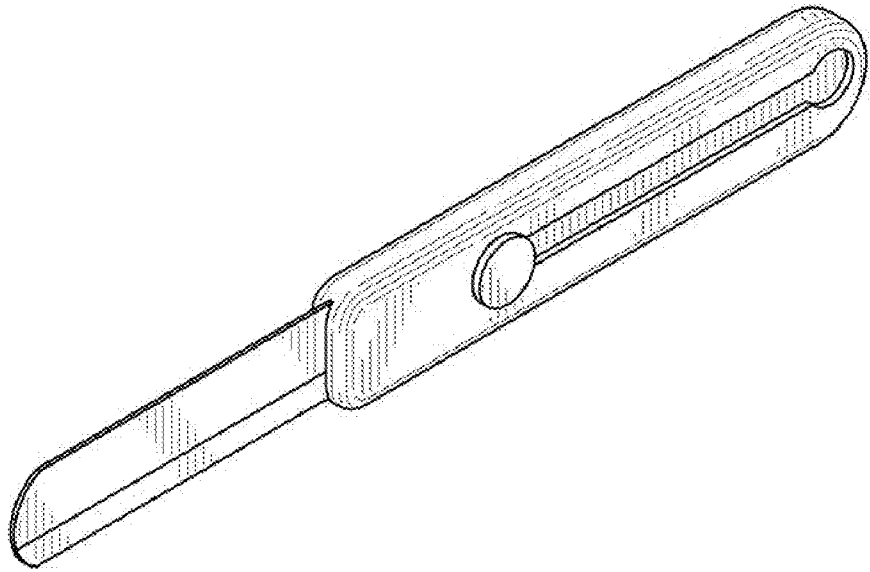
4,823,463 A * 4/1989 Lemaire 30/162
D308,462 S * 6/1990 Komatsu D8/105
D309,090 S * 7/1990 Schmidt et al. D8/99
D355,106 S * 2/1995 Yoshimoto D8/99
D355,107 S * 2/1995 Yoshimoto D8/99
D373,946 S * 9/1996 Sawano D8/99
D430,476 S * 9/2000 Thompson et al. D8/99
D440,013 S * 4/2001 Newman D28/59
6,470,574 B1 * 10/2002 Strumke, Jr. 30/169
D466,387 S * 12/2002 Chang D8/99
6,589,258 B2 * 7/2003 Pilo et al. 606/167
D497,301 S * 10/2004 Kondo et al. D8/99
D501,781 S * 2/2005 Galli D8/99
D513,957 S * 1/2006 Thirouin D8/99
D540,138 S * 4/2007 Kan D8/99
D565,382 S * 4/2008 Watanabe D8/99
D597,255 S * 7/2009 Wittke-Kothe D28/59
D608,948 S * 1/2010 Wittke-Kothe D28/59
7,797,838 B2 * 9/2010 Chu 30/162
2003/0105479 A1 * 6/2003 Pilo et al. 606/167
* cited by examiner

Primary Examiner — Philip S Hyder
Assistant Examiner — Roselynn Cody

(57) **CLAIM**
The ornamental design for a knife, as shown and described.

DESCRIPTION
FIG. 1 is a perspective view with blade extended
FIG. 2 is the side view, lengthwise, with blade extended
FIG. 3 is the top view with blade extended
FIG. 4 is the bottom view with blade extended
FIG. 5 is a perspective view with blade retracted
FIG. 6 is the side view, lengthwise, with blade retracted
FIG. 7 is the top view with blade retracted
FIG. 8 is the bottom view with blade retracted
FIG. 9 is the front view; and,
FIG. 10 is the rear view.

1 Claim, 2 Drawing Sheets



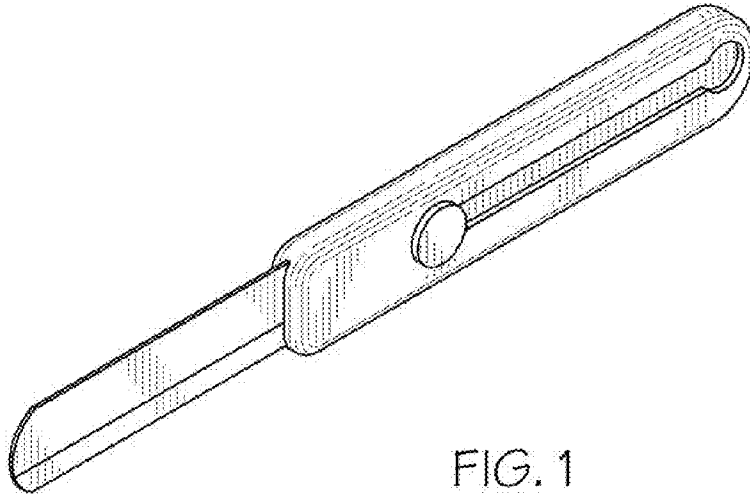


FIG. 1

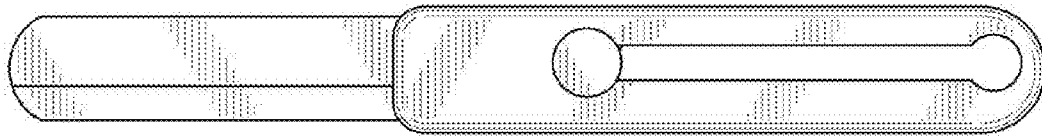


FIG. 2

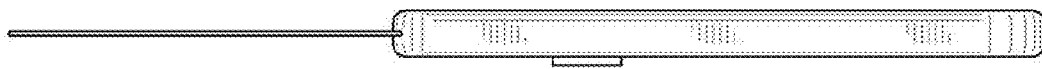


FIG. 3

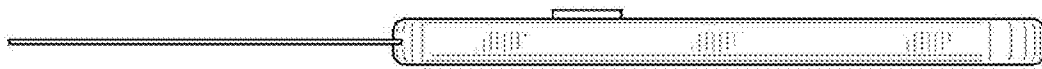


FIG. 4

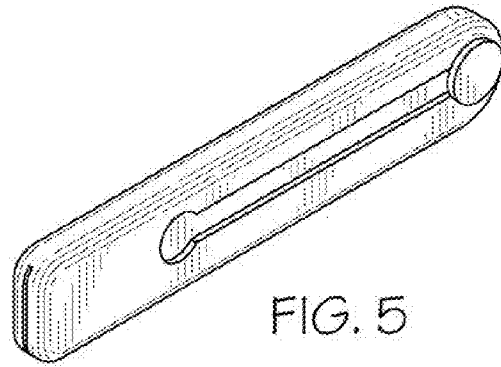


FIG. 5

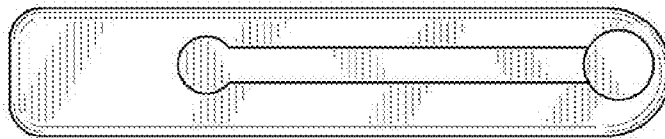


FIG. 6



FIG. 7



FIG. 8



FIG. 9



FIG. 10