



US00D816890S

(12) **United States Design Patent**
Khubani

(10) **Patent No.:** **US D816,890 S**

(45) **Date of Patent:** **** May 1, 2018**

- (54) **LIGHT PROJECTOR**
- (71) Applicant: **Telebrands Corp.**, Fairfield, NJ (US)
- (72) Inventor: **Ajit Khubani**, Saddle River, NJ (US)
- (73) Assignee: **Telebrands Corp.**, Fairfield, NJ (US)
- (**) Term: **15 Years**
- (21) Appl. No.: **29/599,058**
- (22) Filed: **Mar. 30, 2017**

D56,257 S	9/1920	Ryder	
D56,258 S	9/1920	Ryder	
D58,676 S	8/1921	Macneale	
D70,236 S	5/1926	Meden	
D98,047 S *	1/1936	Beck D26/63
D105,288 S *	7/1937	Levy D26/63

(Continued)

FOREIGN PATENT DOCUMENTS

CN	2743676	11/2005
CN	101276523 A	1/2008

(Continued)

OTHER PUBLICATIONS

Written Opinion of International Search Authority PCT/US2016/021345, published Sep. 1, 2016.

(Continued)

Primary Examiner — Clare E Heflin
(74) *Attorney, Agent, or Firm* — Cooper & Dunham, LLP

Related U.S. Application Data

- (63) Continuation-in-part of application No. 29/559,106, filed on Mar. 24, 2016, which is a continuation of application No. 29/555,447, filed on Feb. 22, 2016, now Pat. No. Des. 778,478, which is a continuation-in-part of application No. 29/544,568, filed on Nov. 4, 2015, now Pat. No. Des. 766,484, and a continuation-in-part of application No. 29/526,591, filed on Nov. 20, 2015, now Pat. No. Des. 766,483.

- (51) **LOC (11) Cl.** **26-99**
- (52) **U.S. Cl.**
USPC **D26/118; D26/63**

- (58) **Field of Classification Search**
USPC D26/63, 67, 68, 128, 118, 138
CPC F21S 8/003; F21S 8/08; F21S 8/081; F21S 8/083; F21S 9/03; F21S 9/032; F21S 9/035; F21S 9/037; F21S 10/007; F21V 21/0824; F21V 21/26; F21V 21/30; F21W 2121/004; F21W 2121/006; F21W 2121/008; F21W 2131/10; F21W 2131/109; G02B 27/20; G03B 21/56
See application file for complete search history.

(57) **CLAIM**

The ornamental design for a light projector, as shown and described.

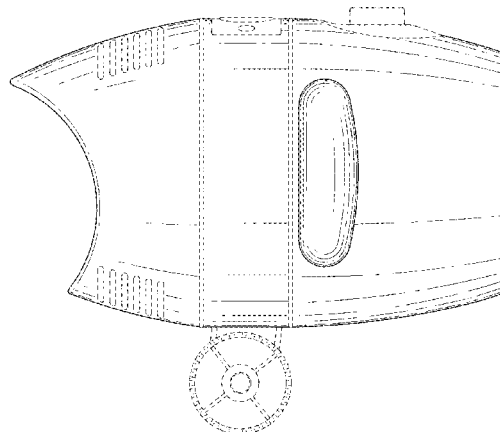
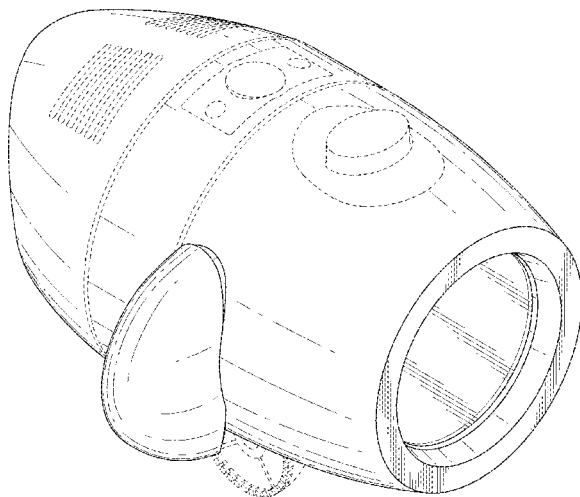
DESCRIPTION

FIG. 1 is a front perspective view of a light projector in accordance with the present design;
FIG. 2 is a front view thereof;
FIG. 3 is a back view thereof;
FIG. 4 is a right side view thereof;
FIG. 5 is a left side view thereof;
FIG. 6 is a top view thereof; and,
FIG. 7 is a bottom view thereof.

The broken lines shown on the drawings depict portions of the light projector that form no part of the claimed design.

1 Claim, 7 Drawing Sheets

- (56) **References Cited**
U.S. PATENT DOCUMENTS
1,196,951 A 9/1916 Hawthorne
D56,256 S 9/1920 Ryder



(56)

References Cited

U.S. PATENT DOCUMENTS

2,526,070	A *	10/1950	Early	F21V 21/26 248/278.1	D541,966	S *	5/2007	Benghozi	D26/63
D173,139	S	10/1954	Black			D542,959	S	5/2007	Yao		
3,104,064	A	9/1963	Bellek			7,257,551	B2	8/2007	Oskorep		
3,442,572	A	5/1969	Insley			D550,877	S	9/2007	Mullen		
D231,559	S	4/1974	Darling			D551,789	S	9/2007	Mullen		
3,822,930	A	7/1974	Douklias			7,380,956	B2	6/2008	Richmond		
D233,778	S	11/1974	Kennedy			D574,104	S	7/2008	Sanoner		
D233,779	S	11/1974	Kennedy			D574,532	S	8/2008	Lee		
D234,710	S	4/1975	Beeren			7,418,016	B2	8/2008	Gruhlke et al.		
3,944,761	A	3/1976	Nicholl			D577,453	S	9/2008	Metlen		
D254,154	S	2/1980	Young			D589,191	S	3/2009	Sabernig		
4,217,040	A	8/1980	Longerbeam			D589,192	S *	3/2009	Sabernig	D26/63
4,307,528	A	12/1981	Deweese			7,534,975	B1	5/2009	Sharrah		
4,458,124	A	7/1984	Kroth			7,547,111	B2	6/2009	Richmond et al.		
D278,215	S	4/1985	Patterson			D604,880	S	11/2009	Lovegrove		
D282,104	S	1/1986	Taylor			D604,882	S	11/2009	Mier-Langner		
D286,682	S	11/1986	Greenlee			D605,325	S	12/2009	Sanoner		
4,814,961	A	3/1989	O'Brien			7,641,345	B2	1/2010	Johnson		
5,036,447	A	7/1991	Taylor			D615,688	S	5/2010	Chen		
D323,406	S	1/1992	Fisher			D616,586	S	5/2010	Sabernig		
5,086,379	A	2/1992	Denison			D619,290	S	7/2010	You		
5,090,789	A	2/1992	Crabtree			D619,289	S	10/2010	You		
D326,162	S	5/1992	Price			D625,871	S *	10/2010	Huang	D26/63
D328,147	S *	7/1992	Gecchelin	D26/63	D628,329	S	11/2010	Tuli		
D333,526	S	2/1993	Taylor			D632,414	S *	2/2011	Croce	D26/63
D333,529	S	2/1993	Denison			D638,159	S	5/2011	Yao		
5,226,104	A	7/1993	Unterleitner			7,993,040	B2	8/2011	Beadle		
D340,305	S	10/1993	Hall			8,003,886	B1	8/2011	Rintz		
5,258,898	A *	11/1993	Thornton	F21V 21/108 362/147	8,013,719	B2	9/2011	Haase		
5,280,417	A	1/1994	Hall			D647,234	S	10/2011	Izardel		
5,367,349	A	11/1994	Zeiler			D647,657	S	10/2011	Janssen		
5,398,180	A	3/1995	Lee			D649,671	S *	11/2011	Ferro	D26/63
D361,149	S	8/1995	Wedell			8,057,045	B2	11/2011	Johnson		
5,459,539	A	10/1995	Yamamoto			D651,335	S	12/2011	Chen		
D365,169	S	12/1995	Fillipp			8,100,537	B2	1/2012	Johnson		
D370,070	S	5/1996	Kay			D654,207	S	2/2012	Fletcher		
5,517,264	A	5/1996	Sutton			D654,214	S	2/2012	Huang		
5,613,799	A	3/1997	Guide			D654,605	S	2/2012	Chen		
5,626,418	A	5/1997	Angelis			D656,821	S	4/2012	Marcoux		
5,649,760	A	7/1997	Beadle			D659,871	S	5/2012	Lee		
D383,236	S	9/1997	Krogman			8,251,521	B2	8/2012	Mizushima et al.		
5,709,462	A	1/1998	Rumpel			D667,981	S	9/2012	Connolly		
D397,490	S	8/1998	Lecluze			D667,989	S	9/2012	May		
5,824,981	A	10/1998	Suzuki			8,303,129	B1	11/2012	Thielen		
5,831,397	A	11/1998	Stevens			8,303,150	B2	11/2012	Chien		
5,882,107	A	3/1999	Bornhorst			8,366,281	B2	2/2013	Silverstein et al.		
D410,295	S	5/1999	Lueken			8,366,292	B2	2/2013	McDermott		
D413,996	S	9/1999	Andrus			8,376,574	B2	2/2013	Spartano		
D414,579	S	9/1999	Denison			8,436,553	B2	5/2013	Zampini		
D427,696	S	7/2000	Scott			8,485,686	B2	7/2013	Swan		
6,145,228	A	11/2000	LaChance			8,511,877	B2	8/2013	Chien		
6,152,577	A	11/2000	Rizkin			8,721,160	B2	5/2014	Chien		
D437,071	S	1/2001	Andrus			8,834,009	B2	9/2014	Chien		
D438,322	S	2/2001	Skradski			8,901,827	B1	12/2014	Xu		
6,190,025	B1	2/2001	Solinsky			D723,726	S	3/2015	Reed		
D438,999	S	3/2001	Bossy			D738,023	S	9/2015	Rosello Gralacos		
6,478,453	B2	11/2002	Lammers			9,157,589	B2	10/2015	Chien		
6,548,967	B1	4/2003	Dowling			D745,202	S *	12/2015	Guercio	D26/63
6,553,175	B2	4/2003	Jaspan			9,200,790	B2	12/2015	Lien et al.		
6,594,090	B2	7/2003	Kruschwitz et al.			D747,525	S	1/2016	Guercio		
D482,476	S	11/2003	Kwong			D748,838	S	2/2016	Brynjolfsson		
6,644,839	B2	11/2003	Lee			9,395,608	B2	7/2016	Zhang		
6,655,817	B2	12/2003	Devlin			D764,694	S	8/2016	Tsai		
6,695,452	B2	2/2004	Panasewicz			D765,906	S	9/2016	Khubani		
6,722,771	B1	4/2004	Stephens			D766,483	S	9/2016	Khubani		
6,802,630	B2	10/2004	Doppelt			D766,484	S	9/2016	Khubani		
D506,282	S	6/2005	Benghozi			9,458,994	B1	10/2016	Khubani		
D506,283	S	6/2005	Benghozi			9,546,775	B1	1/2017	Khubani		
7,040,780	B2	5/2006	Diehl			D778,478	S *	2/2017	Khubani	D26/63
7,137,721	B1	11/2006	Rao			9,562,673	B1	2/2017	Khubani		
7,175,321	B1	2/2007	Lopez			9,719,654	B2	8/2017	Chien		
D538,959	S	3/2007	Kosche			2002/0101571	A1	8/2002	Panasewicz		
D541,456	S	4/2007	Kosche			2003/0189825	A1	10/2003	Tauch		
						2004/0042070	A1	3/2004	Yagi		
						2004/0119951	A1 *	6/2004	Vitantonio	F16M 11/10 353/119
						2004/0141316	A1	7/2004	Twardawski		
						2005/0024863	A1	2/2005	Phipps		
						2005/0103378	A1	5/2005	Pu		

(56)

References Cited

OTHER PUBLICATIONS

U.S. PATENT DOCUMENTS

2006/0114682	A1	6/2006	Schuster	
2006/0158138	A1	7/2006	Walter	
2006/0198153	A1	9/2006	Chien	
2008/0224849	A1	9/2008	Sirhan	
2008/0316732	A1	12/2008	Blake	
2009/0027900	A1	1/2009	Janos	
2009/0067191	A1	3/2009	Faber	
2009/0122564	A1	5/2009	Beadle	
2009/0153807	A1	6/2009	Jackson	
2009/0168026	A1	7/2009	Chen	
2009/0268121	A1	10/2009	Hisada	
2010/0046211	A1	12/2010	Spartano	
2011/0051097	A1	3/2011	Lin	
2012/0069547	A1	3/2012	Gielen	
2012/0176782	A1	7/2012	Vanderschuit	
2012/0188754	A1	7/2012	Fitzwater	
2014/0036487	A1	8/2012	Adams	
2012/0257418	A1	10/2012	Fields et al.	
2012/0324772	A1	12/2012	Gingerella	
2013/0088152	A1	4/2013	Hagen	
2013/0088723	A1	4/2013	Feldkhun	
2013/0257297	A1	10/2013	Schmidt	
2014/0335910	A1	3/2014	Wang	
2014/0268703	A1	9/2014	Ehlert	
2014/0313779	A1	10/2014	Higgins et al.	
2015/0015716	A1	1/2015	Reed	
2015/0035437	A1	2/2015	Panopoulos	
2015/0070897	A1	3/2015	Chien	
2015/0159842	A1*	6/2015	Zhang	F21V 21/30 362/231
2015/0260385	A1	9/2015	Brynjolfsson	
2016/0169486	A1*	6/2016	John	F21V 29/83 362/373
2016/0238221	A1	8/2016	Lentine	
2016/0313089	A1	10/2016	Collin	
2017/0045208	A1	2/2017	Lentine	
2017/0080991	A1	3/2017	White	
2017/0191631	A1*	7/2017	Lentine	F21S 10/007

FOREIGN PATENT DOCUMENTS

CN	201173996	12/2008
CN	201407589 Y	2/2010
CN	202091917	12/2011
CN	102620220	8/2012
CN	102809110	12/2012
CN	202140959	12/2012
CN	202691883	1/2013
CN	202972915	6/2013
CN	203273720	11/2013
CN	203431698	2/2014
CN	203453930	2/2014
CN	204083891	1/2015
CN	204176560	2/2015
CN	204240200	4/2015
CN	204268353	4/2015
CN	303234579 S	6/2015
CN	104812342	7/2015
CN	204621354	9/2015
CN	105068243	11/2015
CN	205155727	4/2016
CN	303657559	4/2016
DE	2740191	3/1979
DE	202006003915	5/2006
DE	20 2007 009 1	1/2008
DE	202006009535	8/2008
GB	2435090	8/2007
JP	H07227342	8/1995
KR	20120023293	3/2013
WO	WO 2006/074205	7/2006
WO	WO 2010022367	2/2010
WO	WO 2012002833	1/2012
WO	WO 2015/138480	9/2015

International Search Report PCT/US2016/021345, published Sep. 1, 2016.

Examination Report of Application No. 2016101293 by IP Australia, dated Oct. 20, 2016.

Laser Christmas Lights & Outdoor Laser Lights, published Oct. 6, 2015, available at <http://web.archive.org/web/20151006140058/http://www.laserchristmaslights.com>.

Examination Report of Application No. 2016101295 by IP Australia, dated Oct. 20, 2016.

Office Action of Application No. 2,937,150 by Canadian Intellectual Property Office, dated Jan. 26, 2017.

Extended European Search Report of Application No. 16197894.5-1568 by European Patent Office, dated Feb. 17, 2017.

Examination Report of Application No. 2016101293 by IP Australia, dated Feb. 17, 2017.

Extended European Search Report of Application No. 16197893 by European Patent Office, dated Feb. 24, 2017.

Extended European Search Report of Application No. 16197896 by European Patent Office, dated Mar. 13, 2017.

Petition for Post Grant Review of U.S. Pat. No. 9,546,775, dated on Oct. 16, 2017.

Slate, "Know Your Fireworks," published Jul. 1, 2011 (Exhibit 1006 to the Petition for Post Grant Review of U.S. Pat. No. 9,546,775, filed on Oct. 16, 2017).

Webster's Dictionary, 2014, p. 1527, published by Houghton Mifflin Publishing Co. (Exhibit 1007 to the Petition for Post Grant Review of U.S. Pat. No. 9,546,775, filed on Oct. 16, 2017).

Chauvet, EZMiN User Manual, 2013 (Exhibit 1010 to the Petition for Post Grant Review of U.S. Pat. No. 9,546,775, filed on Oct. 16, 2017).

Thor Labs Drawing for Item No. NDC-100C-2M, drawn on Jun. 22, 2012 (Exhibit 1019 to the Petition for Post Grant Review of U.S. Pat. No. 9,546,775, filed on Oct. 16, 2017).

Order Granting Reexamination of U.S. Pat. No. 9,546,775, dated Aug. 1, 2017.

Evaluation Report of Utility Model Patent CN 2016208941741, dated Aug. 3, 2017.

Peatross, Physics of Light and Optics, Mar. 22, 2017, pp. 288-295, 303.

SeresRoad Outdoor Waterproof Star Projector, Landscape Projector, available at www.amazon.com, accessed on Nov. 13, 2015.

Us-vision AGO-2RG Modern Outdoor/ Indoor 20 Patterns Gobos Rg Laser Projector, available at www.amazon.com, accessed Nov. 13, 2015.

Sminiker Outdoor Laser Light Sparkle Magic Lights Landscape Light Holiday Light, available at www.amazon.com, accessed Nov. 13, 2015.

Us-vision Outdoor Holiday Waterproof Green Laser Lighting Show, available at www.amazon.com, accessed Nov. 13, 2015.

Improvements All-metal 4-in-1 Projection Light with Remote, available at www.amazon.com, accessed Nov. 13, 2015.

Klaren Color Laser Light Projector—Improvements, available at www.amazon.com, accessed Nov. 13, 2015.

Light Flurries, available at www.lightflurries.com, accessed Mar. 17, 2016.

Outdoor Indoor Spright Smart Firefly Light with Timer Green, available at www.amazon.com, accessed May 2, 2016.

Blisslights Spright Spring Smart Outdoor Indoor Firefly Light Projector with Timer, available at www.amazon.com, accessed May 2, 2016.

Declaration of Stephen D. Fantone dated Jul. 3, 2017, submitted in support of response to Order to Show Cause (Civil Action No. 2:17-cv-02878).

Everstar Merchandising Product No. 88-506.

Everstar Merchandising Product No. 68-005 (US) / 88-653 (CAN). Request for Ex Parte Reexamination of U.S. Pat. No. 9,546,775, submitted Jul. 13, 2017.

Office Action of Application No. 2,937,150 by Canadian Intellectual Property Office, issued Jun. 30, 2017.

(56)

References Cited

OTHER PUBLICATIONS

Examination Report of Application No. 2017100480 by IP Australia, issued Jun. 8, 2017.

Office Action of Application No. 2,965,063 by Canadian Intellectual Property Office, issued Jun. 16, 2017.

Mr. Christmas Super Green Laser Light Show, available at www.amazon.com, accessed May 2, 2016.

BlissLights Motion Laser, available at www.amazon.com, accessed May 2, 2016.

Color Laser Lights Instructions, published 2014.

BlissLights Spright Smart User Guide, published 2014.

Written Opinion of International Search Authority PCT/US2016/021354, dated Jun. 30, 2016.

International Search Report PCT/US2016/021354, dated Jun. 30, 2016.

International Search Report PCT/US2016/021347, dated May 17, 2016.

Written Opinion of International Search Authority PCT/US2016/021347, dated May 17, 2016.

International Search Report PCT/US2016/021338, dated May 16, 2016.

Written Opinion of International Search Authority PCT/US2016/021338, dated May 16, 2016.

Laser Light, available at www.amazon.com, accessed on Nov. 13, 2015.

Night Stars, available at www.amazon.com, accessed Nov. 13, 2015.

Poeland Garden Laser Landscape, available at www.amazon.com, accessed Nov. 13, 2015.

Remote Controllable RGB Laser, available at www.amazon.com, accessed Nov. 13, 2015.

Newest Garden Tree and Outdoor Wall Decoration Laser, available at www.amazon.com, accessed Nov. 13, 2015.

Pepnice Red and Green Firefly Laser Light, available at www.amazon.com, accessed Nov. 13, 2015.

Klaren Color Laser Light Projector, available at www.amazon.com, accessed Nov. 13, 2015.

Garden Tree and Outdoor Wall Decoration Laser Lights for Holiday Lighting, available at www.amazon.com, accessed Nov. 13, 2015.

Green and Red Light Garden Tree and Outdoor Wall Decoration Laser Lights, available at www.amazon.com, accessed Nov. 13, 2015.

Moving Red and Green 2 Color Laser Landscape Projector Light w/ Remote, available at www.amazon.com, accessed Nov. 13, 2015.

Bliss Lights Spright User's Guide, published online at <http://www.blisslights.com/data/store/tabs/53a0cd9a6c00b.pdf> at least as early as Jun. 27, 2014.

Request for Ex Parte Reexamination of U.S. Pat. No. 9,752,761, submitted Nov. 6, 2017.

Petition for Post Grant Review of U.S. Pat. No. 9,752,761, filed on Nov. 27, 2017.

Order Granting Ex Parte Reexamination of U.S. Pat. No. 9,752,761, dated Aug. 1, 2017.

Color Laser Light Instructions, U.S. Appl. No. 62/025,344 (filed Jul 16, 2014) (Exhibit 1003 to the Petition for Post Grant Review of U.S. Pat. No. 9,752,761, filed on Nov. 27, 2017).

Photographs of Prime Laser Product, Model LFLRG505 (Exhibit 1011 to the Petition for Post Grant Review of U.S. Pat. No. 9,752,761, filed on Nov. 27, 2017).

Prime Wire & Cable, Inc., Laser Light Projector LFLRG505 User Manual (Exhibit 1013 to the Petition for PGR of U.S. Pat. No. 9,752,761, filed on Nov. 27, 2017).

Prime Wire & Cable, Inc., Packaging Specification: LFLRG505, dated Jan. 29, 2014 (Exhibit 1015 to the Petition for PGR of U.S. Pat. No. 9,752,761, filed on Nov. 27, 2017).

Prime Wire & Cable, Inc., Screen Captures of "Laser Lighth Prime" Commercial, Mar. 12, 2014 (Exhibit 1017 to the Petition for PGR of U.S. Pat. No. 9,752,761, filed on Nov. 27, 2017).

Prime Wire & Cable, Inc., Script of Commercial, Mar. 12, 2014 (Exhibit 1018 to the Petition for PGR of U.S. Pat. No. 9,752,761, filed on Nov. 27, 2017).

Prime Wire & Cable, Inc., Model LFLRG505 Purchase Product Specification, Jun. 24, 2014 (Exhibit 1025 to the Petition for PGR of U.S. Pat. No. 9,752,761, filed on Nov. 27, 2017).

Spright Green, <http://www.blisslight.com:80/store/products/spright-green/1452>, Apr. 1, 2014 (Exh 1030 to the Petition for PGR of U.S. Pat. No. 9,752,761, filed on Nov. 27, 2017).

Blisslights, LLC, Technology, <http://www.blisslight.com:80/technology>, Jun. 27, 2014 (Exhibit 1031 to the Petition for PGR of U.S. Pat. No. 9,752,761, filed on Nov. 27, 2017).

Blisslights, LLC, BlissLights Spright User's Guide (Exhibit 1032 to the Petition for PGR of U.S. Pat. No. 9,752,761, filed on Nov. 27, 2017).

Screen capture from <http://web.archive.org/> of lissLights SPRIGHT User's Guide, archived Jul. 16, 2014 (Exhibit 1033 to the PGR Petition of U.S. Pat. No. 9,752,761, filed Nov. 27, 2017).

Blisslights, LLC, BlissLights SPRIGHTsmart User's Guide (Exhibit 1036 to the Petition for PGR of U.S. Pat. No. 9,752,761, filed on Nov. 27, 2017).

Food & Drug Administration, Ratiation-Emitting Products, Feb. 21, 2014 (Exhibit 1037 to the Petition for PGR of U.S. Pat. No. 9,752,761, filed on Nov. 27, 2017).

Food & Drug Administration, Compliance Guide for Laser Products, Jun. 1992 (Exhibit 1040 to the Petition for PGR of U.S. Pat. No. 9,752,761, filed on Nov. 27, 2017).

Sliney, Laser Safety with Consumer and Office Products, Ch 1, p. 1-11, 1980 (Exhibit 1041 to the Petition for PGR of U.S. Pat. No. 9,752,761, filed on Nov. 27, 2017).

Sliney, Safety with Lasers and Other Optical Sources, Ch. 20, p. 625-654, 1980 (Exhibit 1042 to the Petition for PGR of U.S. Pat. No. 9,752,761, filed on Nov. 27, 2017).

Barat, Laser Safety Management, Chapter 1, p. 1-13, copyrighted 2006 (Exhibit 1043 to the Petition for PGR of U.S. Pat. No. 9,752,761, filed on Nov. 27, 2017).

Barat, Laser Safety Management, Chapter 4, p. 45-56, copyrighted 2006 (Exhibit 1044 to the Petition for PGR of U.S. Pat. No. 9,752,761, filed on Nov. 27, 2017).

Barat, Laser Safety Management, Chapter 11, p. 159-187, copyrighted 2006 (Exhibit 1045 to the Petition for PGR of U.S. Pat. No. 9,752,761, filed on Nov. 27, 2017).

Barat, Laser Safety Management, Chapter 15, p. 233-239, copyrighted 2006 (Exhibit 1046 to the Petition for PGR of U.S. Pat. No. 9,752,761, filed on Nov. 27, 2017).

Barat, Laser Safety Management, Glossary, p. 241-252, copyrighted 2006 (Exhibit 1047 to the Petition for PGR of U.S. Pat. No. 9,752,761, filed on Nov. 27, 2017).

Henderson, Laser Safety, p. 366-369, copyrighted 2004 (Exhibit 1048 to the Petition for PGR of U.S. Pat. No. 9,752,761, filed on Nov. 27, 2017).

D. Hochmuth, Diffractive Optics Give Laser Pointers a New Twist, Photonics Spec. Aug. 1995 (Exhibit 1049 to the Petition for PGR of U.S. Pat. No. 9,752,761, filed on Nov. 27, 2017).

Herzig, Diffractive Components: Holographic Optical Elements, p. 43-44, copyrighted 1993 (Exhibit 1051 to the Petition for PGR of U.S. Pat. No. 9,752,761, filed on Nov. 27, 2017).

The Paramount Org., Inc., Laser Spectacular, at www.pinkfloydshow.com/about, Nov. 7, 2017 (Exhibit 1052 to the PGR Petition of U.S. Pat. No. 9,752,761, filed on Nov. 27, 2017).

Wikipedia, Pink Floyd, https://en.wikipedia.org/wiki/Pink_Floyd_live_performances, Nov. 7, 2017 (Exhibit 1053 to the PGR Petition of U.S. Pat. No. 9,752,761, filed on Nov. 27, 2017).

Request for Ex Parte Reexamination of U.S. Pat. No. 9,869,459, dated Jan. 16, 2018.

Written Opinion of International Search Authority PCT/US17/053457, published on Jan. 9, 2018.

International Search Report PCT/US17/053457, published on Jan. 9, 2018.

* cited by examiner

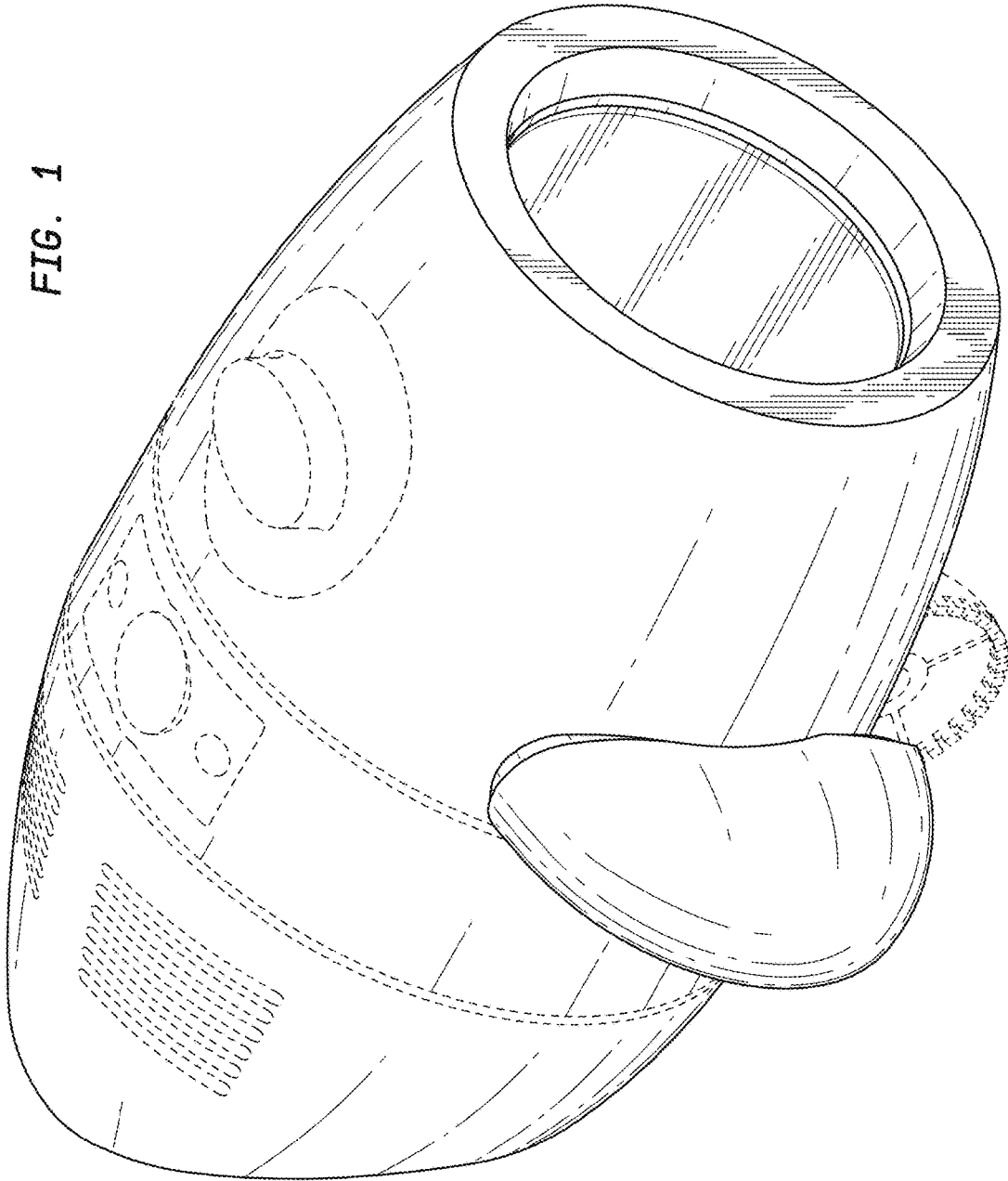


FIG. 1

FIG. 2

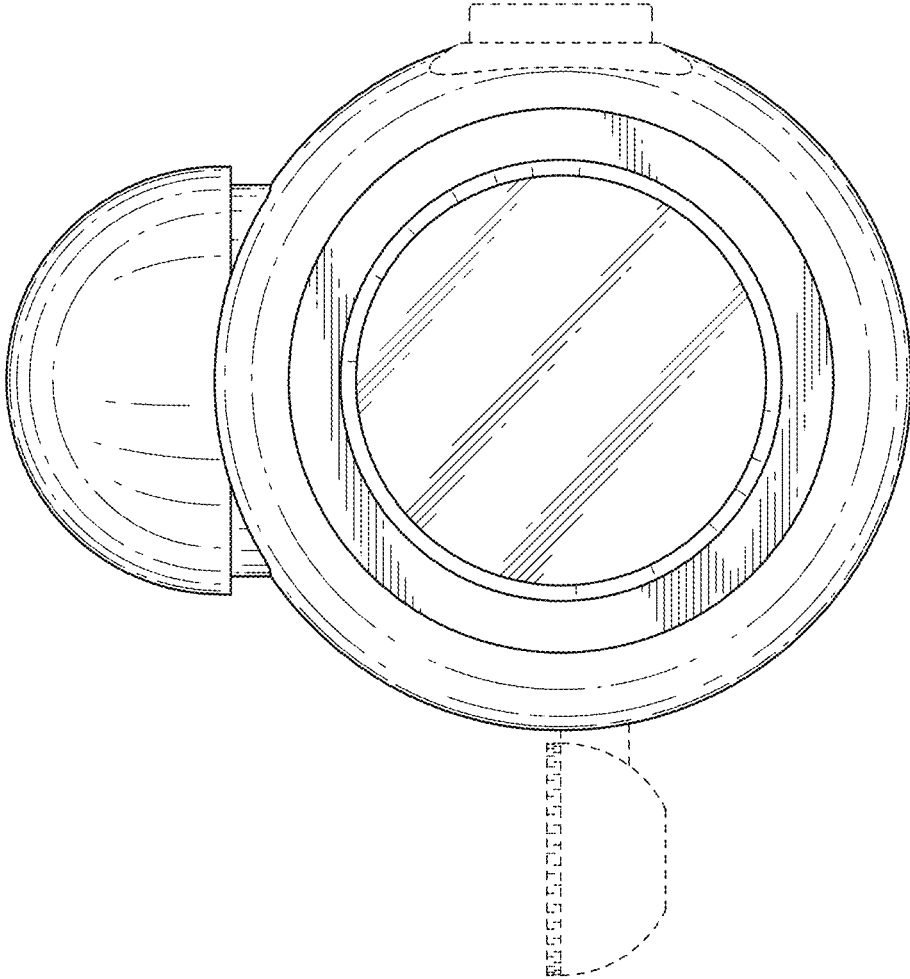


FIG. 3

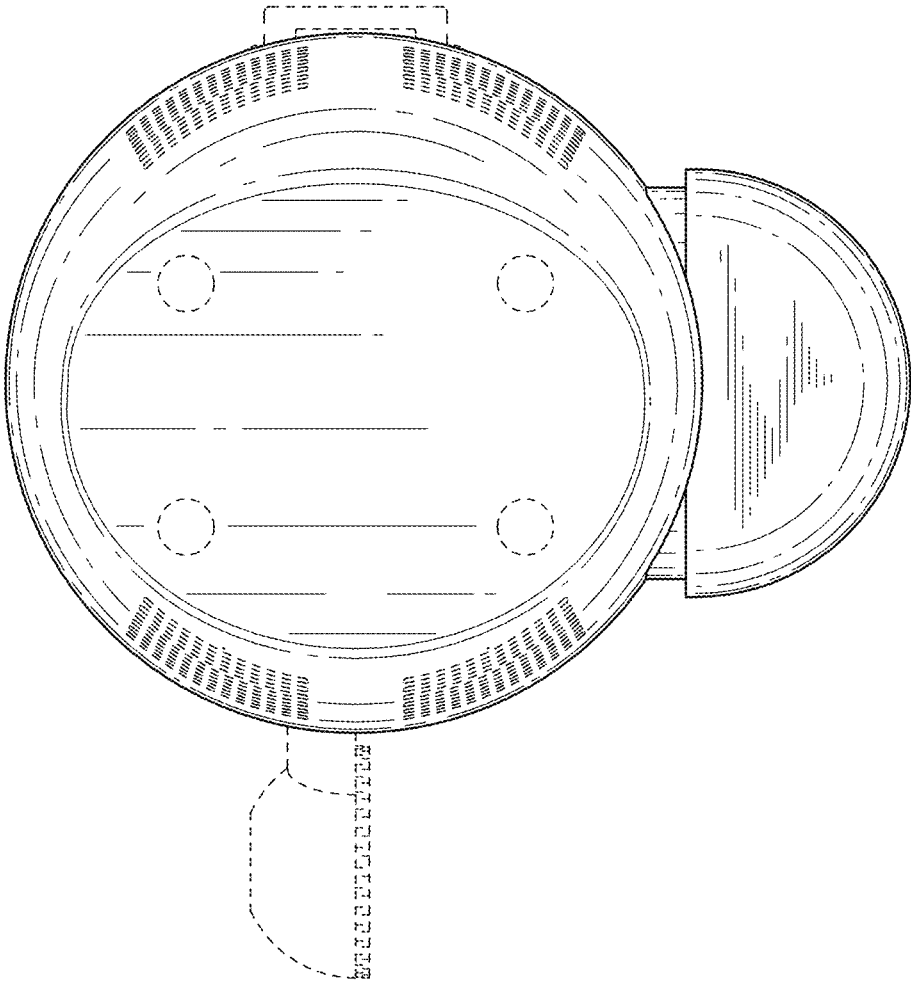


FIG. 4

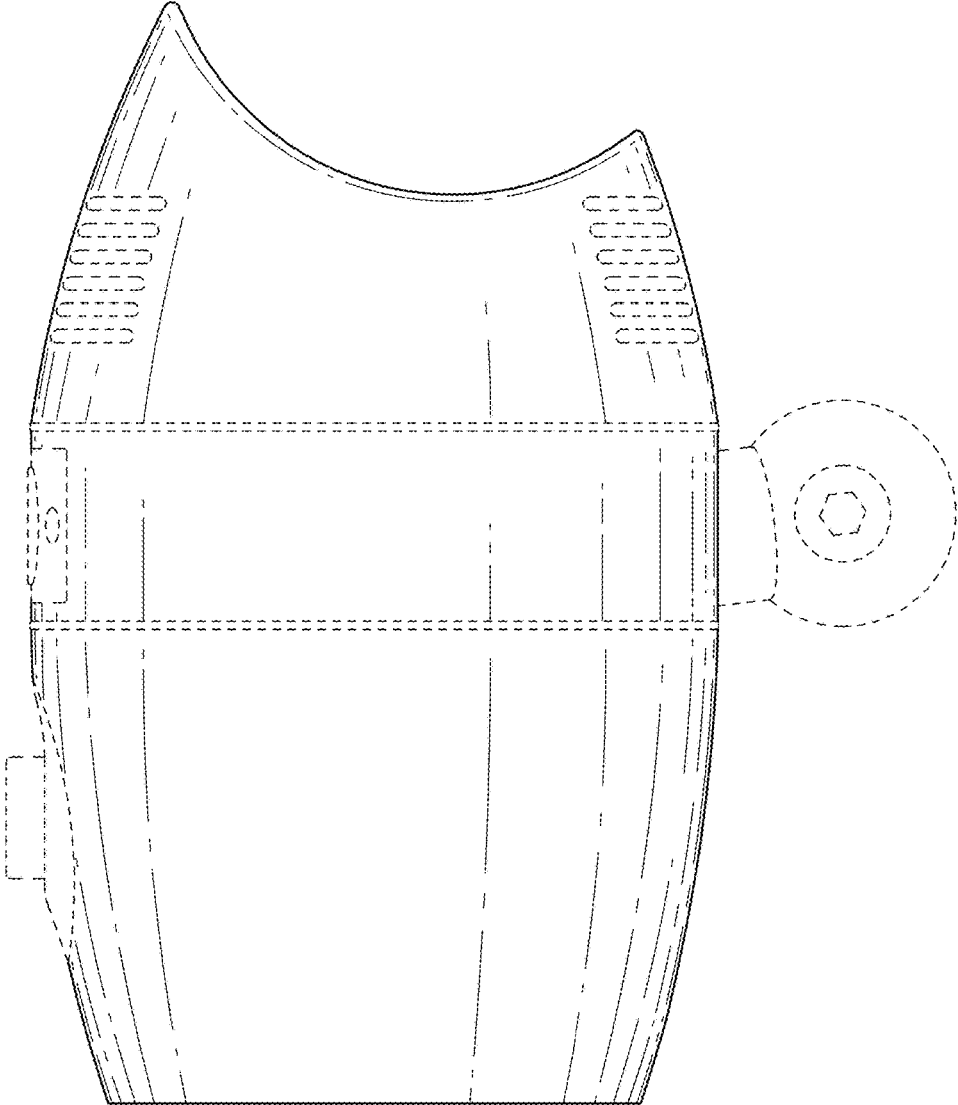


FIG. 5

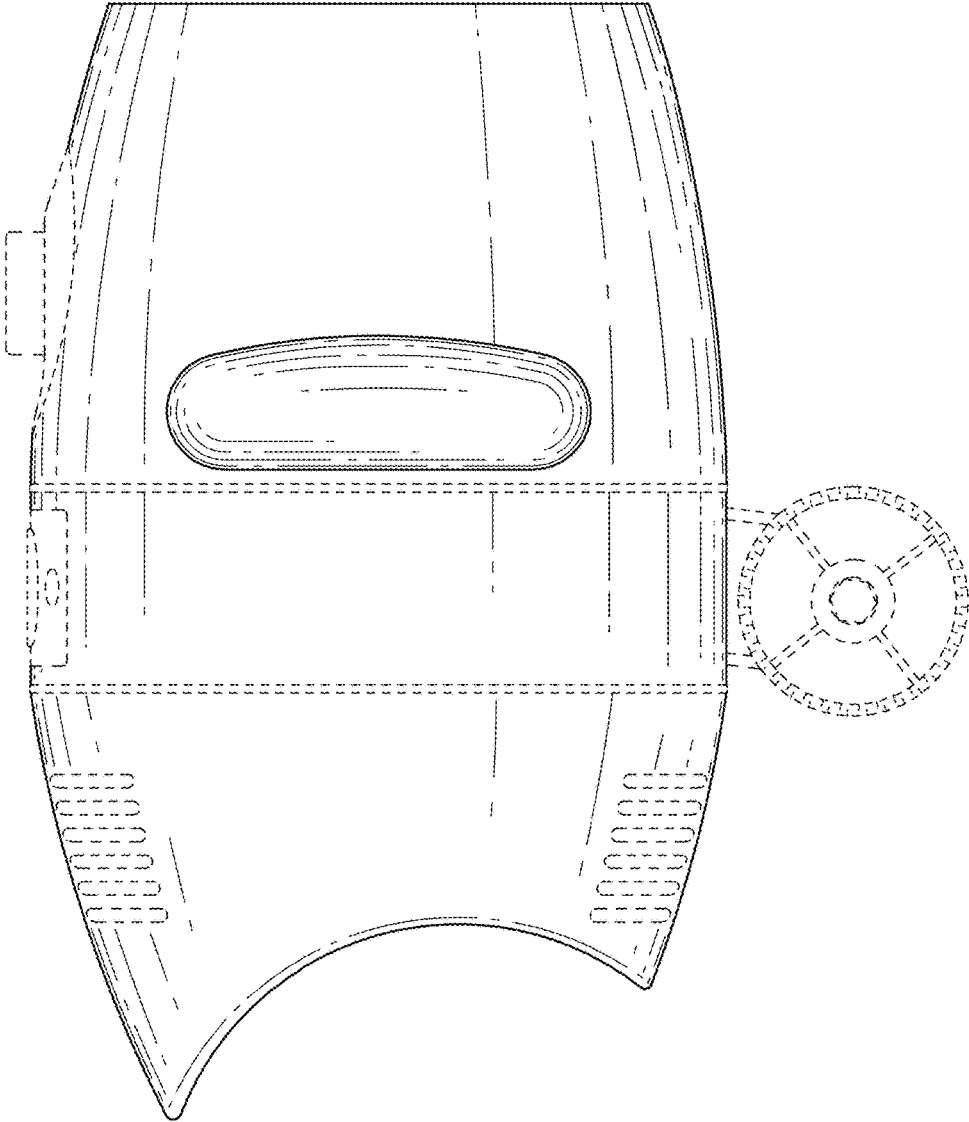


FIG. 6

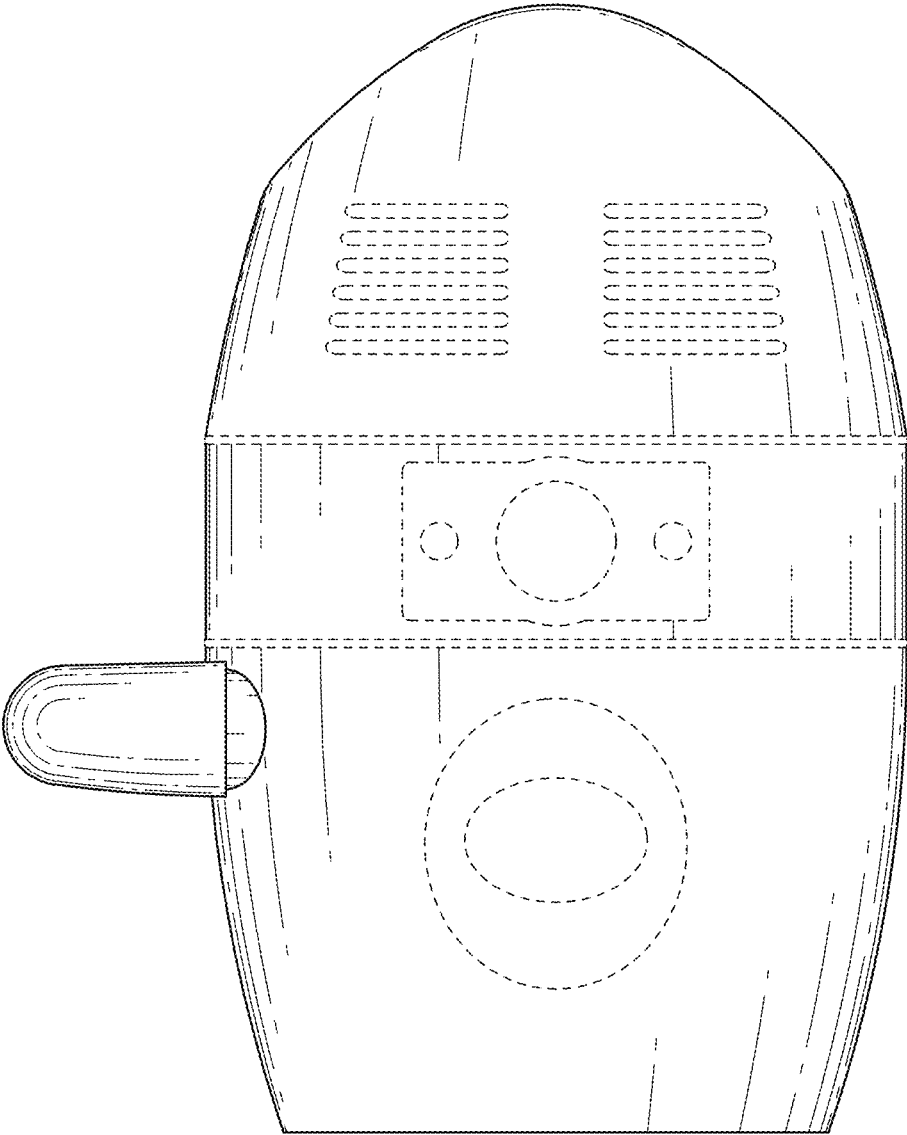


FIG. 7

