



US00D792148S

(12) **United States Design Patent**  
**Chung**

(10) **Patent No.:** **US D792,148 S**

(45) **Date of Patent:** **\*\* Jul. 18, 2017**

- (54) **BARBECUE GRILL**
- (71) Applicant: **Shu-Jui Chung**, Taichung (TW)
- (72) Inventor: **Shu-Jui Chung**, Taichung (TW)
- (\*\*) Term: **15 Years**
- (21) Appl. No.: **29/542,108**
- (22) Filed: **Oct. 10, 2015**
- (51) **LOC (10) Cl.** ..... **07-02**
- (52) **U.S. Cl.**  
USPC ..... **D7/334**
- (58) **Field of Classification Search**  
USPC ..... D7/323-337, 402-407, 362, 416, 417,  
D7/357, 408; 126/25 R, 9 R; D23/343,  
D23/415, 350, 348, 403, 409, 416, 418,  
D23/419; D22/112; D26/8  
CPC ..... A47J 33/00; A47J 37/04; A47J 37/041;  
A47J 37/07-37/0713; A47J  
37/718-37/0727; A47J 37/0731; A47J  
37/074; A47J 37/0781; A47J 2037/0777;  
A47J 37/0786; A47J 37/079; A47J 36/26;  
A47J 36/36; F24B 1/02; F24B 1/022;  
F24B 1/18; F24B 1/182; F24B 1/202;  
F24B 1/181; F24C 3/14; F24C 1/16;  
F24C 15/10; F23D 14/00-14/10; F23D  
91/00; B05B 17/08  
See application file for complete search history.

|              |    |   |         |        |       |                          |
|--------------|----|---|---------|--------|-------|--------------------------|
| D510,838     | S  | * | 10/2005 | Nipke  | ..... | D7/334                   |
| D516,366     | S  | * | 3/2006  | Nipke  | ..... | D7/334                   |
| D528,847     | S  | * | 9/2006  | Chung  | ..... | D7/334                   |
| D619,416     | S  | * | 7/2010  | Bailey | ..... | D7/402                   |
| D623,003     | S  | * | 9/2010  | Chung  | ..... | D7/334                   |
| D717,094     | S  | * | 11/2014 | Chung  | ..... | D7/334                   |
| D717,096     | S  | * | 11/2014 | Chung  | ..... | D7/334                   |
| D717,097     | S  | * | 11/2014 | Lin    | ..... | D7/334                   |
| D753,430     | S  | * | 4/2016  | Wagner | ..... | D7/334                   |
| 2011/0209695 | A1 | * | 9/2011  | Yeh    | ..... | A47J 37/0704<br>126/25 A |
| 2016/0051089 | A1 | * | 2/2016  | Ahmed  | ..... | A47J 37/0709<br>126/25 R |

\* cited by examiner

*Primary Examiner* — Susan Bennett Hattan  
*Assistant Examiner* — Brett Miller

(57) **CLAIM**

I claim the ornamental design for a barbecue grill, as shown and described.

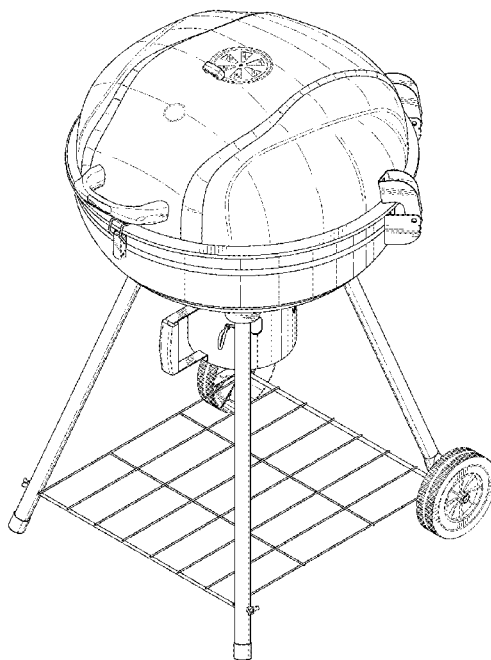
**DESCRIPTION**

FIG. 1 is a perspective view of a barbecue grill, showing my new design;  
FIG. 2 is a front elevational view thereof;  
FIG. 3 is a rear elevational view thereof;  
FIG. 4 is a left side elevational view thereof;  
FIG. 5 is a right side elevational view thereof;  
FIG. 6 is a top plan view thereof; and,  
FIG. 7 is a bottom plan view thereof.

**1 Claim, 7 Drawing Sheets**

(56) **References Cited**  
U.S. PATENT DOCUMENTS

|          |   |   |         |         |       |        |
|----------|---|---|---------|---------|-------|--------|
| D466,359 | S | * | 12/2002 | Bossler | ..... | D7/334 |
| D507,927 | S | * | 8/2005  | Nipke   | ..... | D7/334 |



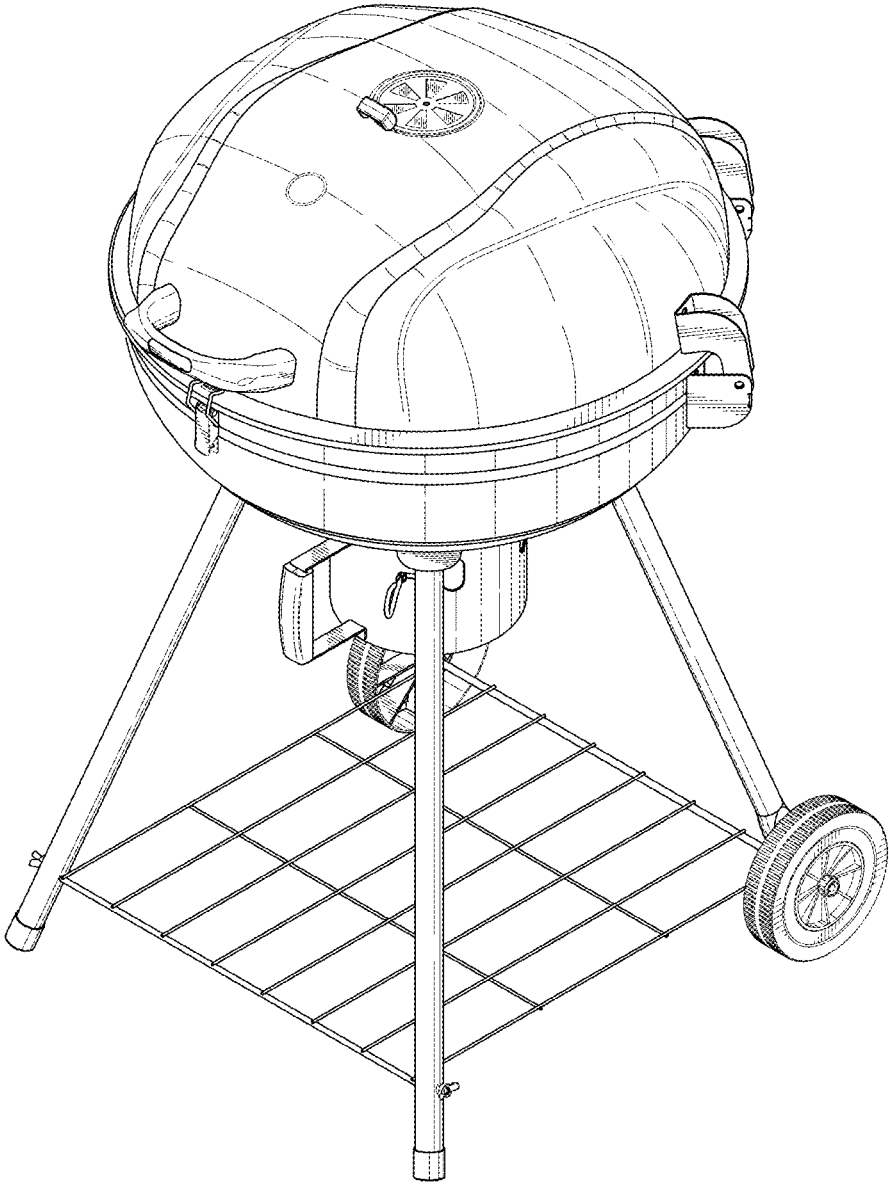


FIG. 1

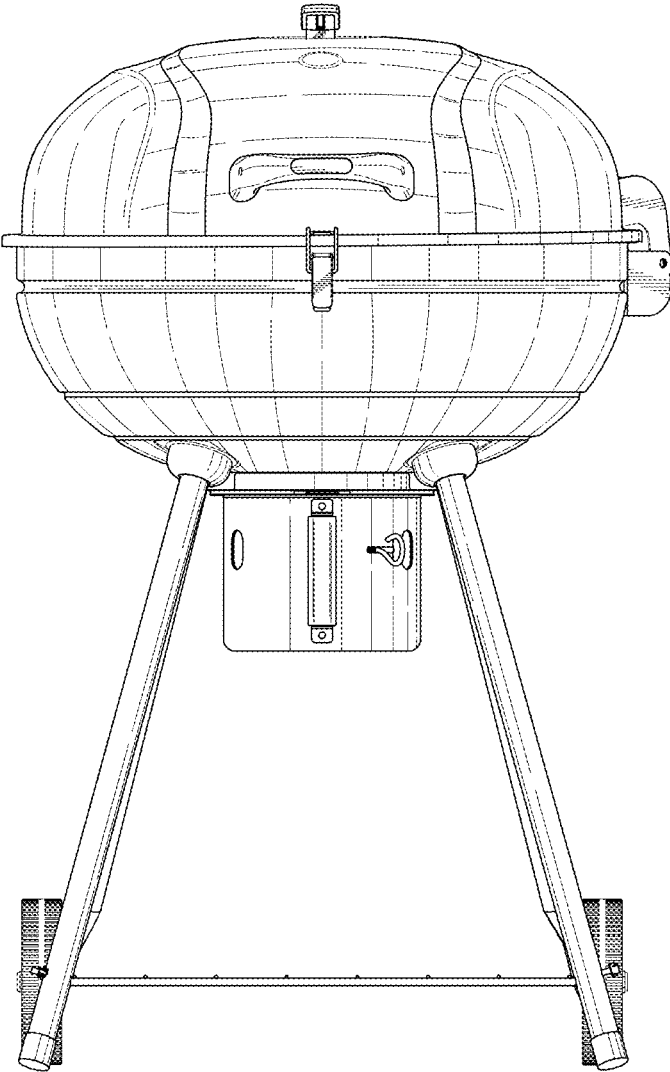


FIG. 2

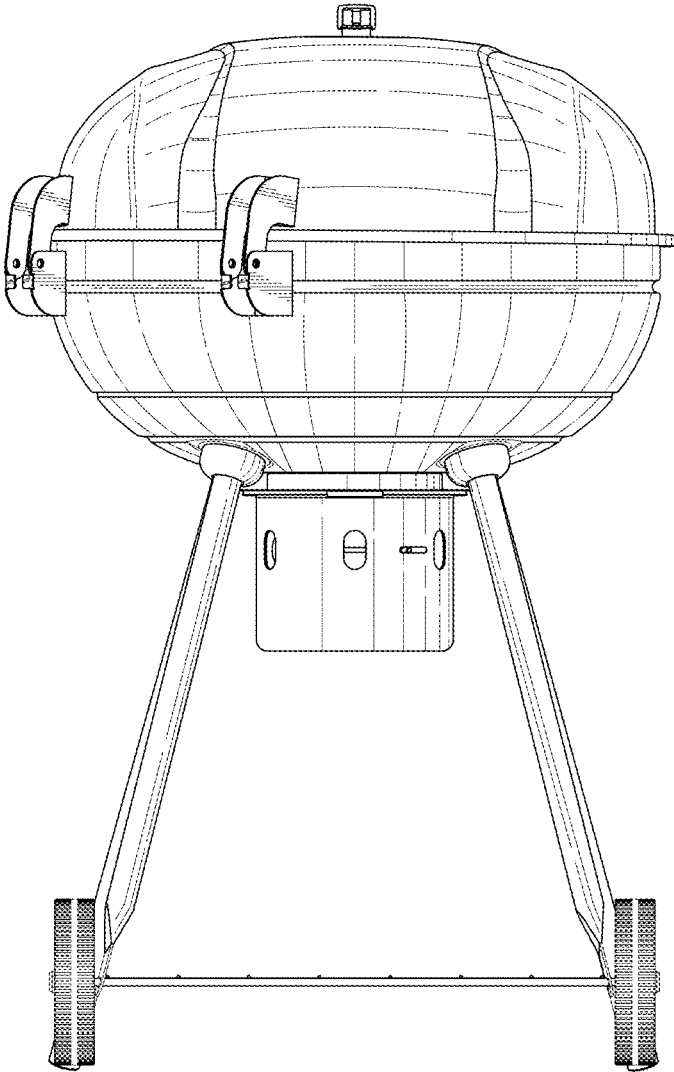


FIG. 3

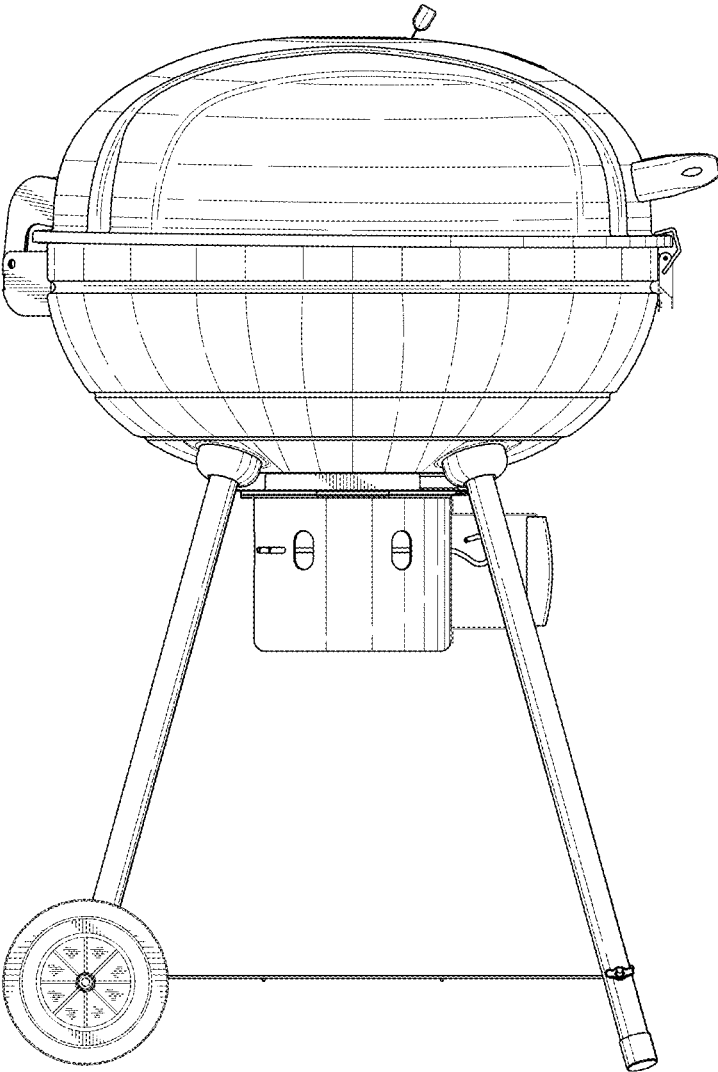


FIG. 4

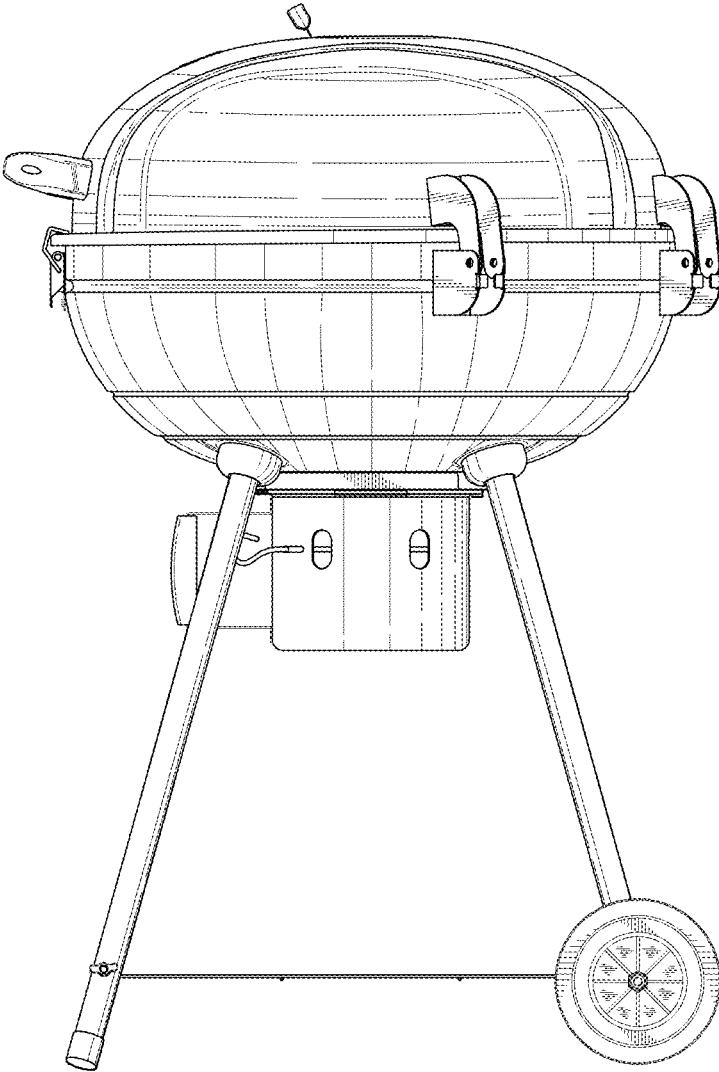


FIG. 5

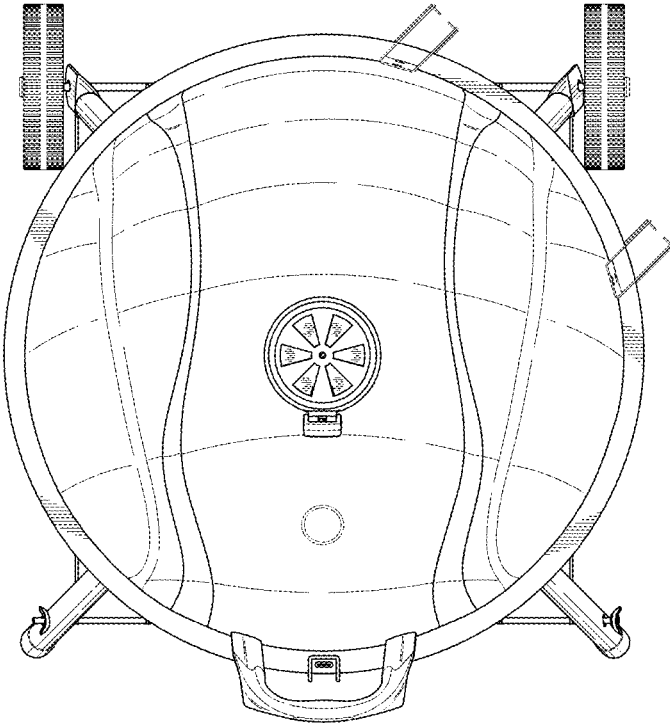


FIG. 6

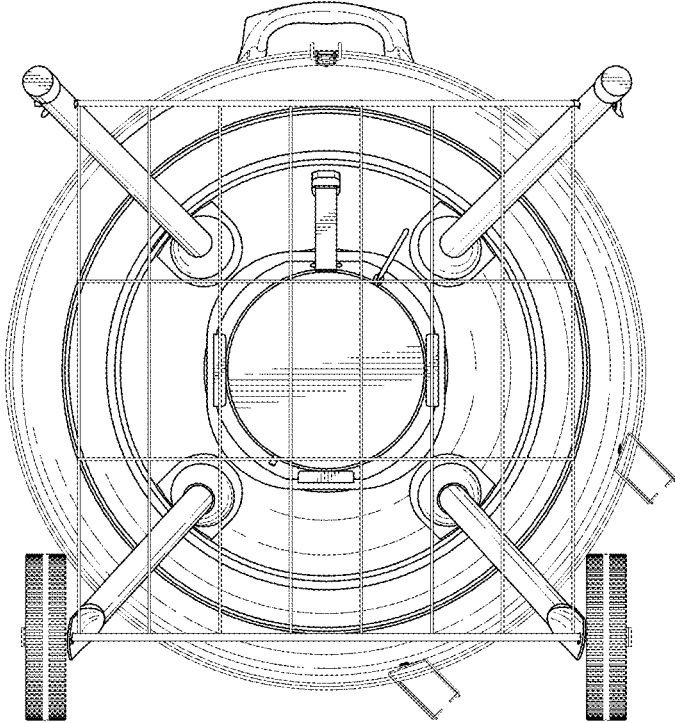


FIG. 7