



US00D705437S

(12) **United States Design Patent**
Chamberlin et al.

(10) **Patent No.:** **US D705,437 S**

(45) **Date of Patent:** **** May 20, 2014**

(54) **INSTRUMENT**

422/500, 547; 436/43, 45, 47; 435/287.1,
435/287.3

(71) Applicants: **Ian Chamberlin**, Burtonsville, MD
(US); **Charles M. Clinton**, Clarksburg,
MD (US); **Eli N. Glezer**, Del Mar, CA
(US); **Manish Kochar**, Rockville, MD
(US); **Sandor Kovacs**, Middletown, DE
(US); **Aaron Leimkuehler**, Pittsburgh,
PA (US); **Rodger Darin Osborne**,
Stuart, FL (US); **Jacob N. Wohlstadter**,
Potomac, MD (US)

See application file for complete search history.

(56) **References Cited**

U.S. PATENT DOCUMENTS

D406,900	S	*	3/1999	Murrell et al.	D24/232
D493,232	S	*	7/2004	Wohlstadter et al.	D24/216
D649,075	S	*	11/2011	Chan et al.	D10/81
D657,067	S	*	4/2012	Shibata	D24/216
D671,227	S	*	11/2012	Parker et al.	D24/216
2009/0263904	A1	*	10/2009	Clinton et al.	436/48
2011/0076716	A1	*	3/2011	Wada	435/287.1
2011/0220777	A1	*	9/2011	Clinton et al.	250/208.1
2011/0300565	A1	*	12/2011	Furusato et al.	435/14

* cited by examiner

Primary Examiner — Anhdao Doan

(74) *Attorney, Agent, or Firm* — Scully, Scott, Murphy & Presser, P.C.

(57) **CLAIM**

The ornamental design for an instrument, as shown and described.

DESCRIPTION

FIG. 1 is a perspective view of the instrument showing our new and ornamental design;
FIG. 2 is a front view thereof;
FIG. 3 is back view thereof;
FIG. 4 is left view thereof;
FIG. 5 is a right view thereof; and,
FIG. 6 is a top view thereof.

The broken lines in FIG. 6 illustrate unclaimed portions of the instrument and form no part of the claimed design.

1 Claim, 6 Drawing Sheets

(72) Inventors: **Ian Chamberlin**, Burtonsville, MD
(US); **Charles M. Clinton**, Clarksburg,
MD (US); **Eli N. Glezer**, Del Mar, CA
(US); **Manish Kochar**, Rockville, MD
(US); **Sandor Kovacs**, Middletown, DE
(US); **Aaron Leimkuehler**, Pittsburgh,
PA (US); **Rodger Darin Osborne**,
Stuart, FL (US); **Jacob N. Wohlstadter**,
Potomac, MD (US)

(73) Assignee: **Meso Scale Technologies, LLC.**,
Rockville, MD (US)

(**) Term: **14 Years**

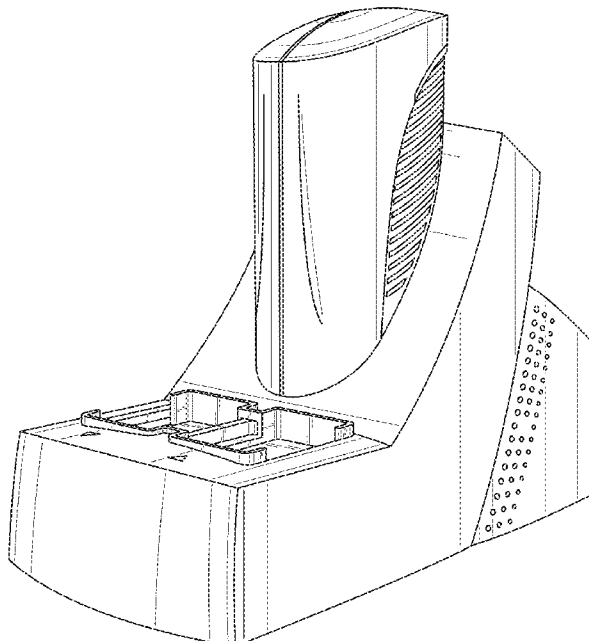
(21) Appl. No.: **29/440,887**

(22) Filed: **Dec. 28, 2012**

(51) **LOC (10) Cl.** **24-01**

(52) **U.S. Cl.**
USPC **D24/216**

(58) **Field of Classification Search**
USPC D24/216, 217, 219, 223, 231, 232, 233,
D24/107, 169, 186; D10/81; 422/62-65, 67,



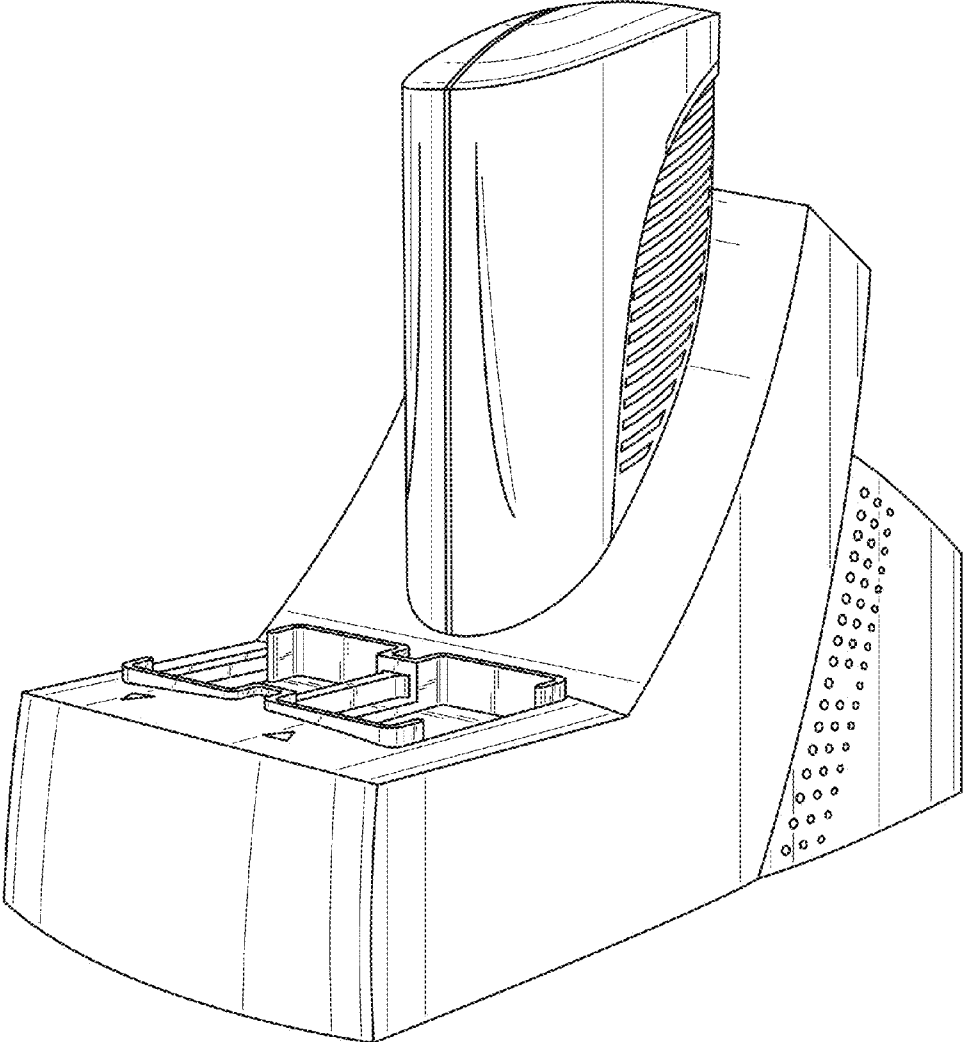


FIG. 1

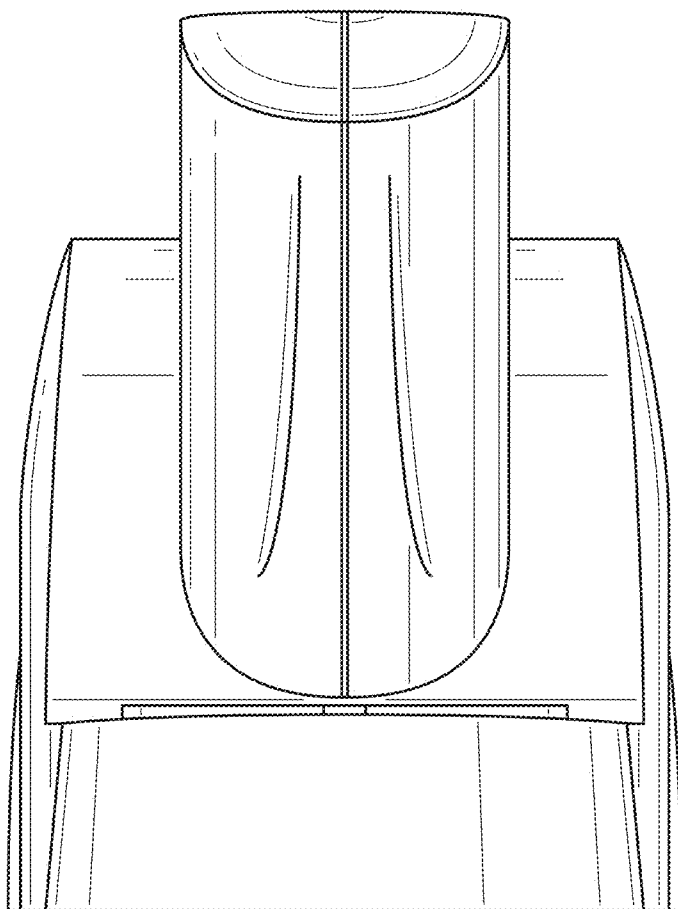


FIG. 2

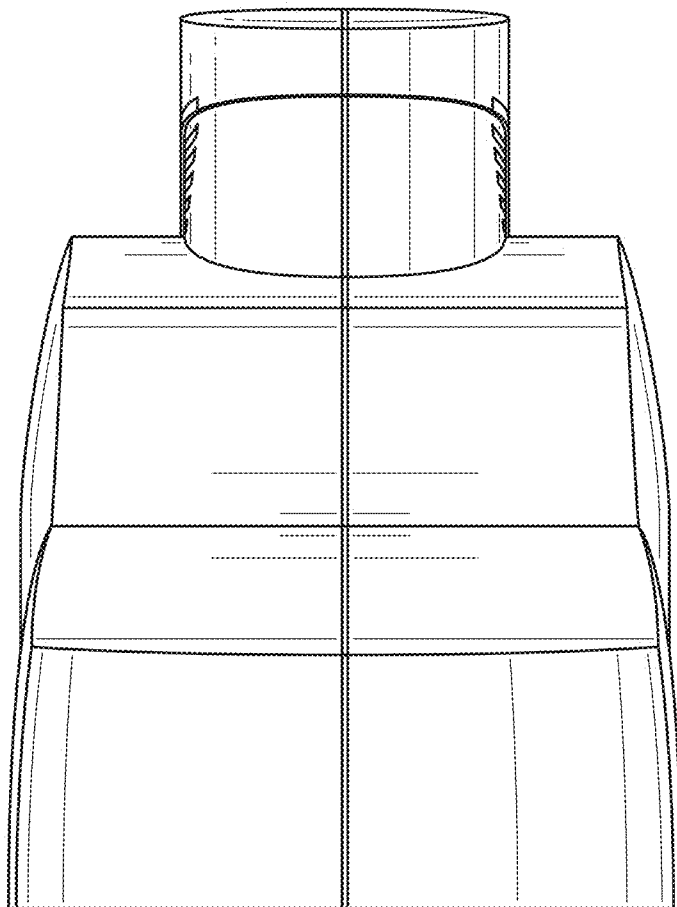


FIG. 3

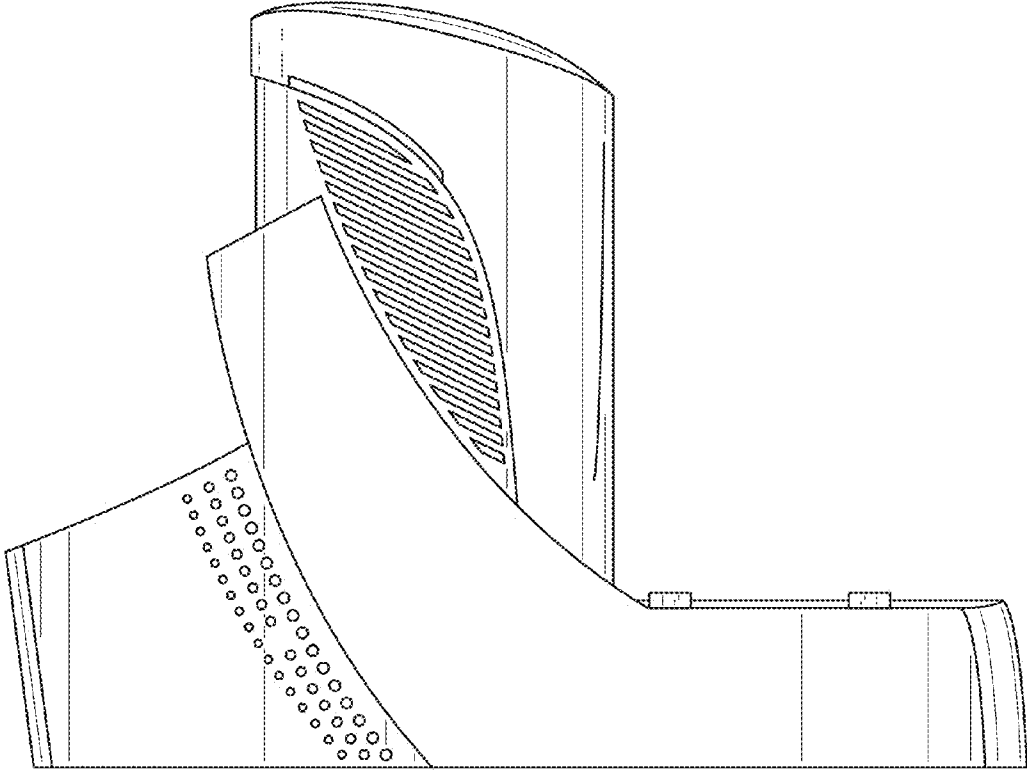


FIG. 4

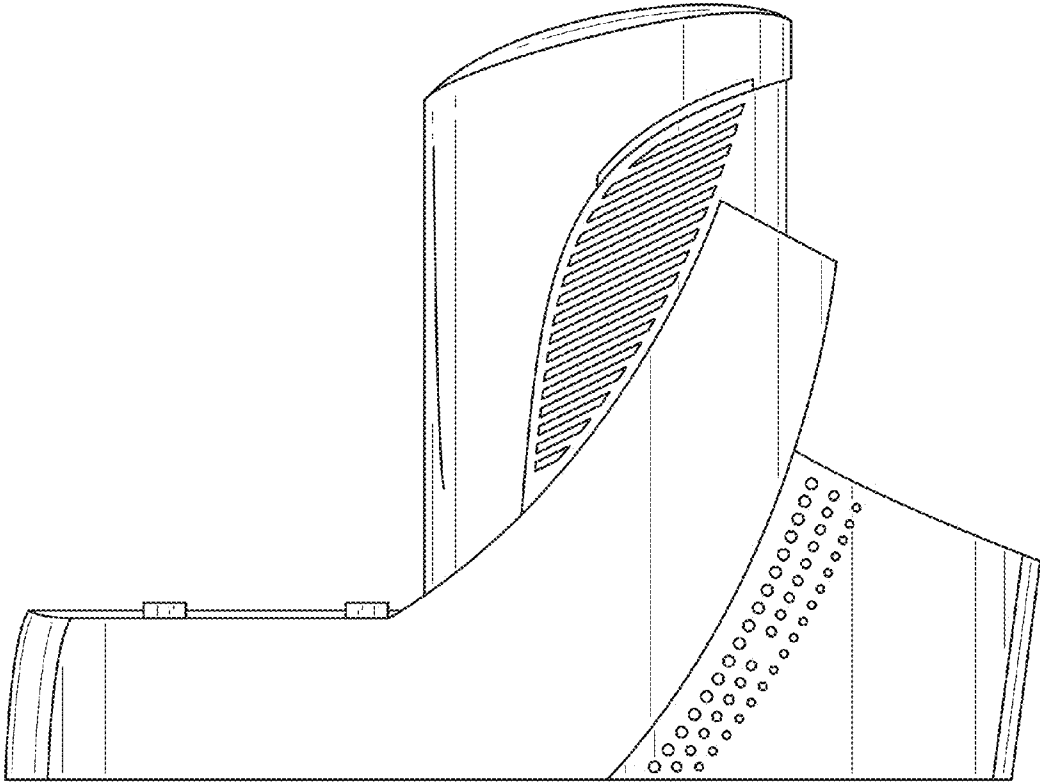


FIG. 5

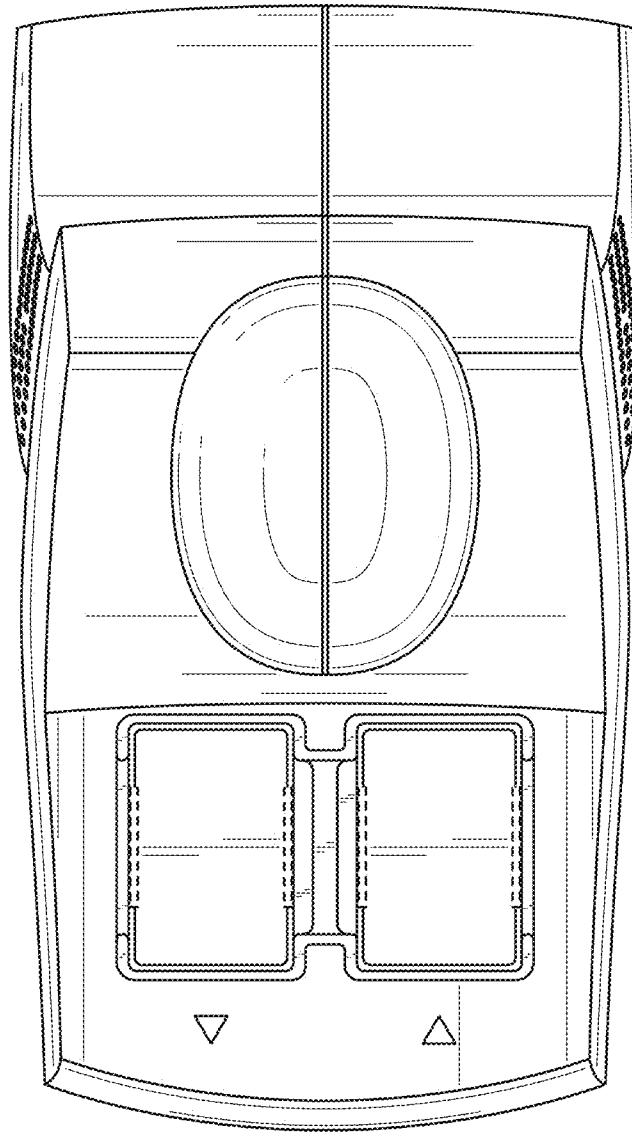


FIG. 6