



US00D575309S

(12) **United States Design Patent**
Steinfels et al.

(10) **Patent No.:** **US D575,309 S**

(45) **Date of Patent:** **** Aug. 19, 2008**

(54) **AIR COMPRESSOR**

(75) Inventors: **Craig R. Steinfels**, Jackson, TN (US);
Stephen J. Vos, Jackson, TN (US)

(73) Assignee: **Black & Decker Inc.**, Newark, DE (US)

(**) Term: **14 Years**

(21) Appl. No.: **29/295,016**

(22) Filed: **Sep. 20, 2007**

Related U.S. Application Data

(62) Division of application No. 29/250,452, filed on Nov. 15, 2006, now Pat. No. Des. 553,647.

(51) **LOC (8) Cl.** **15-02**

(52) **U.S. Cl.** **D15/9**

(58) **Field of Classification Search** D15/7-9;
D23/231, 232; 417/410.1, 359, 415-416,
417/234, 321, 265, 405

See application file for complete search history.

(56) **References Cited**

U.S. PATENT DOCUMENTS

D223,039 S *	2/1972	Widmer	D15/7
D460,763 S	7/2002	Buck		
D461,196 S	8/2002	Buck		
D482,371 S	11/2003	Buck		
D487,096 S	2/2004	Buck		
D487,097 S	2/2004	Buck		
D491,197 S	6/2004	Stilwell et al.		
D493,179 S	7/2004	Buck		
D499,120 S	11/2004	Buck		
D499,430 S	12/2004	Buck		
D499,747 S	12/2004	Buck		
D512,075 S	11/2005	Buck		
D531,191 S	10/2006	Smith et al.		

D531,644 S	11/2006	Smith et al.		
D537,840 S	3/2007	Smith et al.		
D537,841 S	3/2007	Smith et al.		
D541,306 S *	4/2007	Welsh et al.	D15/9
D553,647 S *	10/2007	Steinfels et al.	D15/9
D559,272 S *	1/2008	Buck et al.	D15/9

OTHER PUBLICATIONS

Porter Cable—Job Boss (TM) 4.5 Gallon 150 PSI Portable Air Compressor Model No.: C3551 <http://www.porter-cable.com/index.asp?e=4434&t=t&p=4797>.

Coleman—PowerMate (R)—Contractor BS0880504 Air Compressor (Refurb) Model No.: RE 0880504 <http://www.buypowermate.com/product.asp?product=RE0880504§ion=AC>.

* cited by examiner

Primary Examiner—R. Seifert

(74) *Attorney, Agent, or Firm*—Michael P. Leary; Adan Ayala

(57) **CLAIM**

The ornamental design for an air compressor, as shown and described.

DESCRIPTION

FIG. 1 is a right/front perspective view of an air compressor showing our new design.

FIG. 2 is a front view thereof.

FIG. 3 is a rear view thereof.

FIG. 4 is a right view thereof.

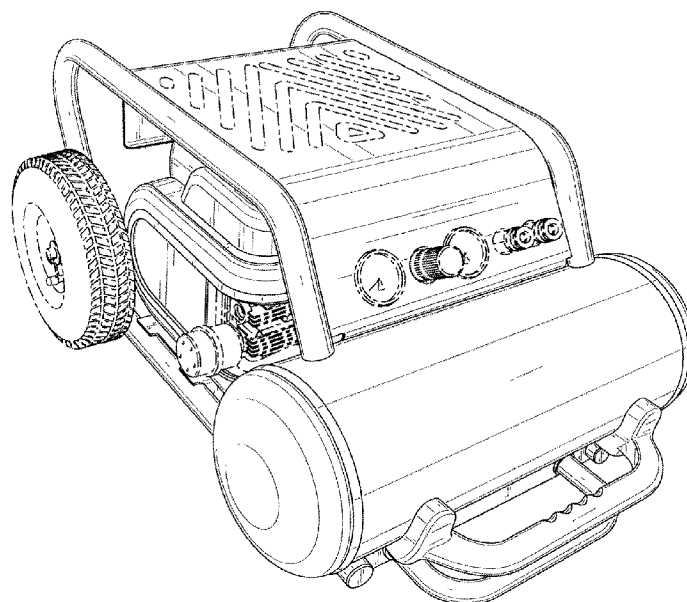
FIG. 5 is a left side view thereof.

FIG. 6 is a top side view thereof; and,

FIG. 7 is a bottom view thereof.

The broken lines and the areas within the broken lines form no part of the claimed ornamental design.

1 Claim, 7 Drawing Sheets



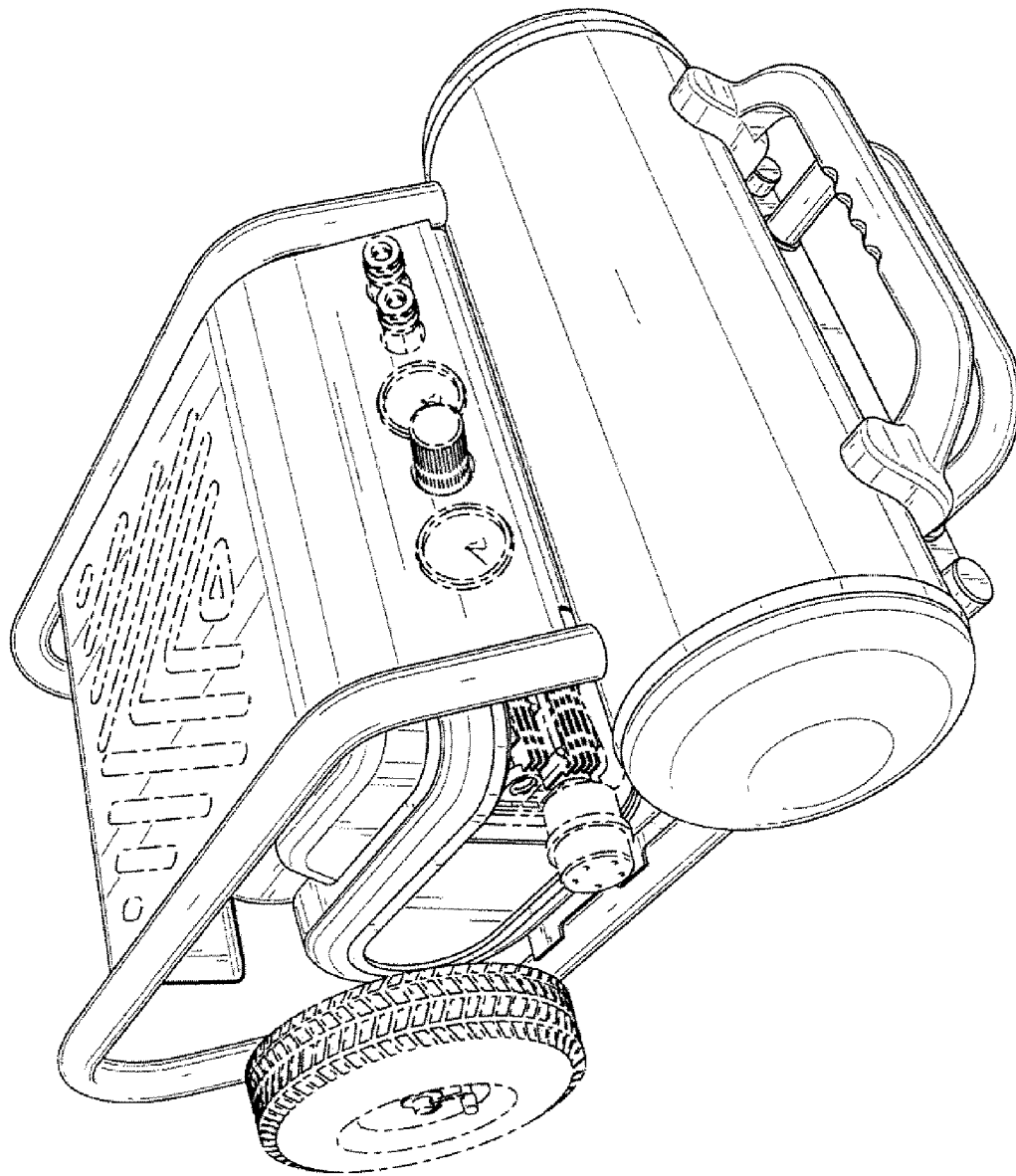


FIG. 1

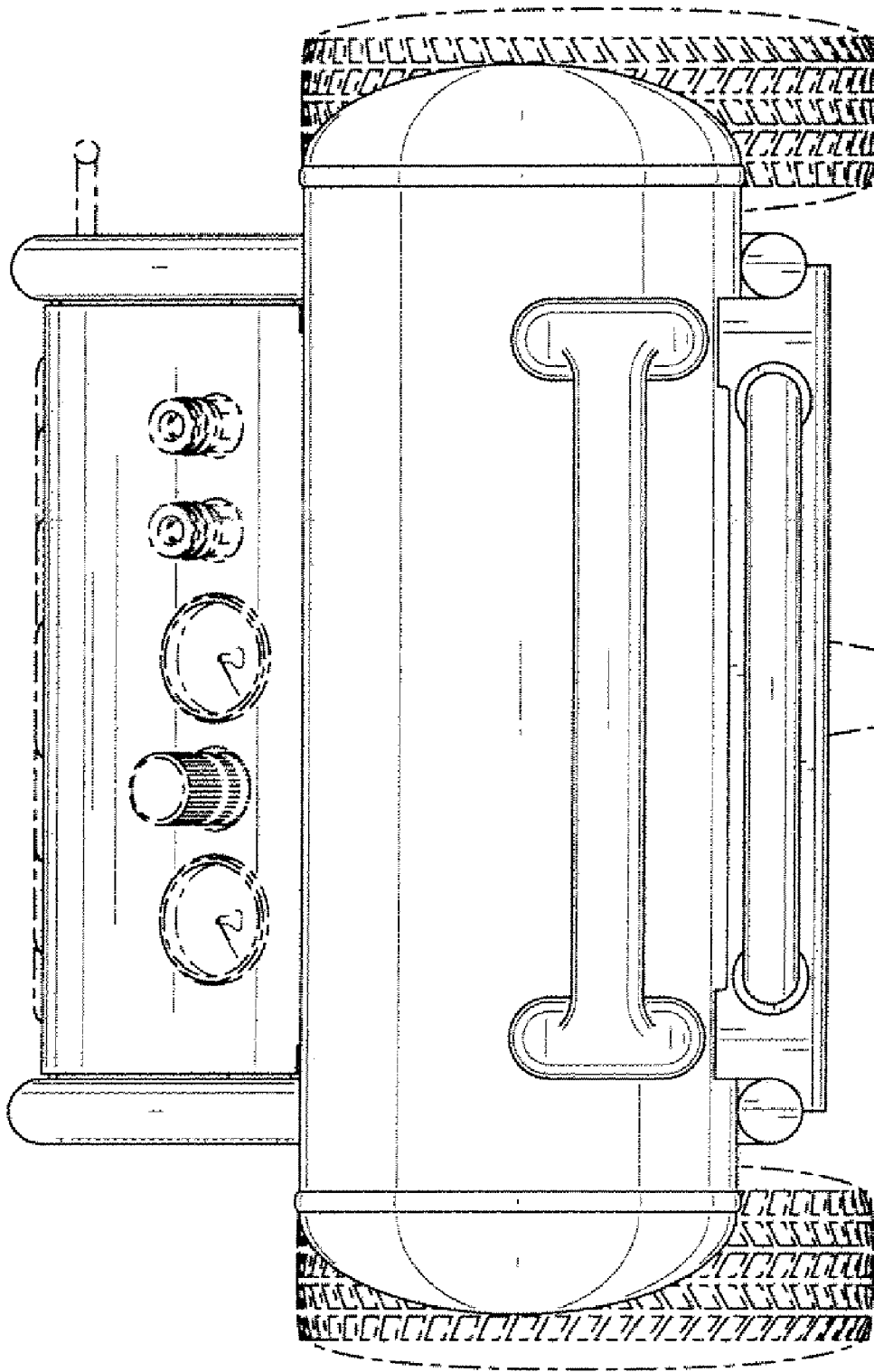


FIG. 2

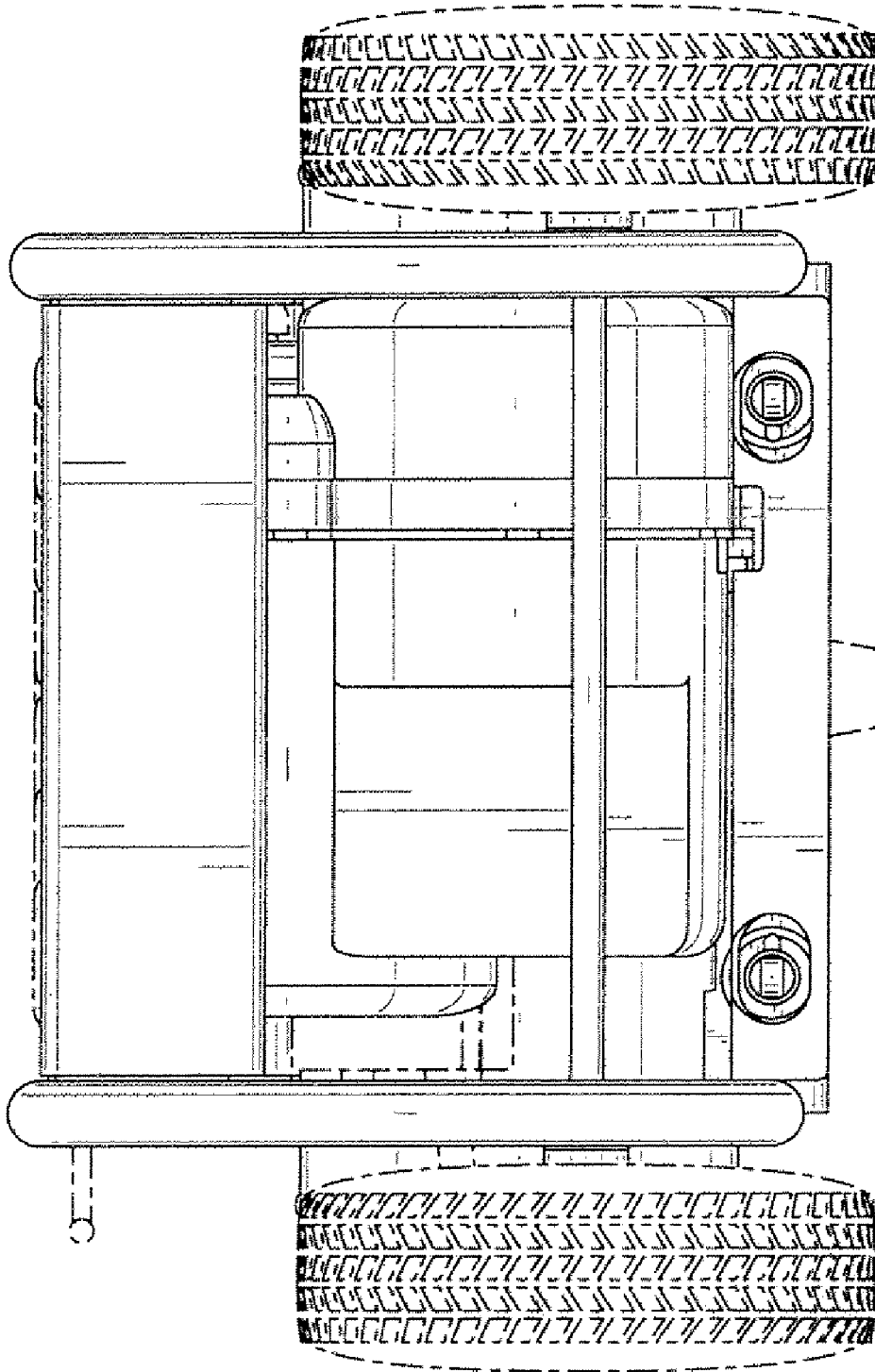


FIG. 3

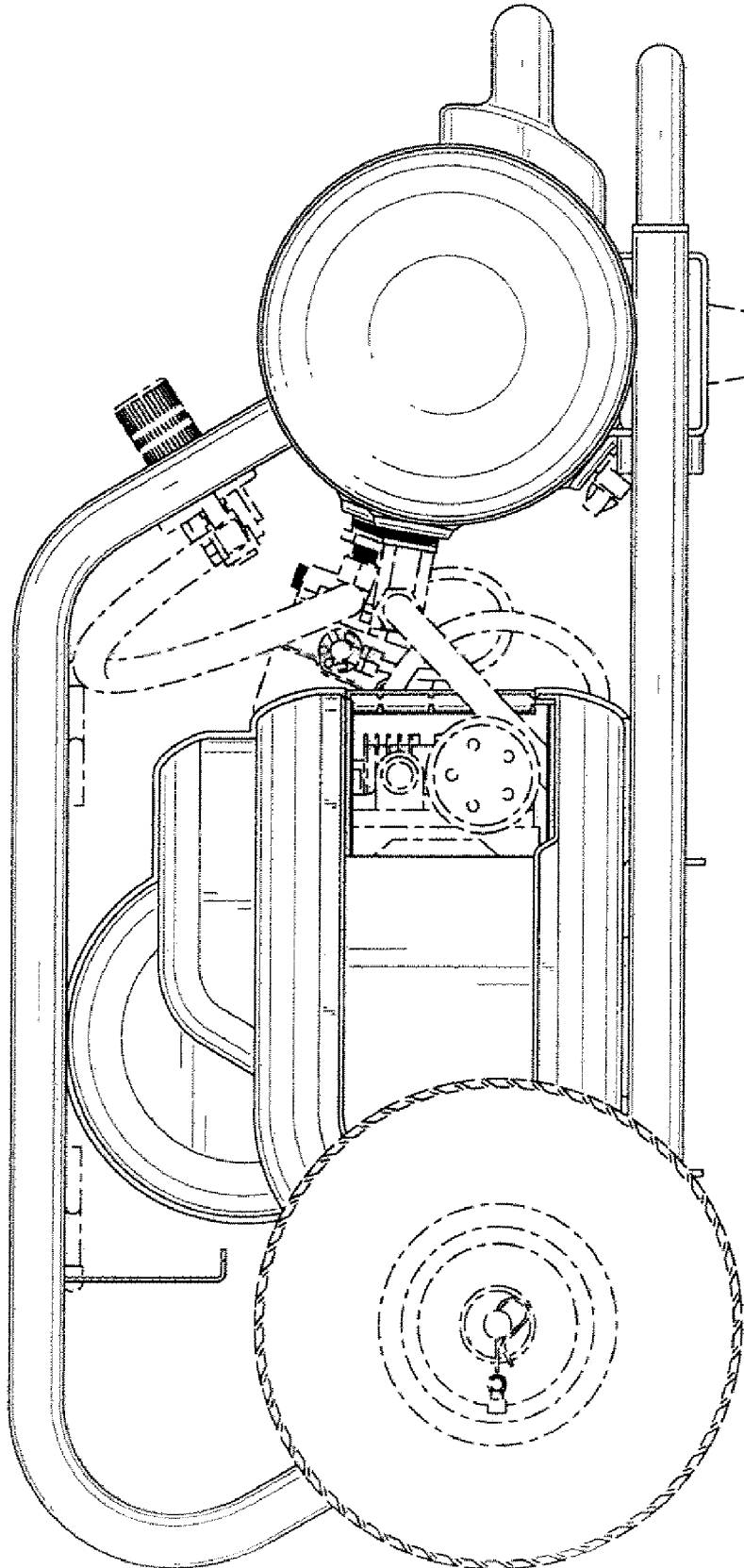


FIG. 4

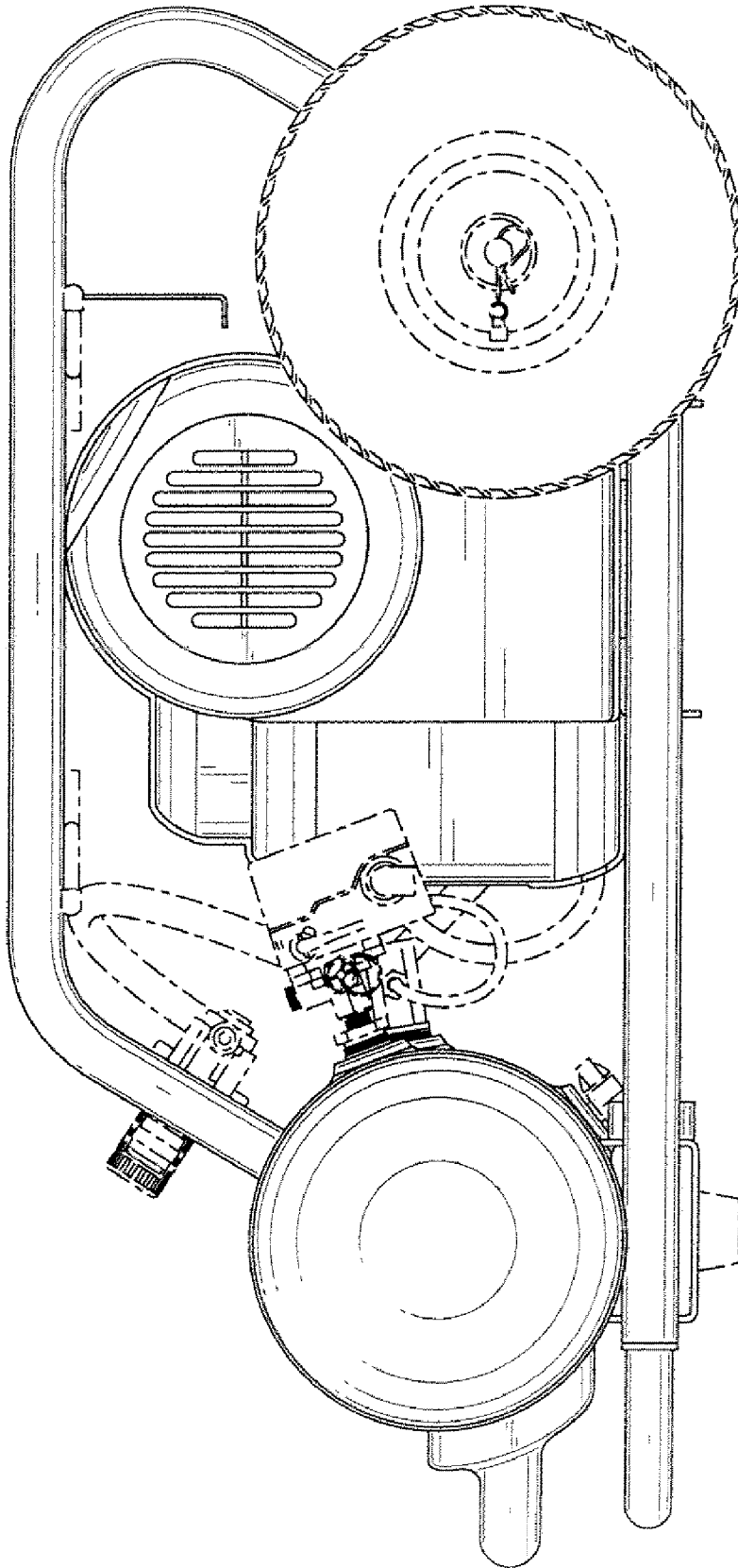


FIG. 5

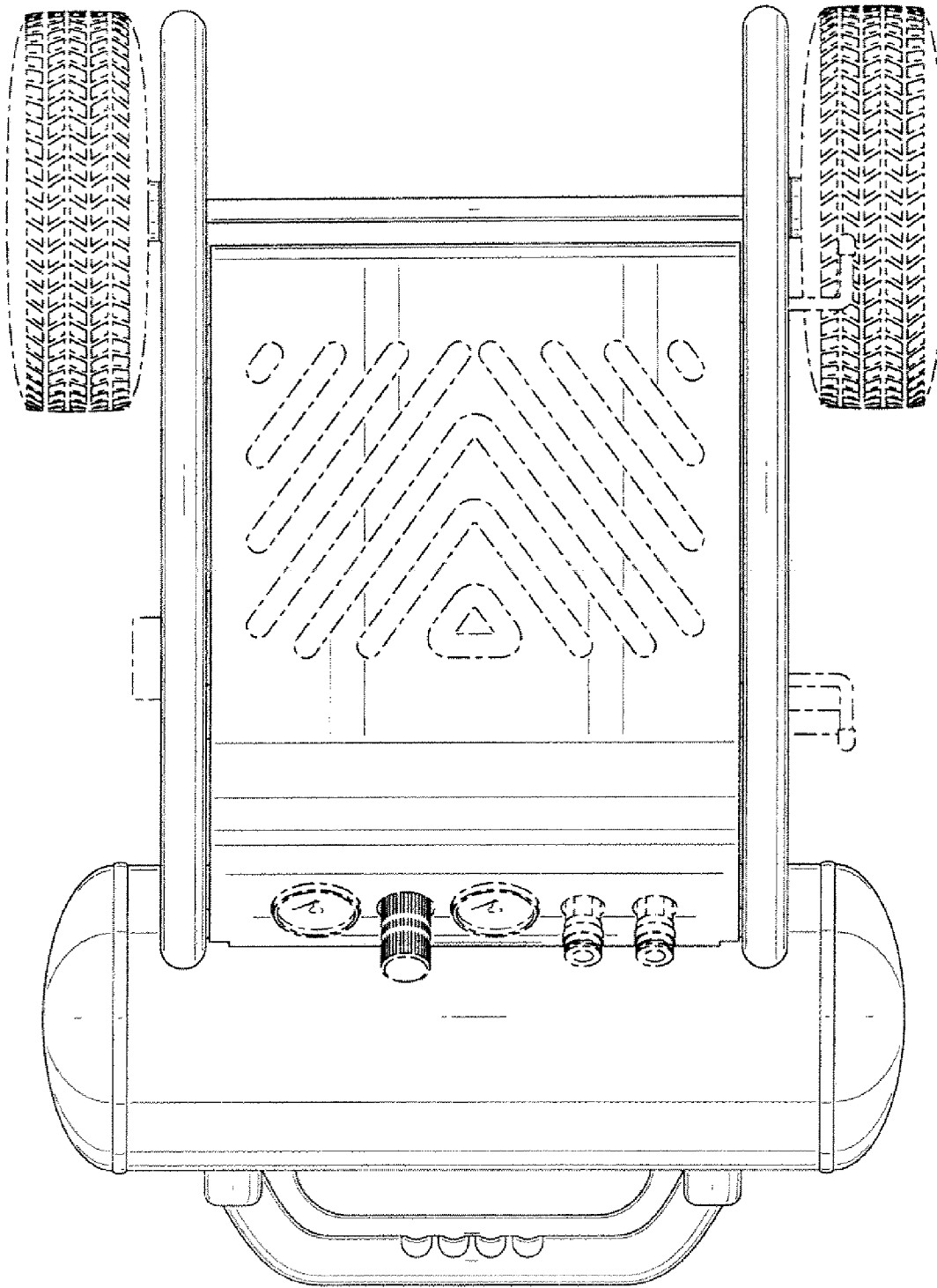


FIG. 6

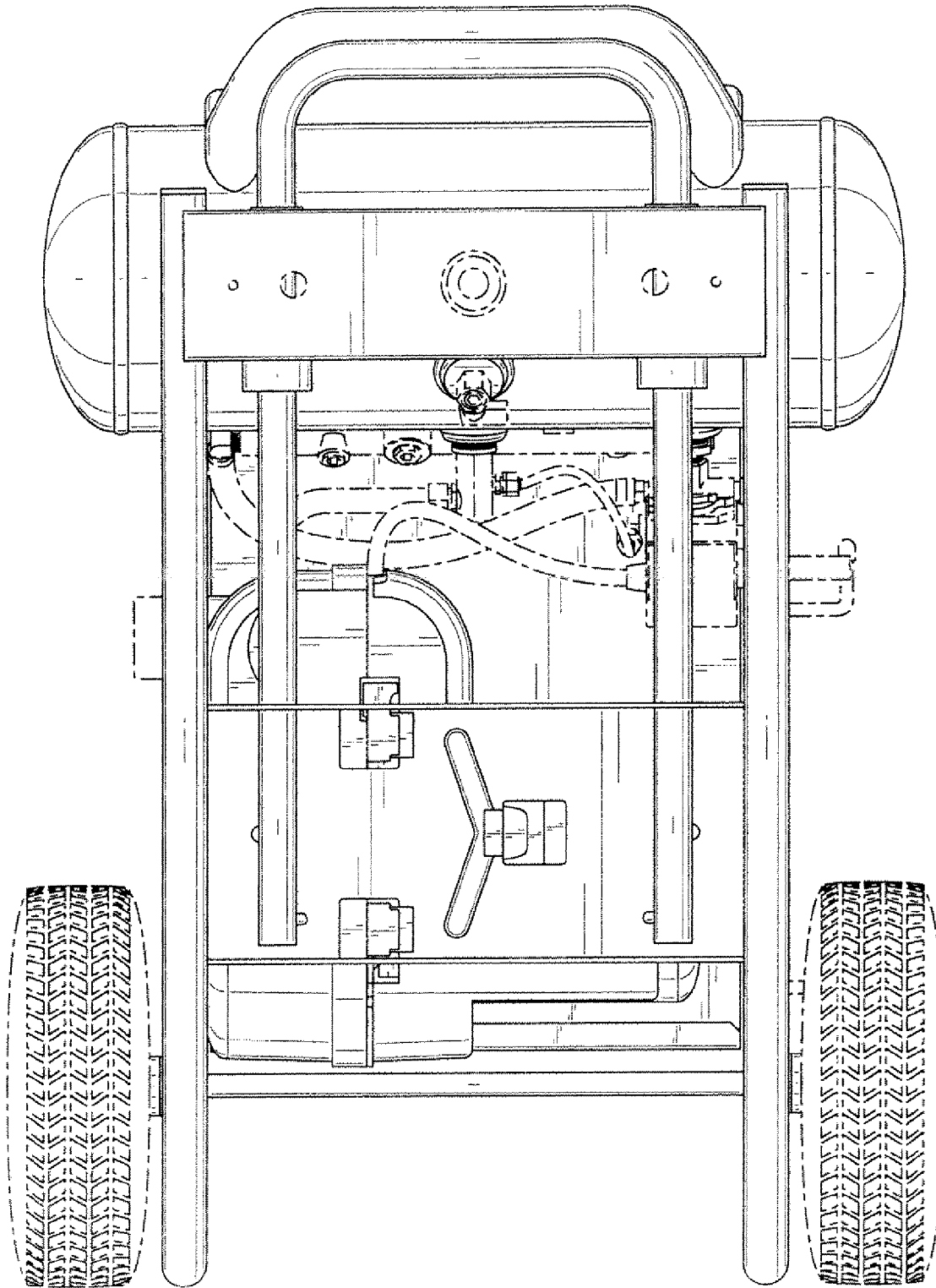


FIG. 7