



US00D982485S

(12) **United States Design Patent**  
**Nagano**

(10) **Patent No.:** **US D982,485 S**

(45) **Date of Patent:** **\*\* Apr. 4, 2023**

(54) **HEADLAMP FOR BICYCLE**  
(71) Applicant: **Cateye Co., Ltd.**, Osaka (JP)  
(72) Inventor: **Toshiyuki Nagano**, Osaka (JP)  
(73) Assignee: **CATEYE CO., LTD.**, Osaka (JP)

D667,580 S \* 9/2012 Lee ..... D26/60  
D670,838 S \* 11/2012 Ueda ..... D26/60  
D678,562 S \* 3/2013 Chan ..... D26/60  
D715,980 S \* 10/2014 Ueda ..... D26/28  
D735,381 S \* 7/2015 Lee ..... D26/60  
(Continued)

(\*\*) Term: **15 Years**

FOREIGN PATENT DOCUMENTS  
GB 6132545 \* 12/2020  
JP D1614789 S 10/2018  
(Continued)

(21) Appl. No.: **29/780,394**

(22) Filed: **Apr. 23, 2021**

OTHER PUBLICATIONS

(30) **Foreign Application Priority Data**

Oct. 28, 2020 (JP) ..... 2020-023194 D

Amazon, LXL USB Rechargeable Super Bike Headlight and Back light Set, published Apr. 10, 2020, [retrieved on Sep. 30, 2022]. Retrieved from the internet<<https://www.amazon.com/Rechargeable-Headlight-Runtime-Bicycles-Mountain/dp/B086YSPM4X>> (Year: 2020).\*

(51) **LOC (14) Cl.** ..... **26-06**

(52) **U.S. Cl.** ..... **D12/114**

USPC ..... **D12/114**

(58) **Field of Classification Search**

USPC ..... D10/114, 114.1, 114.2, 114.3; D26/24, D26/39, 60, 61-66, 72, 97; D12/114  
CPC ..... F21W 2107/00; F21W 2107/13; F21W 2107/17; F21S 9/00; F21S 8/043; F21V 15/04; B62J 6/00; B62J 6/001; B62J 6/002

See application file for complete search history.

(Continued)  
*Primary Examiner* — Joseph Kukella  
*Assistant Examiner* — Lavon M Amerson  
(74) *Attorney, Agent, or Firm* — Morgan, Lewis & Bockius LLP

(57) **CLAIM**

The ornamental design for a headlamp for a bicycle, as shown.

(56) **References Cited**

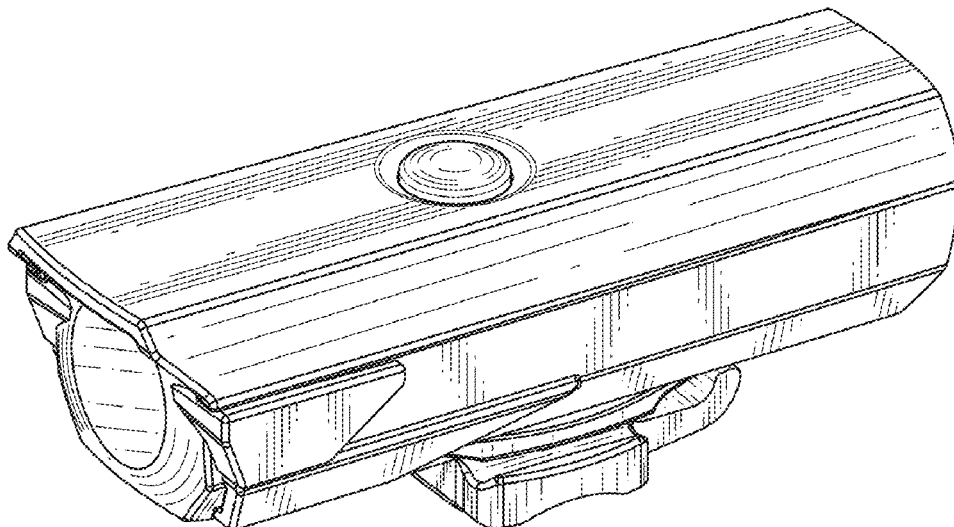
U.S. PATENT DOCUMENTS

D340,779 S \* 10/1993 Quadri ..... D26/63  
D441,107 S \* 4/2001 Okuda ..... D26/28  
D444,581 S \* 7/2001 Okuda ..... D26/28  
D497,444 S \* 10/2004 Okuda ..... D26/28  
D513,083 S \* 12/2005 Okuda ..... D26/28  
D541,447 S \* 4/2007 Ueda ..... D26/28  
D560,833 S \* 1/2008 Ueda ..... D26/28  
D608,483 S \* 1/2010 Lee ..... D26/60  
D609,378 S \* 2/2010 Lee ..... D26/60  
D609,379 S \* 2/2010 Lee ..... D26/60  
D629,538 S \* 12/2010 Nagano ..... D26/28  
D663,453 S \* 7/2012 Nagano ..... D26/28

**DESCRIPTION**

FIG. 1 is a perspective view of a headlamp for a bicycle showing my new design;  
FIG. 2 is a front view thereof;  
FIG. 3 is a rear view thereof;  
FIG. 4 is a right side view thereof;  
FIG. 5 is a left side view thereof;  
FIG. 6 is a top plan view thereof; and,  
FIG. 7 is a bottom plan view thereof.

**1 Claim, 4 Drawing Sheets**



(56)

**References Cited**

## U.S. PATENT DOCUMENTS

D757,311	S	*	5/2016	Nagano	.....	D26/60
D779,690	S	*	2/2017	Nagano	.....	D26/28
D779,691	S	*	2/2017	Nagano	.....	D26/28
D810,339	S	*	2/2018	Peng	.....	D26/60
D846,167	S	*	4/2019	Tang	.....	D26/60
D891,665	S	*	7/2020	Nagano	.....	D26/60
D918,451	S	*	5/2021	Shirota	.....	D26/60
D919,148	S	*	5/2021	Shirota	.....	D26/60
D923,832	S	*	6/2021	Chen	.....	D26/28

## FOREIGN PATENT DOCUMENTS

JP	109306877	*	6/2020
JP	110302200	*	10/2020
TW	D204741	S	5/2020
TW	D207168	S	9/2020
TW	D207169	S	9/2020
TW	D207170	S	9/2020

## OTHER PUBLICATIONS

WayBackMachine, Cat eye AMPP200, published Aug. 17, 2021 [retrieved on Sep. 30, 2022]. Retrieved from the internet <<https://www.cateye.com/intl/products/headlights/HL-EL042RC/> (Year: 2021).\*

Notice of Allowance dated Aug. 20, 2021, issued in corresponding Taiwanese Design Application No. 110302200.

\* cited by examiner

FIG. 1

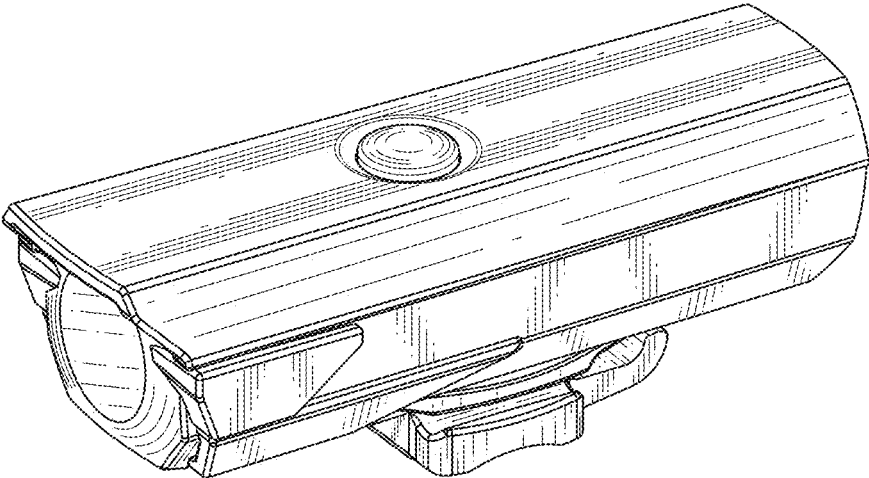


FIG.2

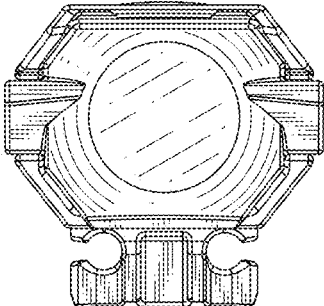


FIG.3

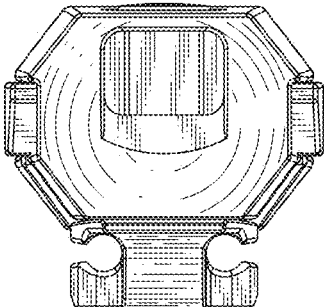


FIG.4

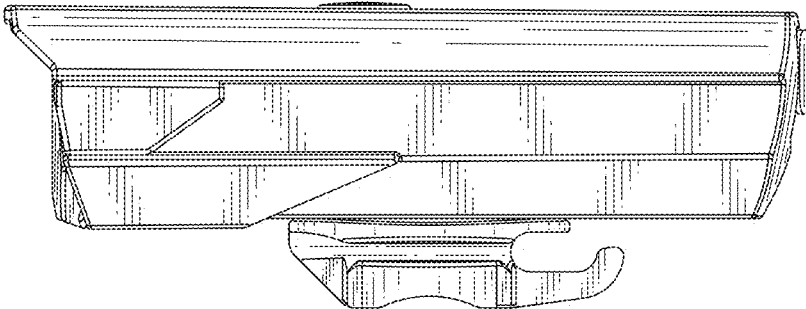


FIG.5

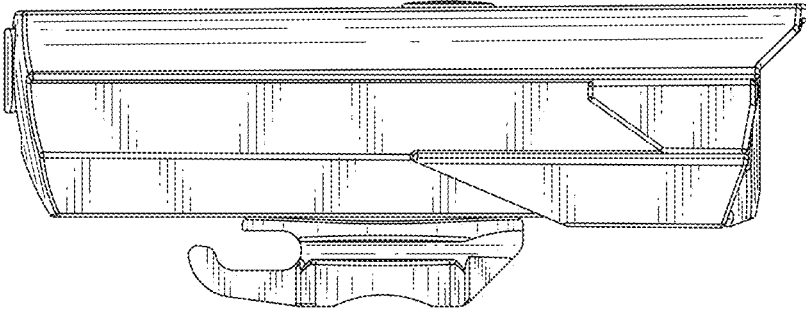


FIG.6

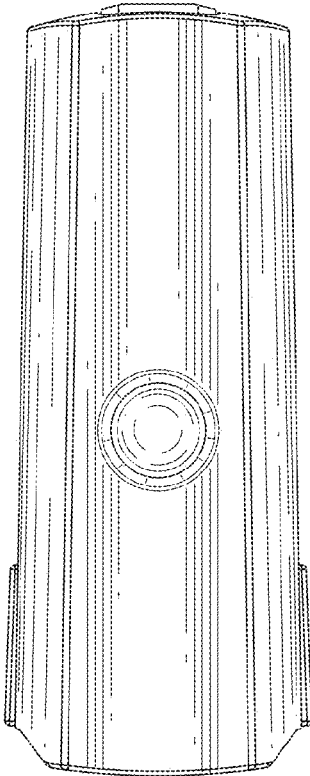


FIG.7

