

[54] **BELLOWS FOR SURGICAL DRAINAGE**

[75] **Inventors: Udo P. Büchel, Bildal; Kjell I. Wellenstam, Gothenburg, all of Sweden**

[73] **Assignee: Astra Meditec Akteibolag, Molndal, Sweden**

[\*\*] **Term: 14 Years**

[21] **Appl. No.: 899,526**

[22] **Filed: Aug. 22, 1986**

**Related U.S. Application Data**

[63] **Continuation-in-part of Ser. No. 509,167, Jun. 29, 1983, abandoned.**

[30] **Foreign Application Priority Data**

Feb. 19, 1983 [SE] Sweden ..... 83-0143

[52] **U.S. Cl. .... D24/51**

[58] **Field of Search ..... D24/51, 53, 56, 58, D24/61; 604/35, 73, 75, 118, 119, 181, 182, 186, 212, 268, 316, 902; 128/760**

[56] **References Cited**

**U.S. PATENT DOCUMENTS**

- D. 195,613 7/1963 Picker ..... D24/56
- D. 198,857 8/1964 Rabin ..... D24/61
- D. 204,353 4/1966 Magers .

- D. 237,549 11/1975 Tillander et al. .
- D. 237,655 11/1975 Engelsher ..... D24/8
- 2,397,257 3/1946 Goland et al. .
- 2,902,992 9/1959 Renvall .
- 2,947,470 8/1960 Ruben .
- 3,084,691 4/1963 Stoner .
- 3,115,138 12/1960 McElvenny et al. .
- 3,572,340 3/1971 Lloyd et al. .
- 3,752,158 8/1973 Kariber .
- 3,809,087 5/1974 Lewis, Jr. .
- 4,068,662 1/1978 Sneider ..... 604/186
- 4,386,607 6/1983 Miller ..... 604/73 X
- 4,397,643 8/1983 Rygiel ..... 128/760 X

**FOREIGN PATENT DOCUMENTS**

351785 12/1972 Sweden .

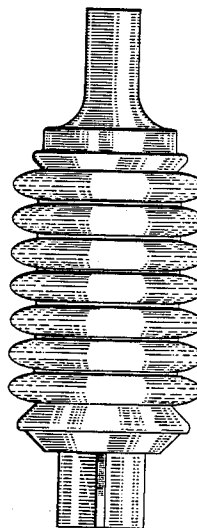
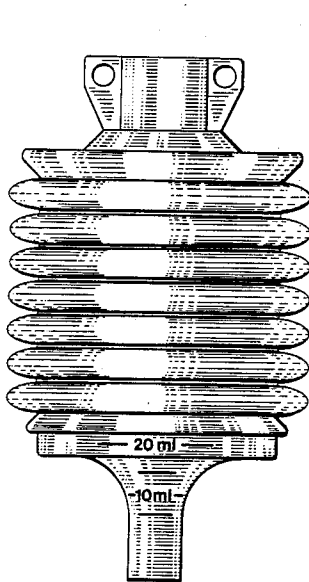
*Primary Examiner*—Wallace R. Burke  
*Assistant Examiner*—Stella M. Reid  
*Attorney, Agent, or Firm*—White & Case

[57] **CLAIM**

The ornamental design for bellows for sugrical drainage, as shown.

**DESCRIPTION**

FIG. 1 is a front elevational view of a bellows for surgical drainage showing our new design; FIG. 2 is a side elevational view thereof; FIG. 3 is a top plan view thereof; and FIG. 4 is a bottom plan view thereof.



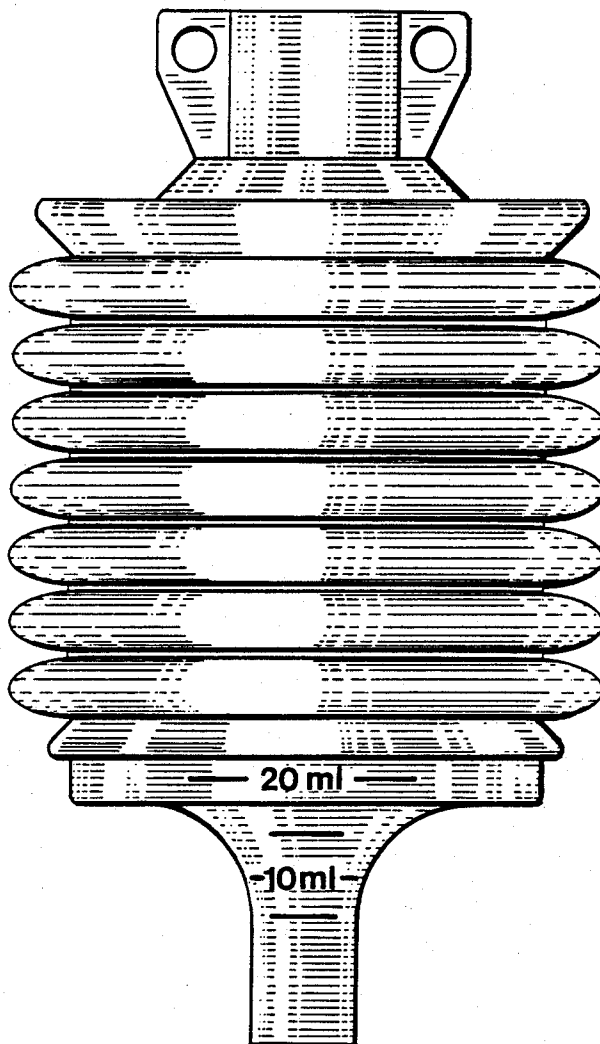


FIG. 1

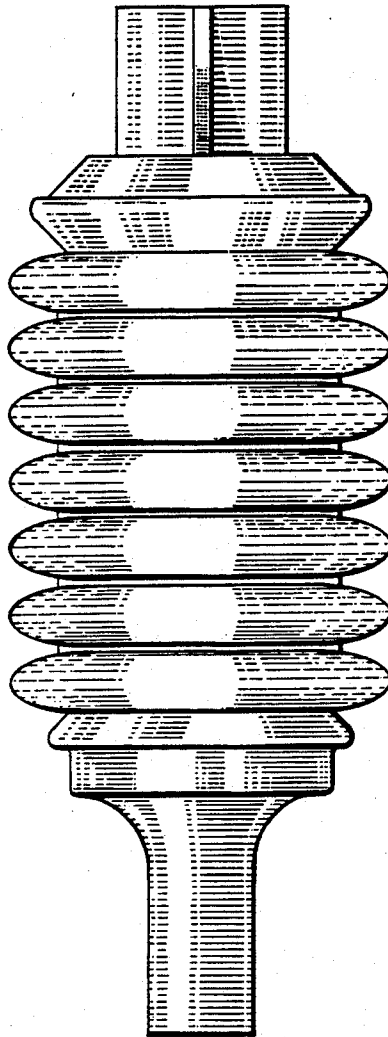


FIG. 2

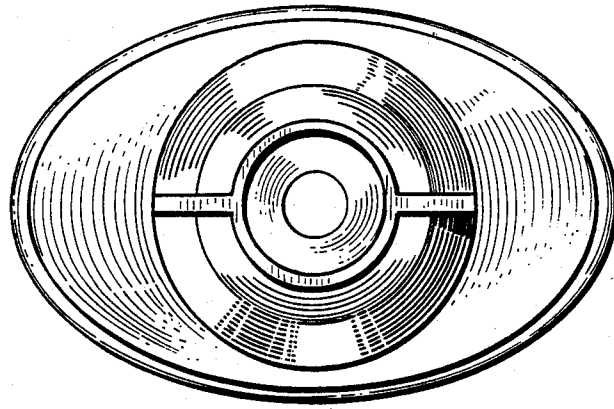


FIG. 3

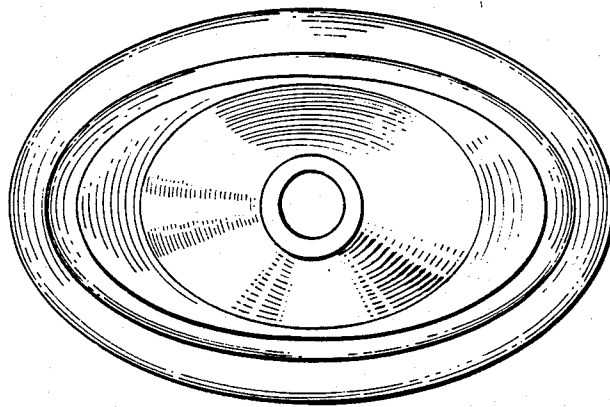


FIG. 4