



US00D360392S

# United States Patent [19] Lewandowski

[11] Patent Number: Des. 360,392

[45] Date of Patent: \*\* Jul. 18, 1995

[54] **DOUBLE STROLLER**

[75] Inventor: **Mark S. Lewandowski**, White Bear Lake, Minn.

[73] Assignee: **Smarte Carte, Inc.**, St. Paul, Minn.

[\*\*] Term: **14 Years**

[21] Appl. No.: **21,571**

[22] Filed: **Apr. 28, 1994**

[52] U.S. Cl. .... **D12/129; D34/20**

[58] Field of Search ..... **D12/128, 129; D34/17-22; 280/47.35, DIG. 4, 3, 33, 993, 79.3, 648, 650, 643, 642, 42**

[56] **References Cited**

**U.S. PATENT DOCUMENTS**

D. 321,850	11/1991	Mong-Hsing	.....	D12/129
2,443,236	6/1948	Gallagher	.....	280/50
2,993,702	7/1961	Gill	.....	280/41
3,612,603	10/1971	Snyder	.....	297/130
4,542,915	9/1985	Wheeler, III et al.	.....	280/642
5,018,754	5/1991	Cheng	.....	280/47.4
5,184,835	2/1993	Huang	.....	280/47.371

**FOREIGN PATENT DOCUMENTS**

2615155A 11/1988 France .

**OTHER PUBLICATIONS**

Stretch™ Tandem Stroller Product Literature (#51) (1992).

*Primary Examiner*—Kay H. Chin  
*Attorney, Agent, or Firm*—Merchant, Gould, Smith, Edell, Welter & Schmidt

[57] **CLAIM**

The ornamental design for double stroller, as shown and described.

**DESCRIPTION**

FIG. 1 is a perspective view of a double stroller showing my new design;  
FIG. 2 is a front elevational view;  
FIG. 3 is a rear elevational view;  
FIG. 4 is a top plan view;  
FIG. 5 is a bottom plan view; and,  
FIG. 6 is a left side elevational view, the right side elevational view being a mirror image thereof.





FIG. 1

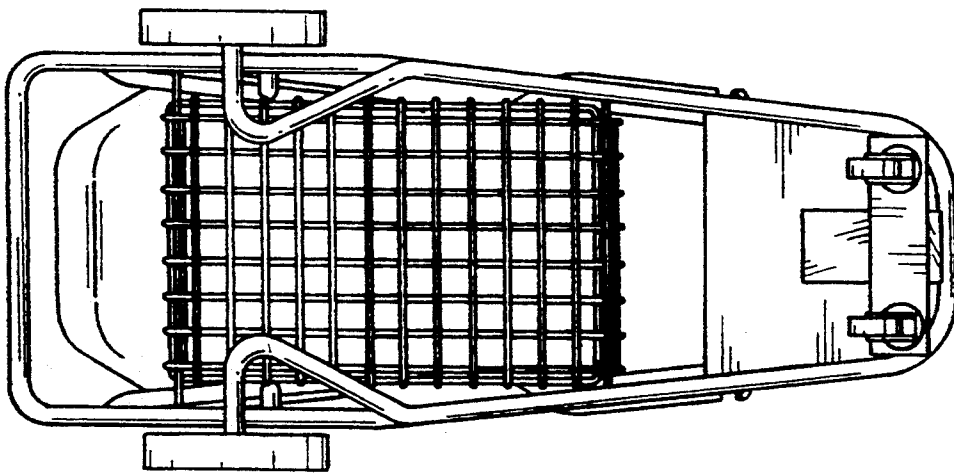


FIG. 5

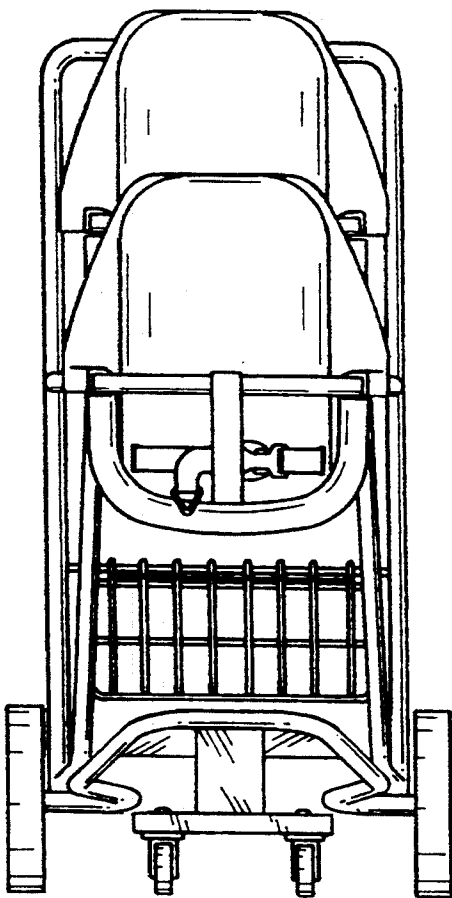


FIG. 2

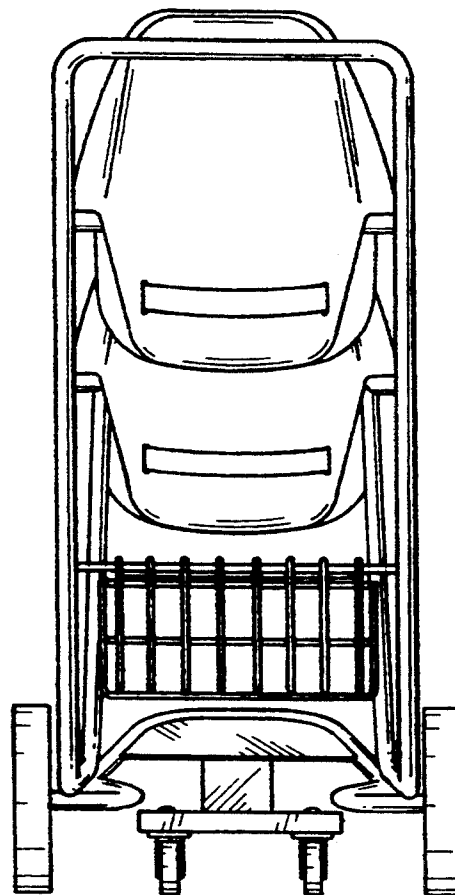


FIG. 3

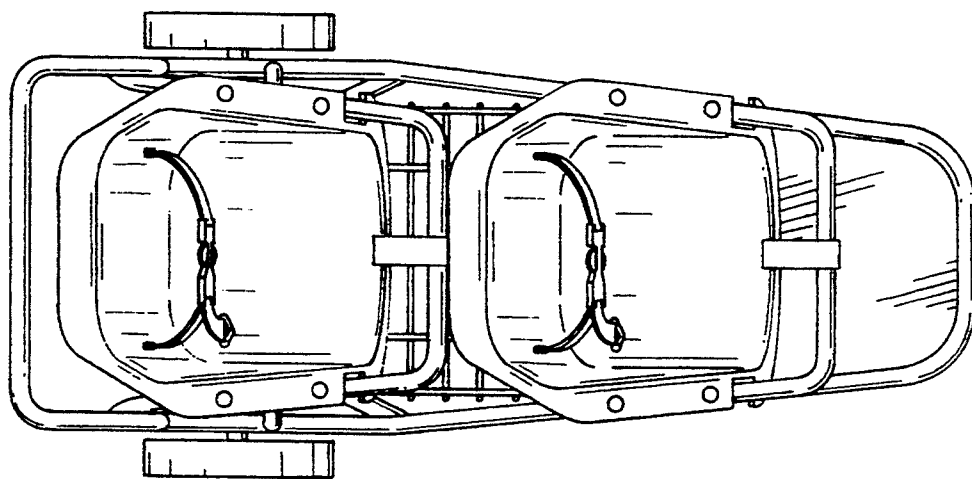


FIG. 4



FIG. 6