



US00D717441S

(12) **United States Design Patent**
Neo et al.

(10) **Patent No.:** US D717,441 S

(45) **Date of Patent:** ** Nov. 11, 2014

(54) **MEDICAL DEVICE HOUSING FOR AN ELECTROCARDIOGRAPHY DEVICE OR THE LIKE**

(71) Applicant: **Welch Allyn, Inc.**, Skaneateles Falls, NY (US)

(72) Inventors: **Ah Leen Neo**, Singapore (SG); **Malcolm Yek Cheng Chong**, Singapore (SG); **Ian Kenneth Edwards**, Skaneateles Falls, NY (US); **Elaine Carole Montambeau**, Skaneateles Falls, NY (US); **Kathryn M Coles**, Skaneateles Falls, NY (US); **Sit Wai Yong**, Johor Bahru (MY); **Mohd Ilham bin Ja'afar**, Johor Bahru (MY); **Tsin-Tsung Ooi**, Johor Bahru (MY); **Catherine King**, Skaneateles Falls, NY (US)

(73) Assignee: **Welch Allyn, Inc.**, Skaneateles Falls, NY (US)

(**) Term: **14 Years**

(21) Appl. No.: **29/456,512**

(22) Filed: **May 31, 2013**

(51) **LOC (10) Cl.** **24-01**

(52) **U.S. Cl.**
USPC **D24/167**

(58) **Field of Classification Search**
USPC D24/165-168, 186, 187; 600/508, 509, 600/513, 515, 528

See application file for complete search history.

(56) **References Cited**

U.S. PATENT DOCUMENTS

D273,325	S	*	4/1984	Macquignon	D24/167
D305,796	S	*	1/1990	Forland et al.	D24/167
D359,561	S	*	6/1995	McDonough et al.	D24/167
D380,833	S	*	7/1997	Mahoney	D24/167
D380,834	S	*	7/1997	Mahoney	D24/167
D544,099	S	*	6/2007	Umeda et al.	D24/167
D609,351	S	*	2/2010	Wagener et al.	D24/186
D612,503	S	*	3/2010	Johnston et al.	D24/186
D616,549	S	*	5/2010	Sudhir	D24/167
D697,214	S	*	1/2014	Rosenfeldt et al.	D24/186
2012/0289788	A1	*	11/2012	Jain et al.	600/301

* cited by examiner

Primary Examiner — Anhdao Doan

(57) **CLAIM**

We claim the ornamental design for a medical device housing for an electrocardiography device or the like, as shown and described.

DESCRIPTION

FIG. 1 is a front-right perspective view of a medical device housing for an electrocardiography device or the like showing our new design;

FIG. 2 is a front-left perspective view thereof;

FIG. 3 is a front elevation view thereof;

FIG. 4 is a rear elevation view thereof;

FIG. 5 is a top plan view thereof;

FIG. 6 is a bottom plan view thereof;

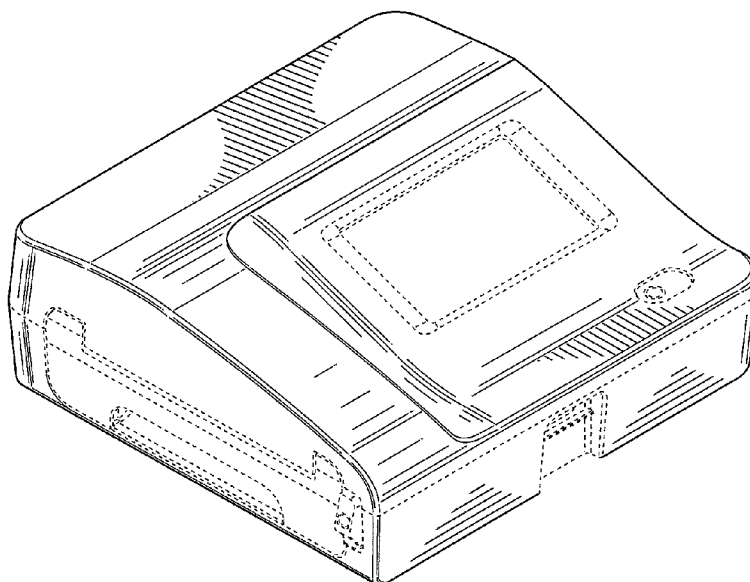
FIG. 7 is a left side elevation view thereof;

FIG. 8 is a right side elevation view thereof; and,

FIG. 9 is a front-bottom perspective view thereof.

Broken lines immediately adjacent shaded areas represent bounds of the claimed design. The broken lines are directed to unclaimed features. The broken lines form no part of the claimed design.

1 Claim, 8 Drawing Sheets



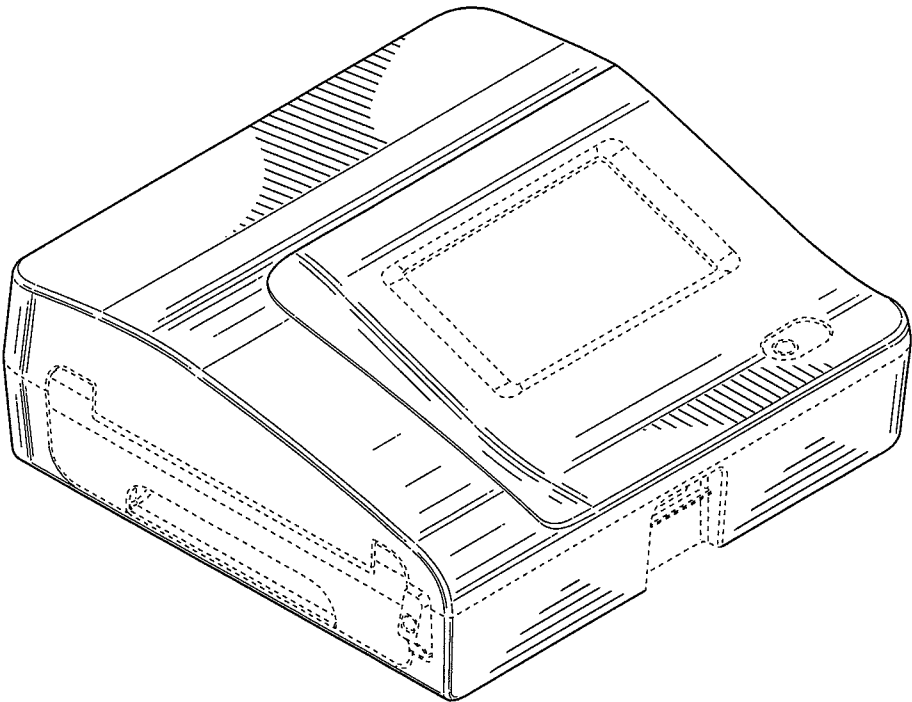


FIG. 1

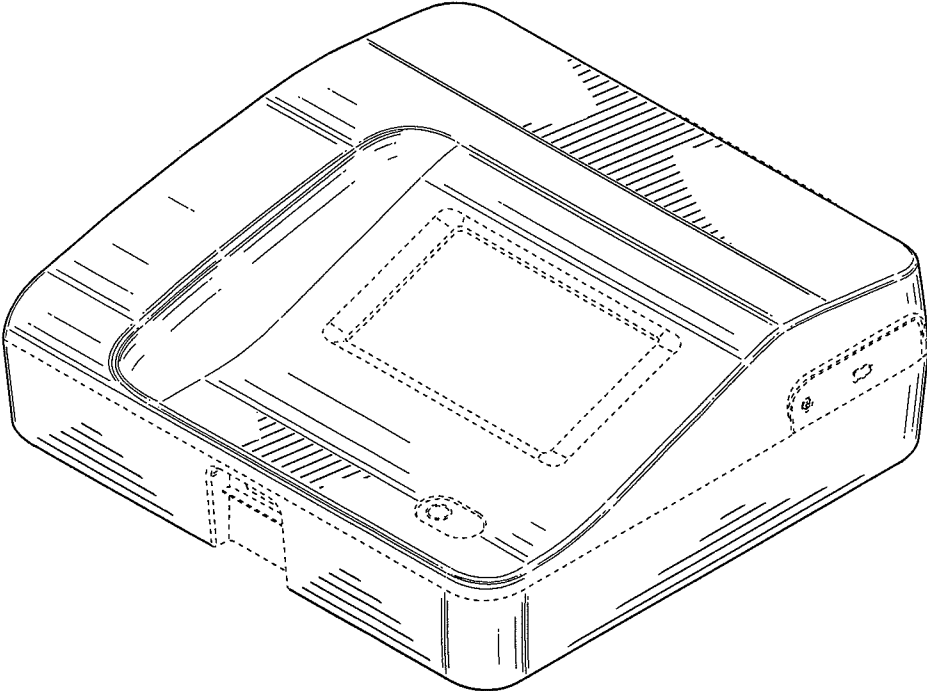


FIG. 2

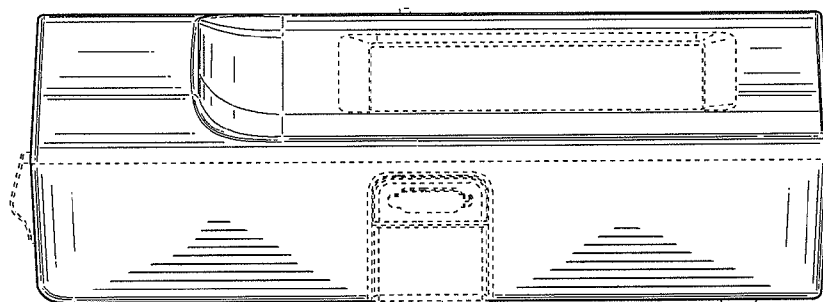


FIG. 3

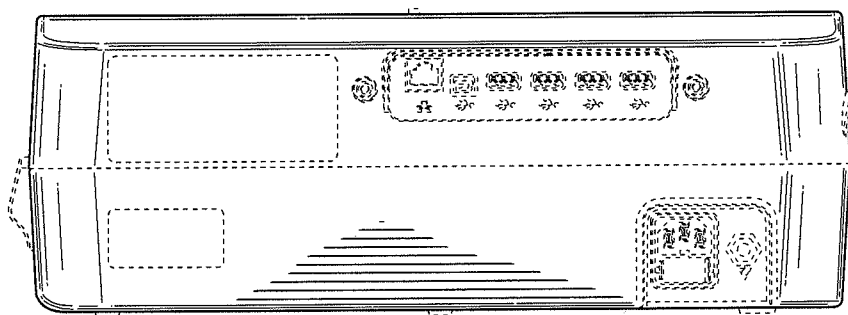


FIG. 4

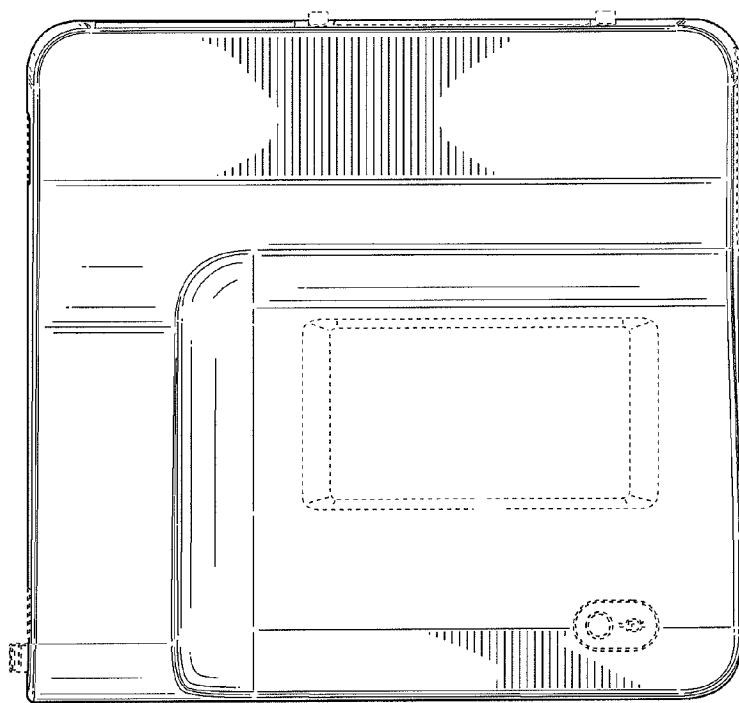


FIG. 5

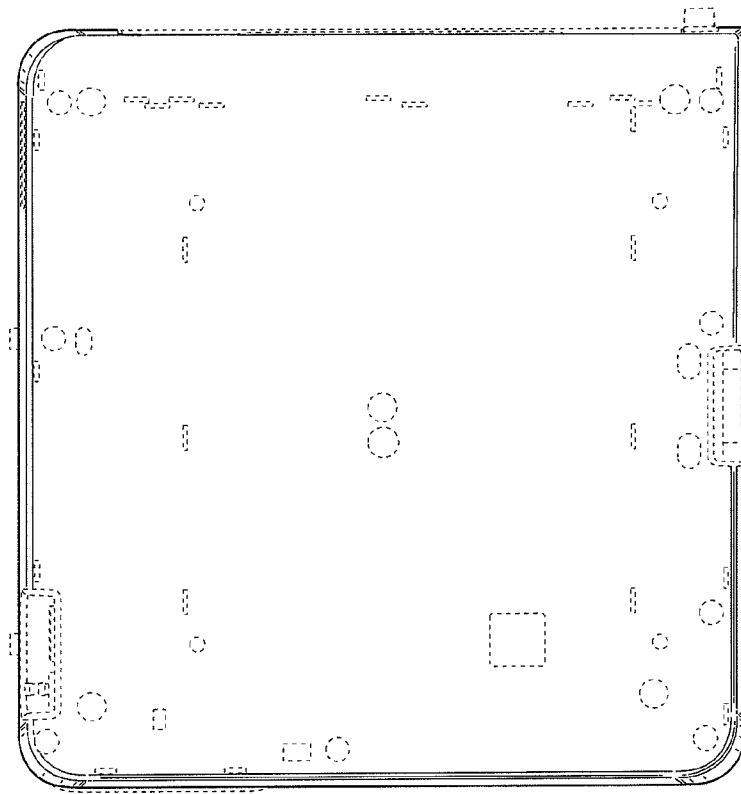


FIG. 6

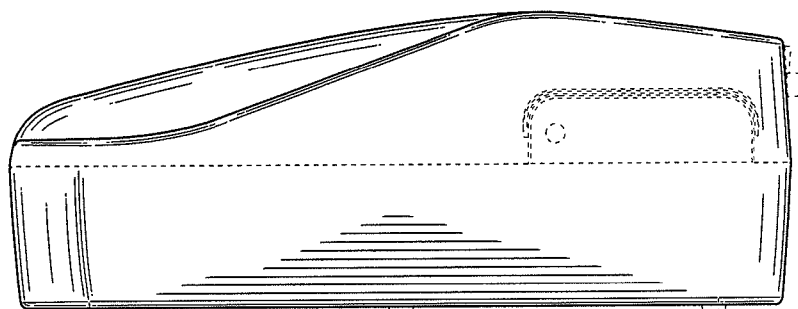


FIG. 7

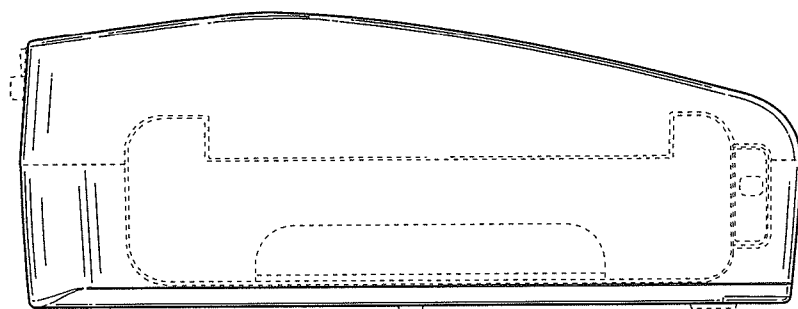


FIG. 8

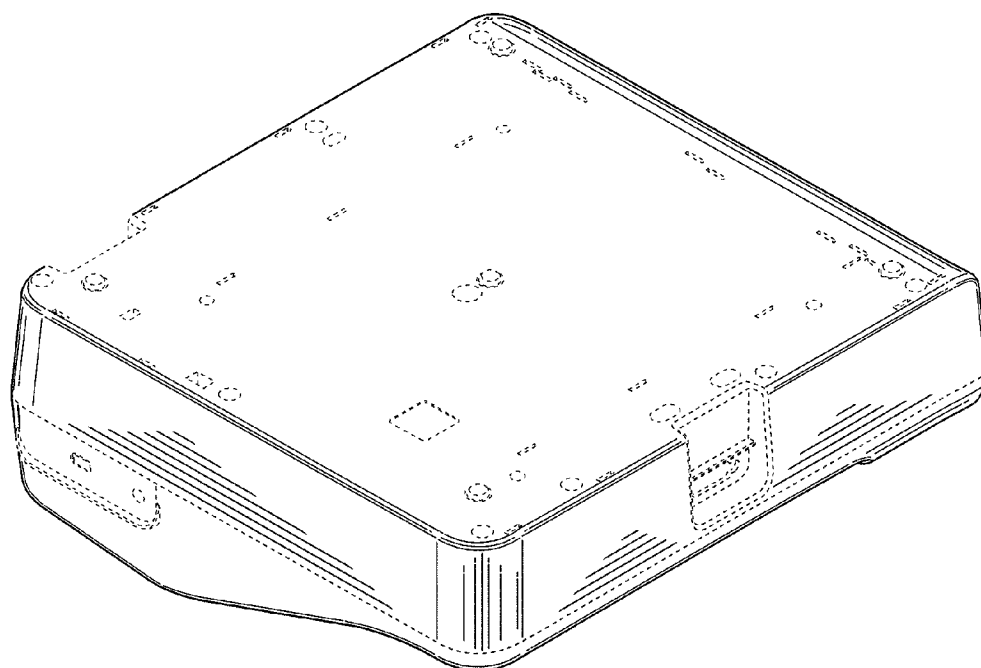


FIG. 9