



US00D867066S

(12) **United States Design Patent**  
**Sletten**

(10) **Patent No.:** **US D867,066 S**

(45) **Date of Patent:** **\*\* Nov. 19, 2019**

- (54) **BEVERAGE CONTAINER**
- (71) Applicant: **JDS INDUSTRIES, INC.**, Sioux Falls, SD (US)
- (72) Inventor: **Scott Sletten**, Sioux Falls, SD (US)
- (73) Assignee: **JDS Industries, Inc.**, Sioux Falls, SD (US)
- (\*\*) Term: **15 Years**
- (21) Appl. No.: **29/684,299**
- (22) Filed: **Mar. 20, 2019**
- (51) **LOC (12) Cl.** ..... **07-01**
- (52) **U.S. Cl.**  
USPC ..... **D7/510; D7/532**
- (58) **Field of Classification Search**  
USPC ..... D7/505, 507, 509, 510, 511, 523, 528, D7/529, 530, 531, 532, 535, 533, 536, D7/305, 321, 319, 316, 317, 318, 590, D7/608, 310, 396.3, 396.2; 220/592.16, 220/592.17, 705  
CPC ..... A47G 19/22; A47G 19/2205; A47G 19/2211; A47G 19/2216; A47G 19/2227; A47G 19/02; A47G 19/2288; A47J 31/06  
See application file for complete search history.

|              |         |           |        |
|--------------|---------|-----------|--------|
| D555,430 S   | 11/2007 | Tien      |        |
| D558,523 S   | 1/2008  | Bhavnani  |        |
| D560,435 S   | 1/2008  | Meehan    |        |
| D563,170 S   | 3/2008  | Tornqvist |        |
| D572,082 S   | 7/2008  | Kortleven |        |
| D604,562 S * | 11/2009 | Lopez     | D7/510 |
| D647,760 S   | 11/2011 | Pearson   |        |
| D721,540 S   | 1/2015  | Greic     |        |
| D726,552 S   | 4/2015  | Awdeh     |        |
| D729,581 S * | 5/2015  | Boroski   | D7/510 |
| D734,989 S * | 7/2015  | Lapsker   | D7/523 |
| D746,633 S   | 1/2016  | Gatto     |        |
| D766,721 S * | 9/2016  | Meador    | D9/500 |
| D783,359 S * | 4/2017  | Sawyer    | D7/510 |
| D784,766 S * | 4/2017  | Sawyer    | D7/510 |
| D790,921 S * | 7/2017  | Lapsker   | D7/510 |
| D791,543 S * | 7/2017  | Mulhauser | D7/510 |
| D797,510 S * | 9/2017  | Ke        | D7/510 |

(Continued)

*Primary Examiner* — Jae Liang  
(74) *Attorney, Agent, or Firm* — Jeffrey A. Proehl; Woods, Fuller, Shultz & Smith, PC

(57) **CLAIM**

The ornamental design for a beverage container, as shown and described.

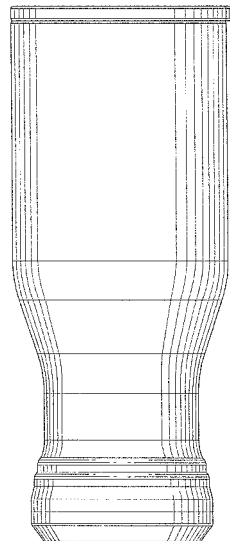
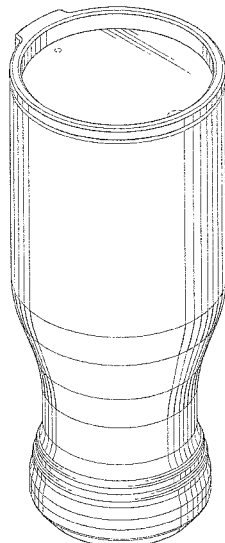
**DESCRIPTION**

FIG. 1 is a perspective view of a beverage container showing my new design;  
FIG. 2 is a front elevational view of the beverage container;  
FIG. 3 is a left side elevational view of the beverage container, the right side elevational view being a mirror image thereof;  
FIG. 4 is a top plan view of the beverage container;  
FIG. 5 is a rear elevational view of the beverage container; and,  
FIG. 6 is a bottom plan view of the beverage container.  
The broken lines depict portions of the beverage container that form no part of the claim.

**1 Claim, 2 Drawing Sheets**

(56) **References Cited**  
U.S. PATENT DOCUMENTS

|            |         |             |
|------------|---------|-------------|
| D310,777 S | 9/1990  | Ross        |
| D356,503 S | 3/1995  | Mueller     |
| D433,599 S | 11/2000 | Kristiansen |
| D479,437 S | 9/2003  | Gluck       |
| D483,995 S | 12/2003 | Otake       |
| D502,844 S | 3/2005  | Rohe        |
| D546,125 S | 7/2007  | Bhavnani    |
| D548,523 S | 8/2007  | Greenspon   |
| D554,433 S | 11/2007 | Gluck       |



(56)

**References Cited**

U.S. PATENT DOCUMENTS

|              |         |                       |        |
|--------------|---------|-----------------------|--------|
| D810,512 S * | 2/2018  | Wu .....              | D7/512 |
| D811,817 S * | 3/2018  | Harrington, III ..... | D7/510 |
| D816,409 S * | 5/2018  | Sawyer .....          | D7/510 |
| D809,406 S   | 6/2018  | Rivera                |        |
| D819,406 S * | 6/2018  | Rivera .....          | D7/532 |
| D820,045 S * | 6/2018  | Harrington, III ..... | D7/511 |
| D821,151 S * | 6/2018  | Lapsker .....         | D7/511 |
| D830,770 S   | 10/2018 | Verhoeven             |        |
| D833,817 S * | 11/2018 | Sletten .....         | D7/510 |
| D842,038 S * | 3/2019  | Seiders .....         | D7/510 |

\* cited by examiner

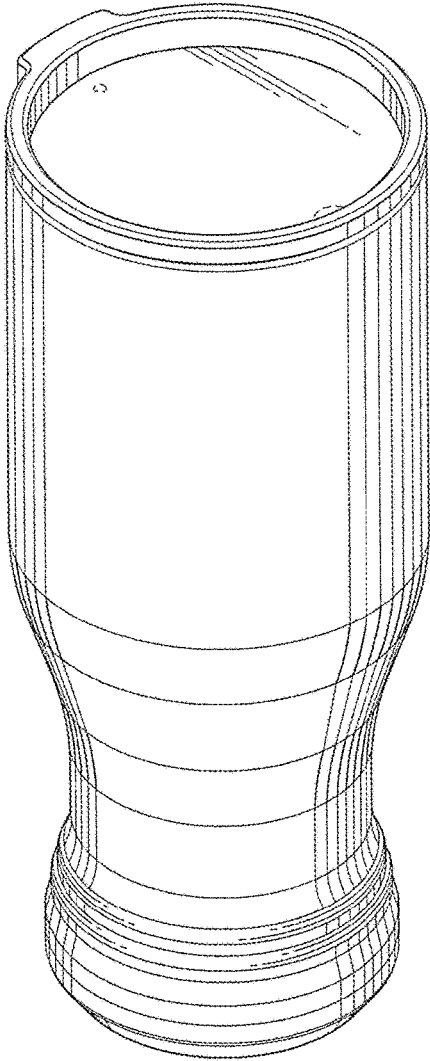


Fig. 1



Fig. 2

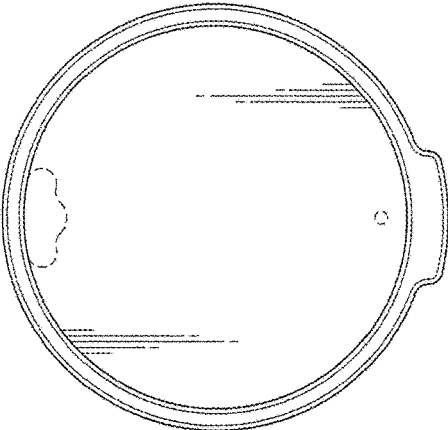


Fig. 4

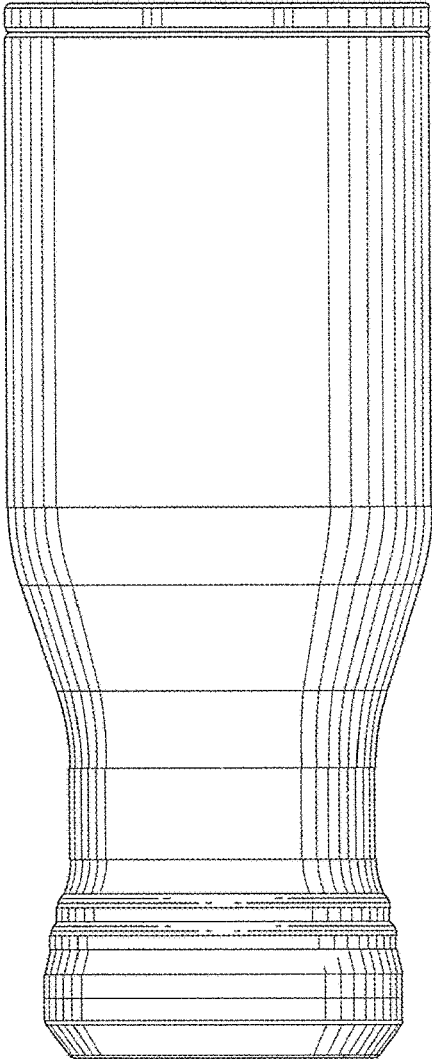


Fig. 5

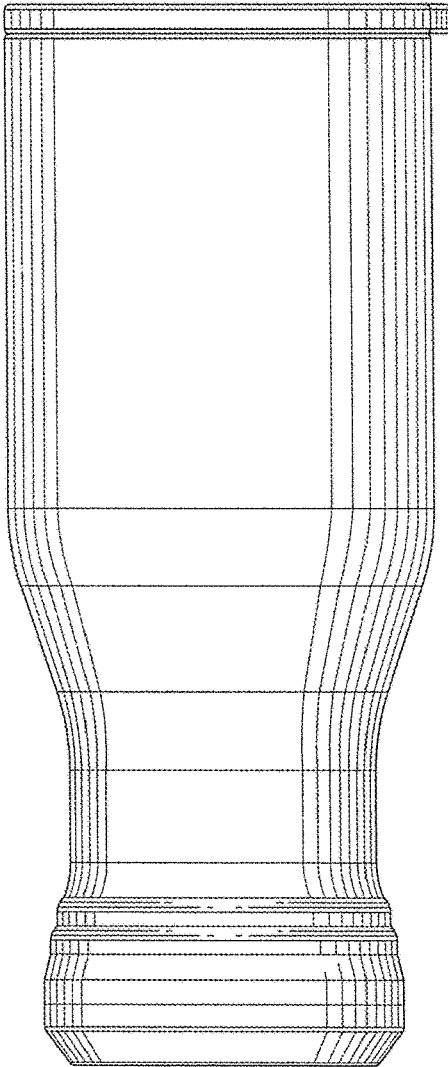


Fig. 3

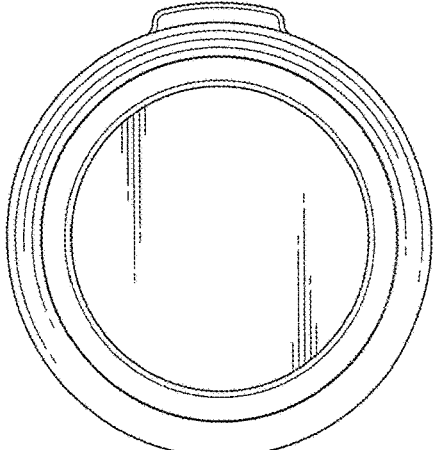


Fig. 6