

(19) World Intellectual Property Organization
International Bureau



(43) International Publication Date
17 August 2000 (17.08.2000)

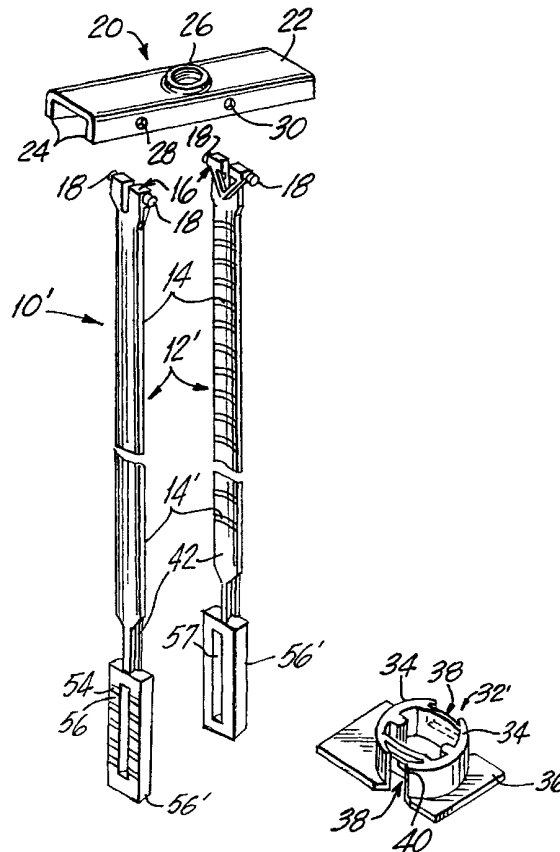
PCT

(10) International Publication Number
WO 00/47847 A3

- (51) International Patent Classification⁷: F16B 21/00 [US/US]; Route 9D, Box 938, Garrison, NY 10524 (US). GARFIELD, Nathaniel, H. [US/US]; Meadow Lane, Purchase, NY 10577 (US).
- (21) International Application Number: PCT/US00/02408
- (22) International Filing Date: 31 January 2000 (31.01.2000)
- (25) Filing Language: English
- (26) Publication Language: English
- (30) Priority Data: 09/240,407 29 January 1999 (29.01.1999) US
- (71) Applicant (for all designated States except US): MECHANICAL PLASTICS CORP. [US/US]; 444 Saw Mill River Road, P.O. Box 554, Elmsford, NY 10523 (US).
- (72) Inventors; and
- (75) Inventors/Applicants (for US only): KAYE, Gordon, E.
- (74) Agent: RZUCIDLO, Eugene, C.; Graham & James LLP, 21 st Floor, 885 Third Avenue, New York, NY 10022 (US).
- (81) Designated States (national): AE, AL, AM, AT, AU, AZ, BA, BB, BG, BR, BY, CA, CH, CN, CR, CU, CZ, DE, DK, DM, EE, ES, FI, GB, GD, GE, GH, GM, HR, HU, ID, IL, IN, IS, JP, KE, KG, KP, KR, KZ, LC, LK, LR, LS, LT, LU, LV, MA, MD, MG, MK, MN, MW, MX, NO, NZ, PL, PT, RO, RU, SD, SE, SG, SI, SK, SL, TJ, TM, TR, TT, TZ, UA, UG, US, UZ, VN, YU, ZA, ZW.
- (84) Designated States (regional): ARIPO patent (GH, GM, KE, LS, MW, SD, SL, SZ, TZ, UG, ZW), Eurasian patent (AM, AZ, BY, KG, KZ, MD, RU, TJ, TM), European patent

[Continued on next page]

(54) Title: TOGGLE BOLT DEVICE



[Continued on next page]



WO 00/47847 A3



(AT, BE, CH, CY, DE, DK, ES, FI, FR, GB, GR, IE, IT, LU, MC, NL, PT, SE), OAPI patent (BF, BJ, CF, CG, CI, CM, GA, GN, GW, ML, MR, NE, SN, TD, TG).

(88) Date of publication of the international search report:
21 December 2000

Published:

— With international search report.

For two-letter codes and other abbreviations, refer to the "Guidance Notes on Codes and Abbreviations" appearing at the beginning of each regular issue of the PCT Gazette.

(57) Abstract: An improved fixed positionable toggle bolt device for fastening objects to a substrate comprising a metal anchor member (22) having a nut portion (26) and a selectively frangible positioning and holding assembly engaged with the metal member. The assembly (10') comprises two elongated control legs (12'), with the first ends of the control legs being pivotally attached to the metal member. The second ends of the control legs are movably attached to each other by an elongated undercut element interference, with movement of one leg relative to the other, effected by finger tip sliding, causing the metal anchor member (22) to pivot from substantially in line with an insertion aperture in the substrate, to a position parallel to the substrate when the second ends of the control legs are aligned with each other. A positioning (32') is engaged with both legs (12'), holding them in place and is movable along the respective lengths of the legs. The legs (12') are arcuate in cross section with a series of axially extending closely spaced rib-like teeth (14) within the arcuate concavity. The collar (32') is adapted to conform to the arcuate concavity together with a step tooth section to provide a one way ratchet with the legs.

INTERNATIONAL SEARCH REPORT

International application No.
PCT/US00/02408

A. CLASSIFICATION OF SUBJECT MATTER

IPC(7) : F16B 21/00
US CL : 411/340,342,344,345,346,908

According to International Patent Classification (IPC) or to both national classification and IPC

B. FIELDS SEARCHED

Minimum documentation searched (classification system followed by classification symbols)

U.S. : 411/340,342,344,345,346,908

Documentation searched other than minimum documentation to the extent that such documents are included in the fields searched

Electronic data base consulted during the international search (name of data base and, where practicable, search terms used)

C. DOCUMENTS CONSIDERED TO BE RELEVANT

Category*	Citation of document, with indication, where appropriate, of the relevant passages	Relevant to claim No.
A	U.S. 4,294,156 A (MCSHERRY ET AL) 13 October 1981 (13-10-81) See entire document.	1-5
A	U.S. 4,650,386 A (MCSHERRY ET AL) 17 March 1987 (17-03-87) See entire document.	1-5
A	U.S. 4,043,245 A (KAPLAN) 23 August 1977 (23-08-77) See entire document.	1-5

Further documents are listed in the continuation of Box C.

See patent family annex.

* Special categories of cited documents:	*T* later document published after the international filing date or priority date and not in conflict with the application but cited to understand the principle or theory underlying the invention
A document defining the general state of the art which is not considered to be of particular relevance	*X* document of particular relevance; the claimed invention cannot be considered novel or cannot be considered to involve an inventive step when the document is taken alone
E earlier document published on or after the international filing date	*Y* document of particular relevance; the claimed invention cannot be considered to involve an inventive step when the document is combined with one or more other such documents, such combination being obvious to a person skilled in the art
L document which may throw doubts on priority claim(s) or which is cited to establish the publication date of another citation or other special reason (as specified)	*G* document member of the same patent family
O document referring to an oral disclosure, use, exhibition or other means	
P document published prior to the international filing date but later than the priority date claimed	

Date of the actual completion of the international search

22 AUGUST 2000

Date of mailing of the international search report

02 OCT 2000

Name and mailing address of the ISA/US
Commissioner of Patents and Trademarks
Box PCT
Washington, D.C. 20231

Facsimile No. (703) 305-3230

Authorized officer

NEILL WILSON

Telephone No. (703) 308-2168