



US00D813530S

(12) **United States Design Patent**  
**Derusha**

(10) **Patent No.:** **US D813,530 S**

(45) **Date of Patent:** **\*\* Mar. 27, 2018**

(54) **BAG**

(71) Applicant: **Joseph Derusha**, Sherman Oaks, CA (US)

(72) Inventor: **Joseph Derusha**, Sherman Oaks, CA (US)

(\*\*) Term: **15 Years**

(21) Appl. No.: **29/561,295**

(22) Filed: **Apr. 14, 2016**

**Related U.S. Application Data**

(62) Division of application No. 29/483,249, filed on Feb. 26, 2014, now Pat. No. Des. 757,425.

(51) **LOC (11) Cl.** ..... **03-01**

(52) **U.S. Cl.**  
USPC ..... **D3/232**

(58) **Field of Classification Search**  
USPC ..... D3/232–233, 240–243, 245–246  
CPC ..... A45C 1/024; A45C 3/08  
See application file for complete search history.

(56) **References Cited**

**U.S. PATENT DOCUMENTS**

D115,548 S *	7/1939	Goldsmith	.....	D3/240
D131,189 S *	1/1942	Lewis	.....	D3/240
D137,556 S *	3/1944	Meyers	.....	D3/253
D596,849 S	7/2009	Billauer		
D663,117 S *	7/2012	Schiffman	.....	D3/232
D665,575 S *	8/2012	Bouskill	.....	D3/232
D712,138 S *	9/2014	Kao	.....	D3/232
D715,540 S *	10/2014	Ghisellini	.....	D3/232
D757,425 S *	5/2016	Derusha	.....	D3/232
D774,299 S *	12/2016	Anderson	.....	D3/232

**FOREIGN PATENT DOCUMENTS**

WO 2015130972 A2 9/2015

**OTHER PUBLICATIONS**

International Search Report and Written Opinion of related PCT Application PCT/US2015/017931 dated Jun. 19, 2015.  
International Preliminary Report on Patentability of related PCT Application PCT/US2015/017931, dated Aug. 30, 2016.  
Origami Sonobe Cute Charms timelapse. Uploaded by SecretPsychoRo, Mar. 15, 2015. Retrieved from Internet: <http://www.youtube.com/watch?v=YCMwKbvRkoQ> on Apr. 30, 2015.  
Paper N Pearlz. Diamond Earrings. Retrieved from Internet: <http://paperpearlz.com/origami/diamond-earrings/> Mar. 30, 2010.  
Releve Design, "How to Make Small Octahedral Origami Accessories." Retrieved from Internet: <http://www.relevedesign.com/how-to-make-origami-accessories/> Dec. 29, 2011.

\* cited by examiner

*Primary Examiner* — Holly H Baynham

(74) *Attorney, Agent, or Firm* — Stephen W. Chen; Nixon Peabody LLP

(57) **CLAIM**

The ornamental design for a bag, as shown.

**DESCRIPTION**

FIG. 1 is a front perspective view of a bag showing my design;  
FIG. 2 is a front perspective, open configuration, thereof.  
FIG. 3 is a front view thereof.  
FIG. 4 is a rear view thereof.  
FIG. 5 is a top view of the first embodiment.  
FIG. 6 is a bottom view of the first embodiment.  
FIG. 7 is a left side view of the first embodiment; and,  
FIG. 8 is a right side view of the first embodiment.  
The broken lines in the drawings depict environmental subject matter only and form no part of the claimed design.

**1 Claim, 5 Drawing Sheets**

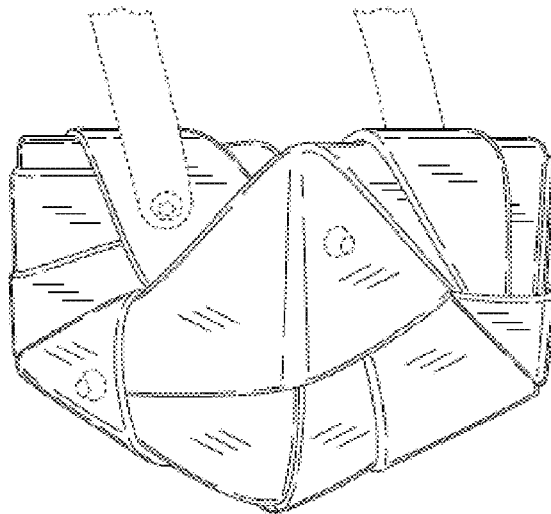


FIG. 1

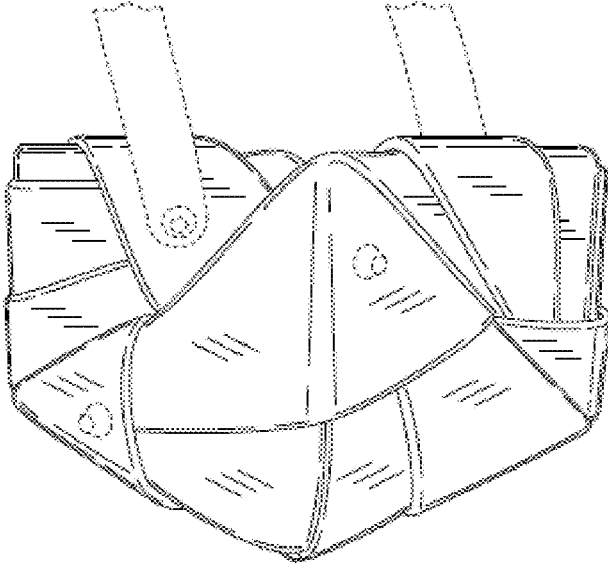


FIG. 2

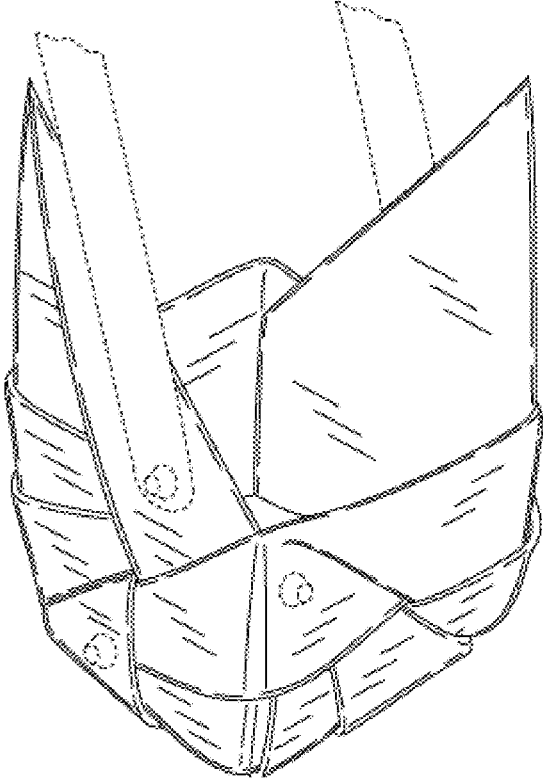


FIG. 3

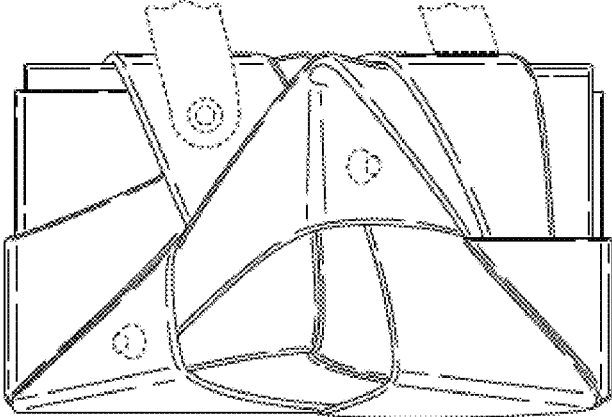


FIG. 4

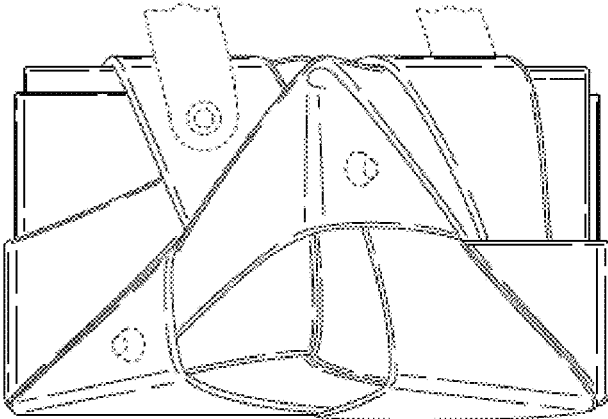


FIG. 5

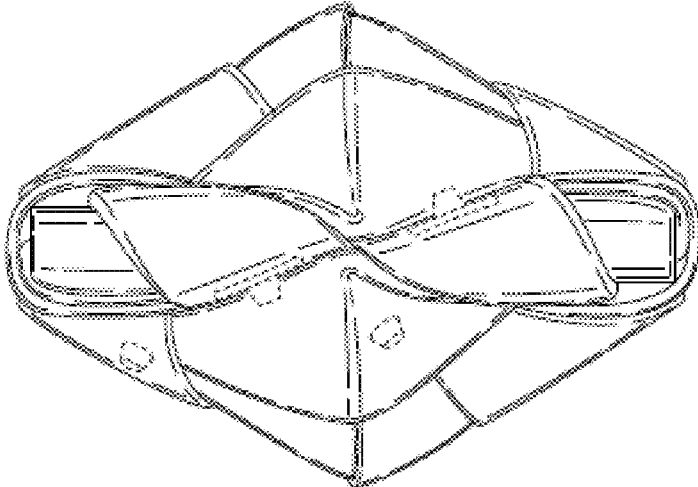


FIG. 6

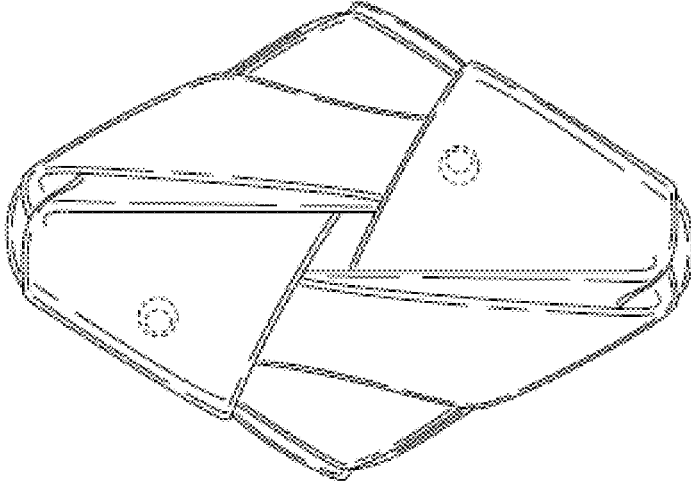


FIG. 7

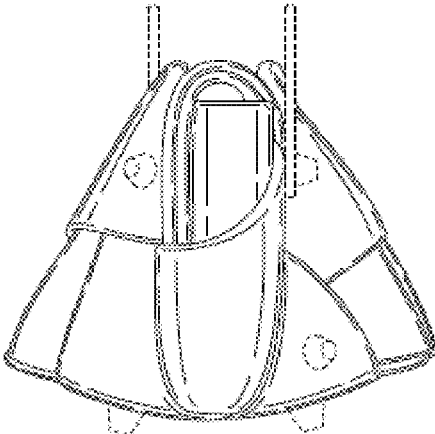


FIG. 8

