



US00D740021S

(12) **United States Design Patent**
Faifer

(10) **Patent No.:** **US D740,021 S**

(45) **Date of Patent:** **** Oct. 6, 2015**

- (54) **HOLSTER FOR A GUN**
- (71) Applicant: **Sagi Faifer**, Mishmar Hashiva (IL)
- (72) Inventor: **Sagi Faifer**, Mishmar Hashiva (IL)
- (**) Term: **14 Years**
- (21) Appl. No.: **29/483,810**
- (22) Filed: **Mar. 3, 2014**
- (51) **LOC (10) CI.** **03-01**
- (52) **U.S. CI.**
USPC **D3/222**
- (58) **Field of Classification Search**
USPC D3/222-223, 269; 224/163, 192-193,
224/197-198, 243-244, 349, 587, 665, 682,
224/901.4, 911-912; 89/34; 42/106
See application file for complete search history.

(56) **References Cited**

U.S. PATENT DOCUMENTS

- 814,599 A 3/1906 Freyer
- 837,156 A 11/1906 Townsend

(Continued)

OTHER PUBLICATIONS

“Holster, Safety Holster, Glock—SHOMER-TEC”, <http://www.shomer-tec.com/product/duty-holsters-by-slve-1486.cfm>, May 3, 2011, pp. 2.

(Continued)

Primary Examiner — Catheri Oliver-Garcia

(74) *Attorney, Agent, or Firm* — Law Office of Arthur M. Antonelli, PLLC

(57) **CLAIM**

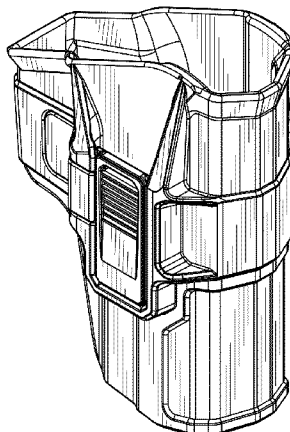
The ornamental design for a holster for a gun, as shown and described.

DESCRIPTION

FIG. 1 is a rear, left, top perspective view of a first embodiment of a holster for a gun in accordance with my new design; FIG. 2 is a front, left, top perspective view of the holster for a gun of FIG. 1; FIG. 3 is a front view of the holster for a gun of FIG. 1; FIG. 4 is a left side view of the holster for a gun of FIG. 1; FIG. 5 is a rear view of the holster for a gun of FIG. 1; FIG. 6 is a right side view of the holster for a gun of FIG. 1;

FIG. 7 is a top view of the holster for a gun of FIG. 1; FIG. 8 is a bottom view of the holster for a gun of FIG. 1; and FIG. 9 is a rear, right, bottom perspective view of the holster for a gun of FIG. 1. FIG. 10 is a rear, right top perspective view of a second embodiment of a holster for a gun in accordance with my new design; FIG. 11 is a front, right, top perspective view of the holster for a gun of FIG. 10; FIG. 12 is a front view of the holster for a gun of FIG. 10; FIG. 13 is a right side view of the holster for a gun of FIG. 10; FIG. 14 is a rear view of the holster for a gun of FIG. 10; FIG. 15 is a right side view of the holster for a gun of FIG. 10; FIG. 16 is a top view of the holster for a gun of FIG. 10; FIG. 17 is a bottom view of the holster for a gun of FIG. 10; FIG. 18 is a rear, left, bottom perspective view of the holster for a gun of FIG. 10; FIG. 19 is a rear, left, top perspective view of a third embodiment of a holster for a gun in accordance with my new design; FIG. 20 is a front, left, top perspective view of the holster for a gun of FIG. 19; FIG. 21 is a front view of the holster for a gun of FIG. 19; FIG. 22 is a left side view of the holster for a gun of FIG. 19; FIG. 23 is a rear view of the holster for a gun of FIG. 19; FIG. 24 is a right side view of the holster for a gun of FIG. 19; FIG. 25 is a top view of the holster for a gun of FIG. 19; FIG. 26 is a bottom view of the holster for a gun of FIG. 19; and FIG. 27 is a rear, right, bottom perspective view of the holster for a gun of FIG. 19; FIG. 28 is a rear, right top perspective view of a fourth embodiment of a holster for a gun in accordance with my new design; FIG. 29 is a front, right, top perspective view of the holster for a gun of FIG. 28; FIG. 30 is a front view of the holster for a gun of FIG. 28; FIG. 31 is a right side view of the holster for a gun of FIG. 28; FIG. 32 is a rear view of the holster for a gun of FIG. 28; FIG. 33 is a right side view of the holster for a gun of FIG. 28; FIG. 34 is a top view of the holster for a gun of FIG. 28; FIG. 35 is a bottom view of the holster for a gun of FIG. 28; and, FIG. 36 is a rear, left, bottom perspective view of the holster for a gun of FIG. 28. All portions shown in broken lines are environmental and illustrative only and form no part of the claimed design.

1 Claim, 20 Drawing Sheets



(56)

References Cited

U.S. PATENT DOCUMENTS

1,295,831 A	3/1919	Alderson	5,875,944 A	3/1999	Beletsky
2,347,006 A	4/1944	Tibbetts	5,918,784 A	7/1999	Serpa
2,408,678 A	10/1946	Paley	5,996,865 A	12/1999	Bissey
2,443,397 A	6/1948	Myers	6,154,997 A	12/2000	Aluotto et al.
2,455,635 A	12/1948	Witte	6,202,908 B1	3/2001	Groover
2,765,968 A	10/1956	Gaylord	6,398,089 B1	6/2002	Har-Shen
3,008,617 A	11/1961	Villwock	6,438,888 B1	8/2002	Lin
3,128,926 A	4/1964	Stella	6,588,635 B2	7/2003	Vor Keller et al.
3,707,250 A	12/1972	Esposito	6,763,984 B2	7/2004	Gallagher
3,731,858 A	5/1973	Baker	6,769,581 B2	8/2004	Rodgers et al.
3,777,952 A	12/1973	Theodore	D501,991 S	2/2005	Cook et al.
3,952,930 A	4/1976	Baldocchi	D507,104 S	7/2005	Gregory et al.
3,977,583 A	8/1976	Bianchi et al.	D508,318 S	8/2005	Gregory et al.
4,035,902 A	7/1977	Bianchi et al.	6,948,644 B1	9/2005	Beletsky
4,044,929 A	8/1977	Caruso	D512,561 S	12/2005	Cook et al.
4,062,481 A	12/1977	Clark	7,028,426 B1	4/2006	Viani
4,065,039 A	12/1977	Bianchi et al.	7,032,342 B2	4/2006	Pikielny
4,084,734 A	4/1978	Bianchi et al.	7,117,625 B2	10/2006	Pikielny
4,101,060 A	7/1978	Bianchi et al.	7,131,228 B2	11/2006	Hochstrate
4,143,798 A	3/1979	Perkins	D537,624 S	3/2007	Har
4,205,768 A	6/1980	Hill et al.	7,191,556 B2	3/2007	Pikielny
4,218,000 A	8/1980	Mixson	D543,354 S	5/2007	Carver et al.
4,258,871 A	3/1981	McMahon	7,216,450 B2	5/2007	Pikielny
4,270,680 A	6/1981	Bianchi	7,258,259 B1	8/2007	Owens
4,277,007 A	7/1981	Bianchi et al.	7,290,688 B2 *	11/2007	Pikielny 224/163
4,286,741 A	9/1981	Rodgers	D567,501 S	4/2008	Zusman
4,494,328 A	1/1985	Stevens	D568,043 S	5/2008	Zusman
4,542,841 A	9/1985	Bianchi et al.	D574,147 S	8/2008	Zusman
4,577,787 A	3/1986	Hersey	7,434,712 B2	10/2008	Cook et al.
4,662,552 A	5/1987	Uyehara	D582,150 S	12/2008	Har Shen
4,713,889 A	12/1987	Santiago	D592,850 S *	5/2009	Shen D3/222
4,741,465 A	5/1988	Johnson	D594,649 S	6/2009	Zusman
4,886,197 A	12/1989	Bowles et al.	7,562,797 B2	7/2009	Senn et al.
4,925,075 A	5/1990	Rodgers	D601,339 S	10/2009	Zusman
4,953,769 A	9/1990	Parsons et al.	D603,159 S	11/2009	Zusman
D311,277 S	10/1990	Cupp	D603,160 S	11/2009	Zusman
4,966,321 A	10/1990	Outlaw	7,735,255 B1	6/2010	Kincaid
5,018,653 A	5/1991	Shoemaker	7,814,698 B2	10/2010	Fluhr
5,048,682 A	9/1991	Taylor	7,816,888 B2	10/2010	Rejman
5,054,670 A	10/1991	Gallagher	D641,548 S	7/2011	Zusman
5,100,036 A	3/1992	Rodgers et al.	D653,848 S	2/2012	Alstrom et al.
D327,367 S	6/1992	Carrow et al.	8,235,263 B1	8/2012	Yeates
D331,497 S	12/1992	Dixon	D681,943 S	5/2013	Beard et al.
5,174,482 A	12/1992	Rodgers et al.	8,631,981 B2	1/2014	Zusman
5,209,383 A	5/1993	Theodore	8,720,755 B2 *	5/2014	Gregory et al. 224/244
5,251,798 A	10/1993	Theodore	2005/0205621 A1	9/2005	Shults
5,251,799 A	10/1993	Theodore	2005/0223614 A1	10/2005	Pikielny
5,265,781 A	11/1993	Nichols	2005/0268518 A1	12/2005	Pikielny
5,275,317 A	1/1994	Rodgers et al.	2005/0268519 A1	12/2005	Pikielny
5,282,559 A	2/1994	Wisser et al.	2006/0130386 A1	6/2006	Pikielny
5,419,472 A	5/1995	Hellweg et al.	2006/0156609 A1	7/2006	Kim
5,421,497 A	6/1995	Gilmore	2006/0236583 A1	10/2006	Pikielny
5,484,093 A	1/1996	Hellweg et al.	2007/0017140 A1	1/2007	Pikielny
5,544,794 A	8/1996	Nichols	2007/0084101 A1	4/2007	Pikielny
D373,242 S	9/1996	Beletsky	2007/0175935 A1	8/2007	Clifton
5,551,610 A	9/1996	Clifton, Jr.	2007/0266611 A1	11/2007	Stover
5,570,830 A	11/1996	Nichols			
5,632,426 A	5/1997	Beletsky et al.			
D392,458 S	3/1998	Batts			
5,865,357 A	2/1999	Goodwin			

OTHER PUBLICATIONS

“5125-301—Ceska zbrojovka”, <http://www.czub.cz/en/catalog/87-accessories/AC-HO/5125-0301.aspx>, May 3, 2011, pp. 3.

* cited by examiner

FIG. 1

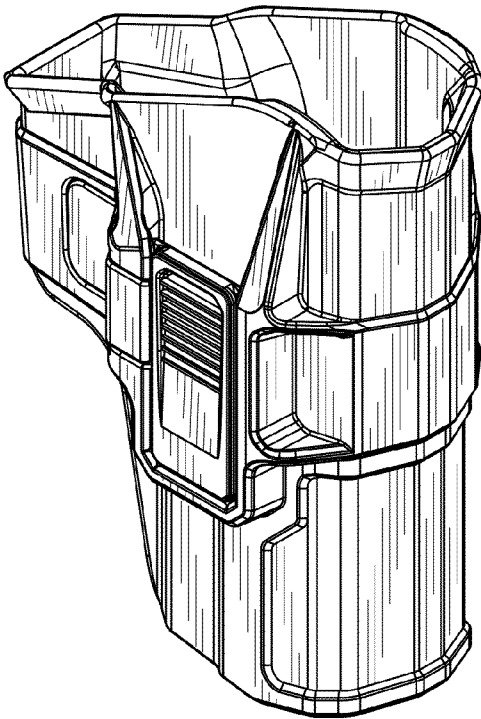
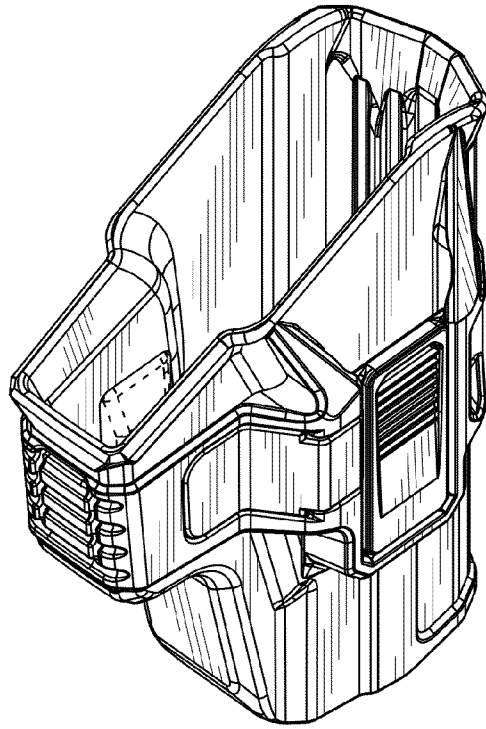


FIG. 2

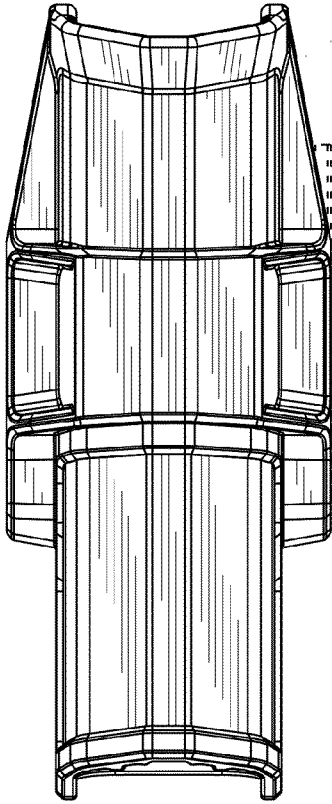


FIG. 3

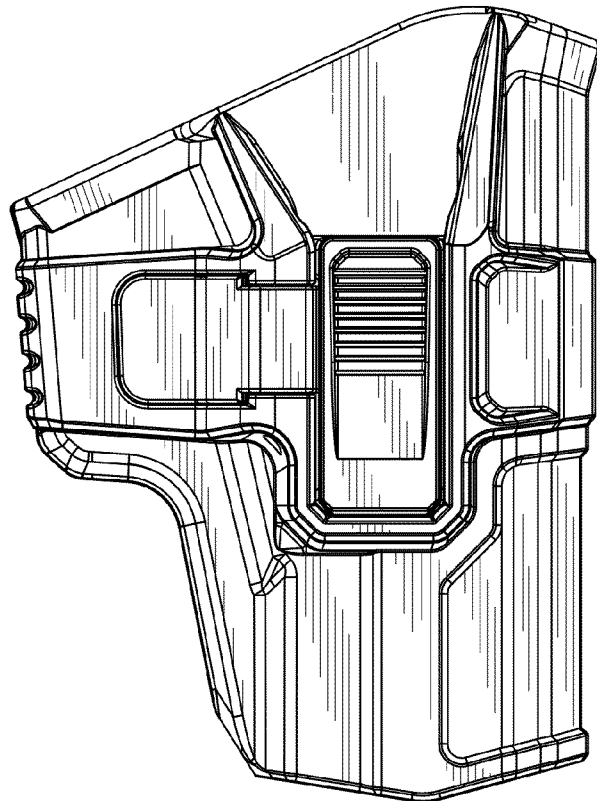


FIG. 4

FIG. 5

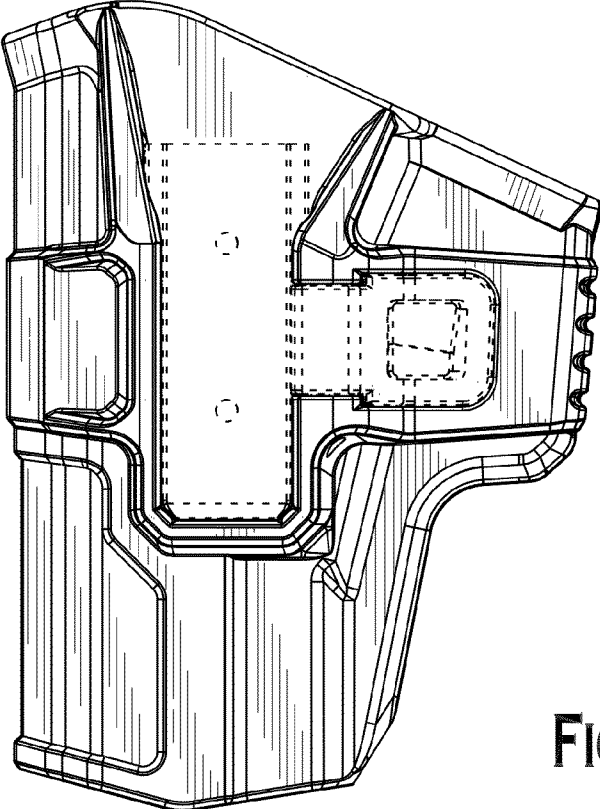
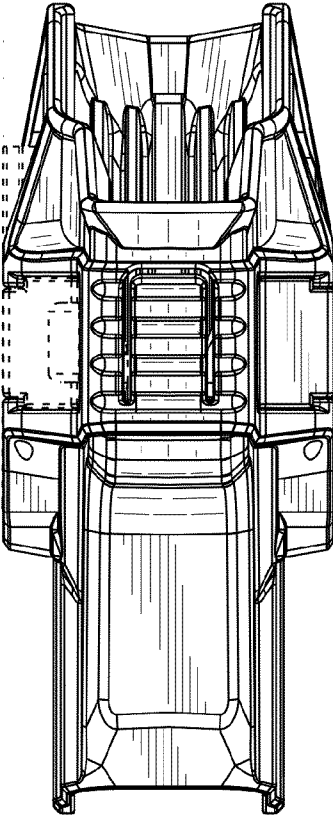


FIG. 6

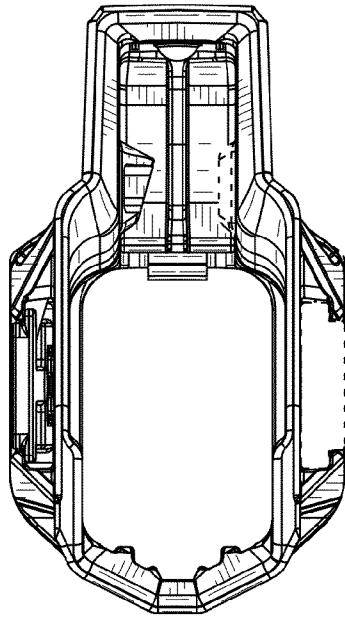


FIG. 7

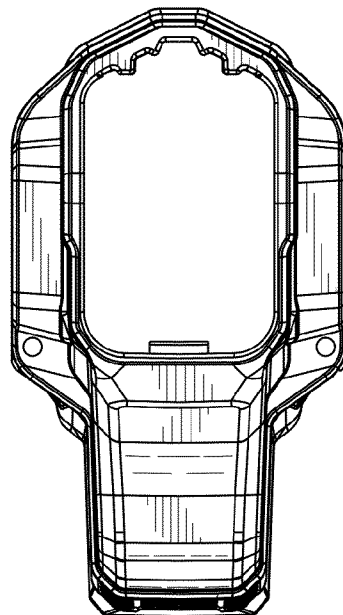


FIG. 8

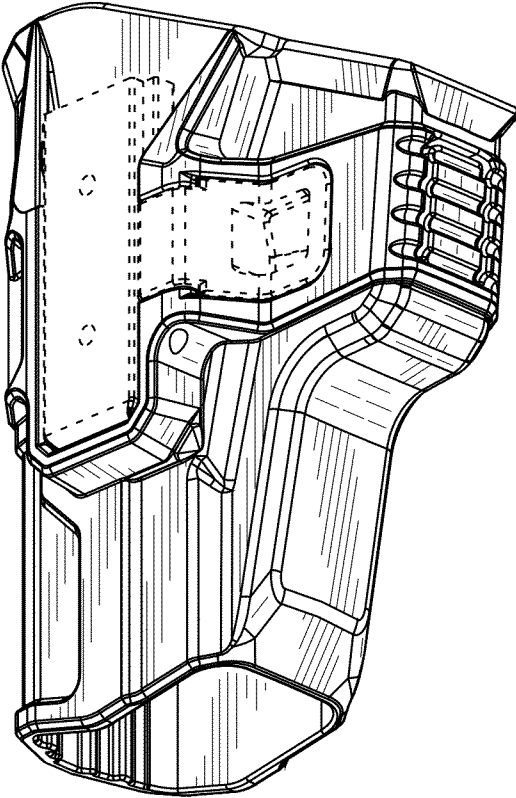


FIG. 9

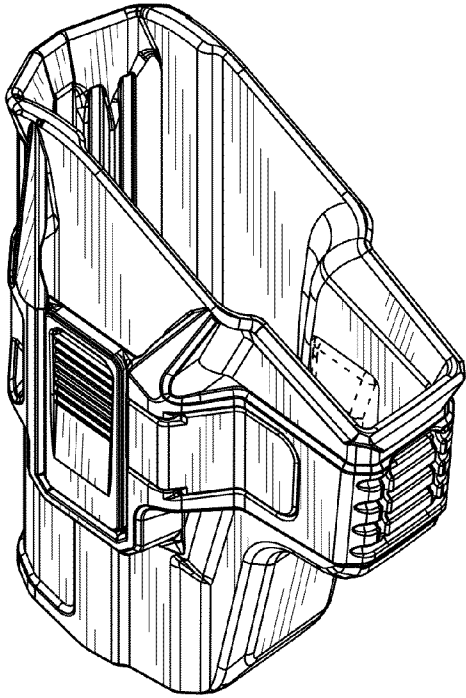


FIG. 10

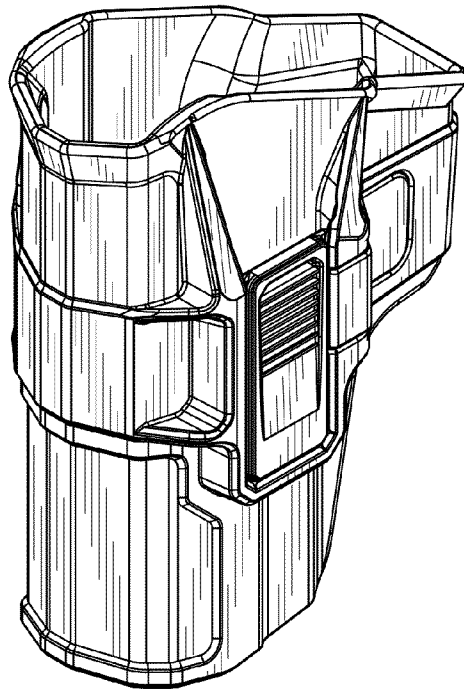


FIG. 11

FIG. 12

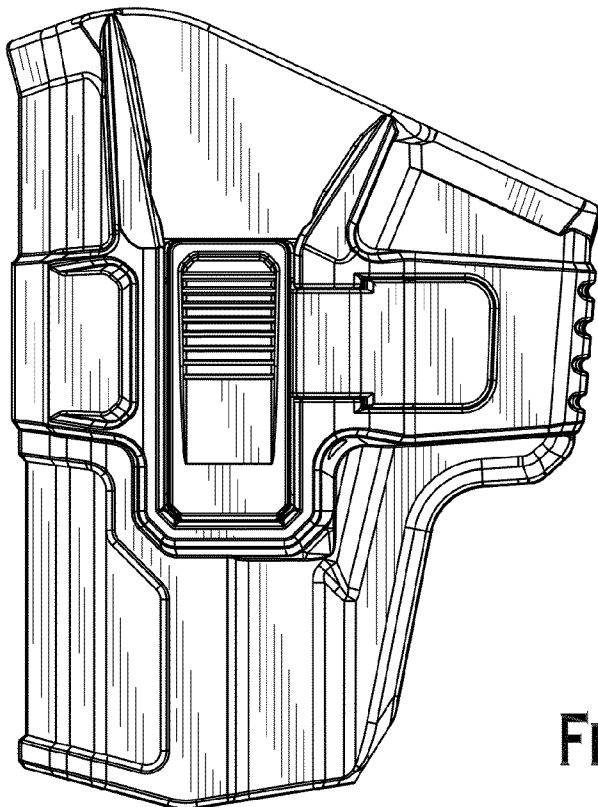
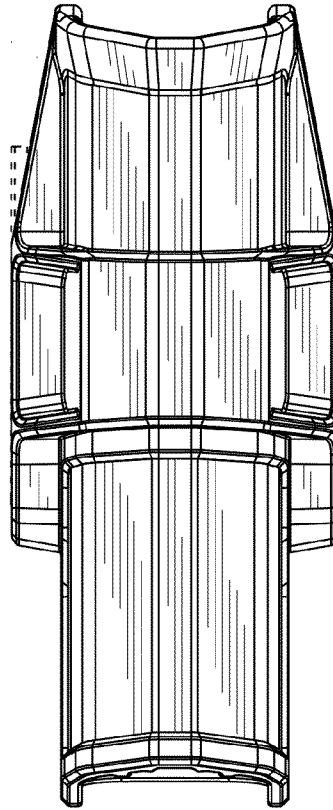


FIG. 13

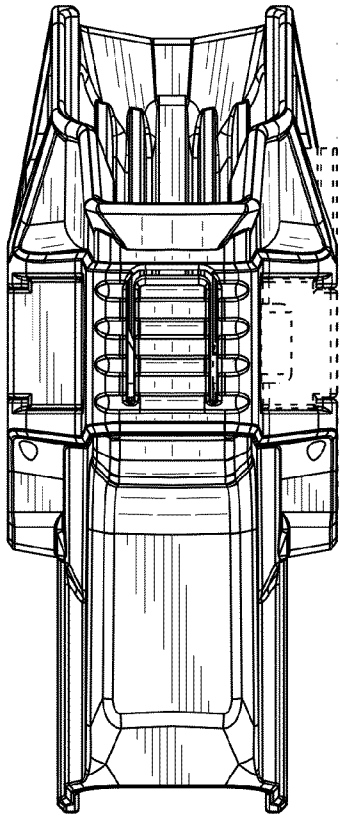


FIG. 14

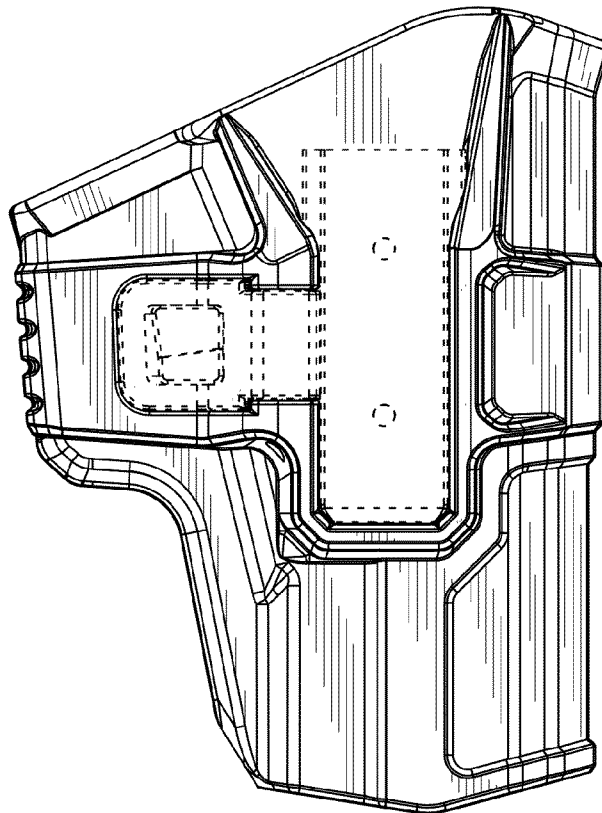


FIG. 15

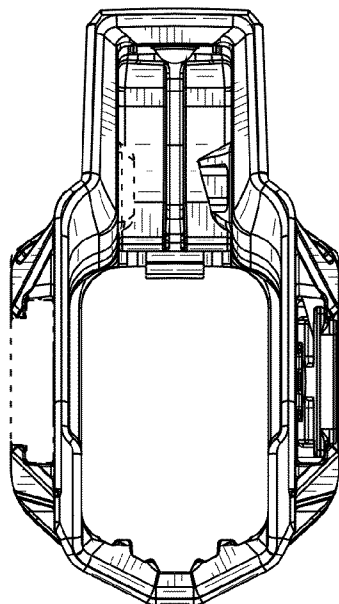


FIG. 16

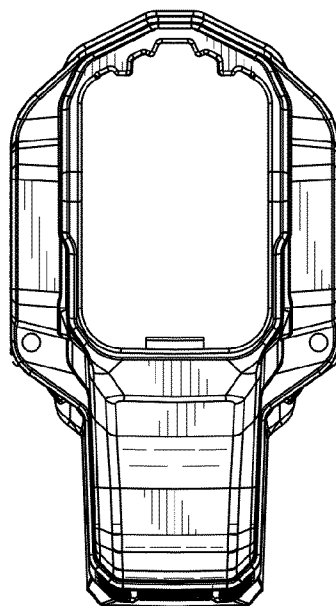


FIG. 17

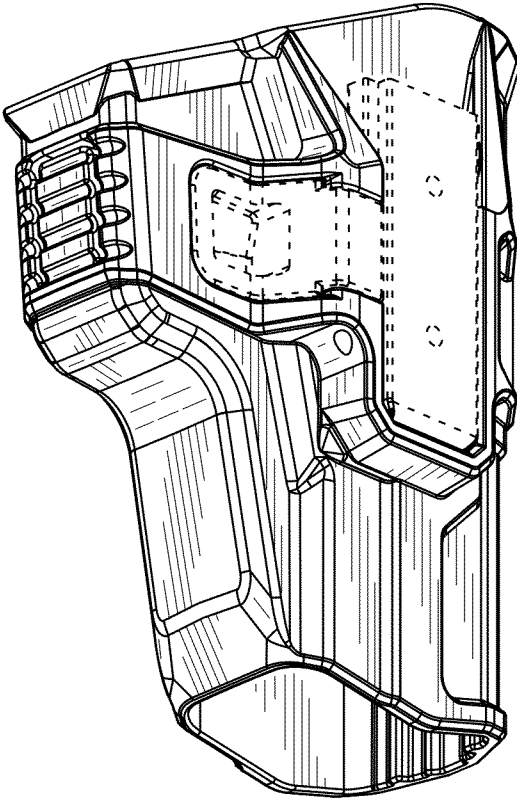


FIG. 18

FIG. 19

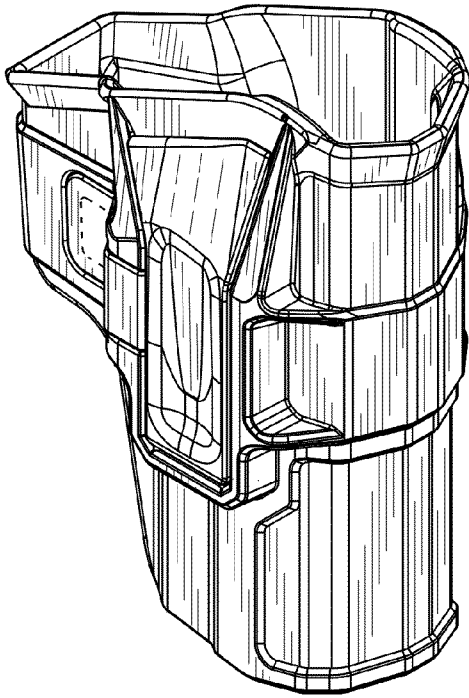
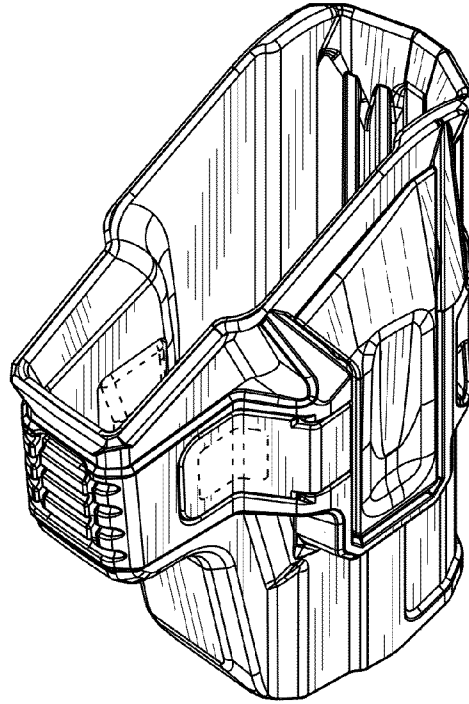


FIG. 20

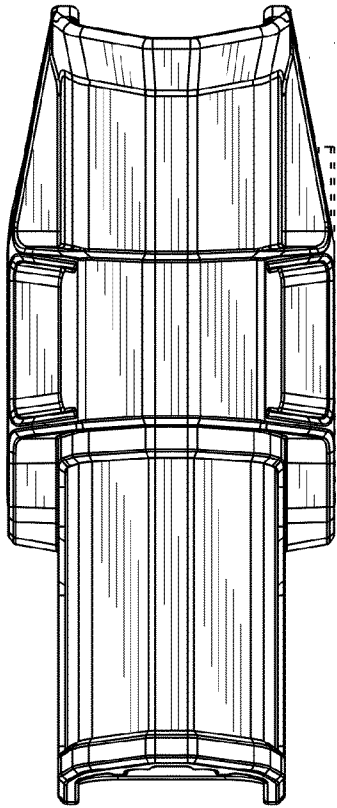


FIG. 21

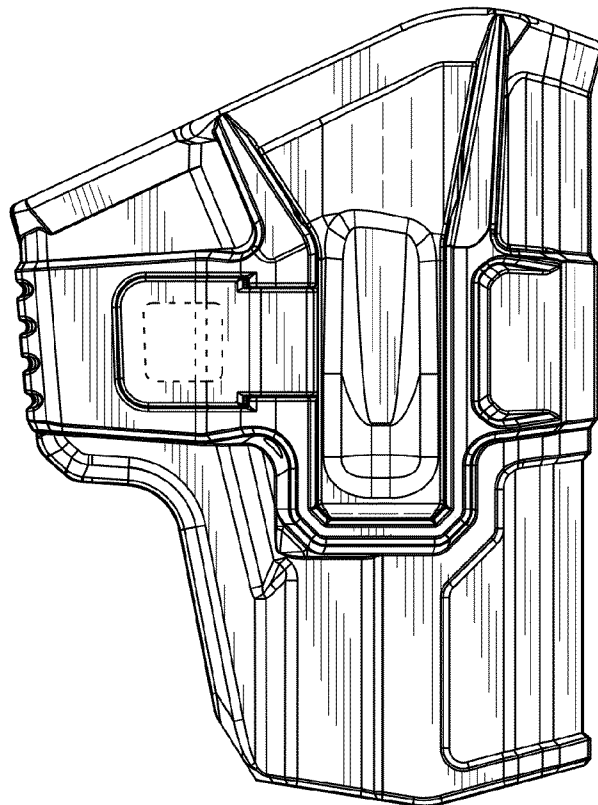


FIG. 22

FIG. 23

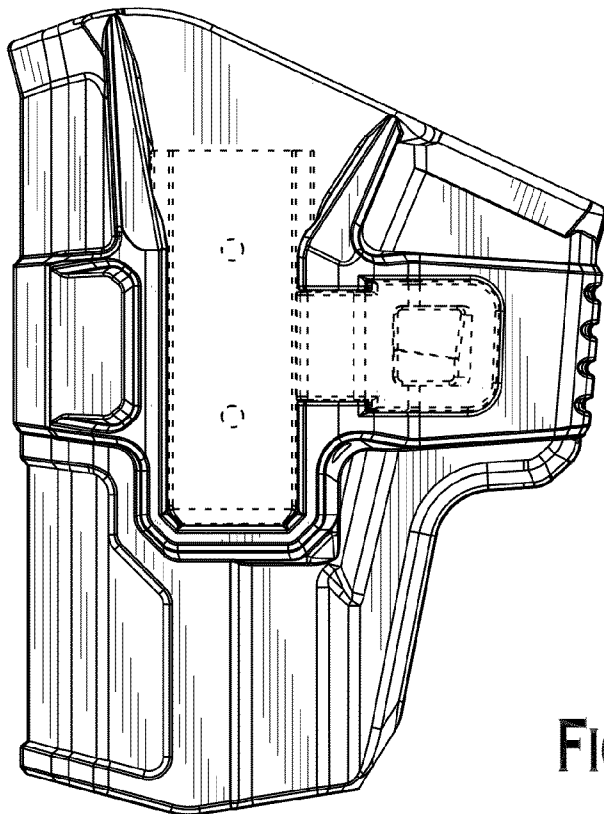
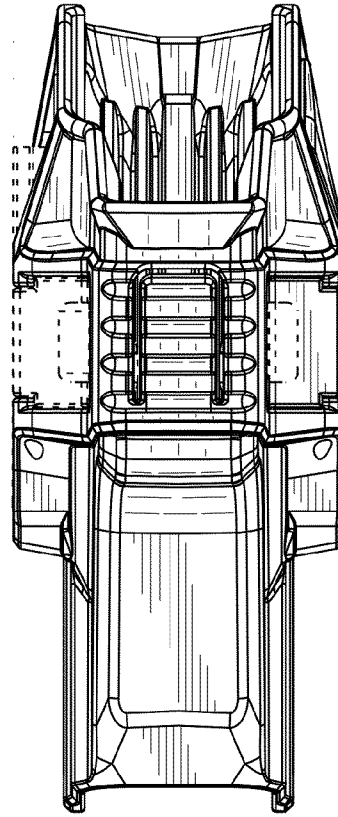


FIG. 24

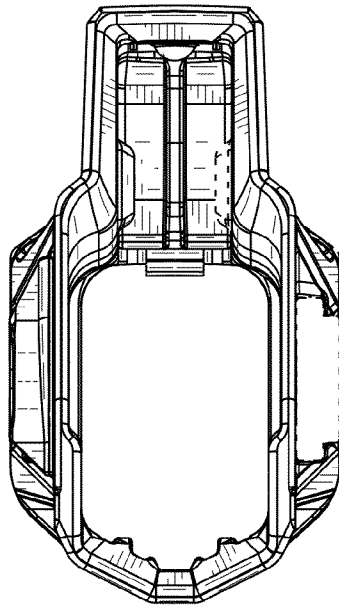


FIG. 25

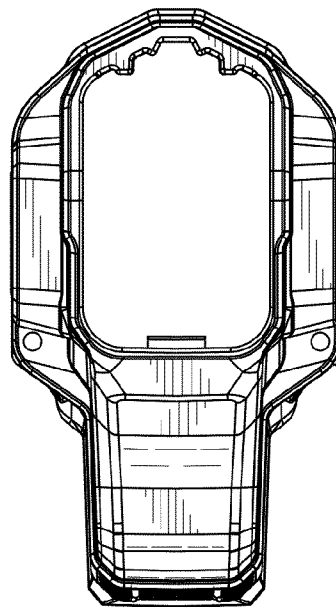


FIG. 26

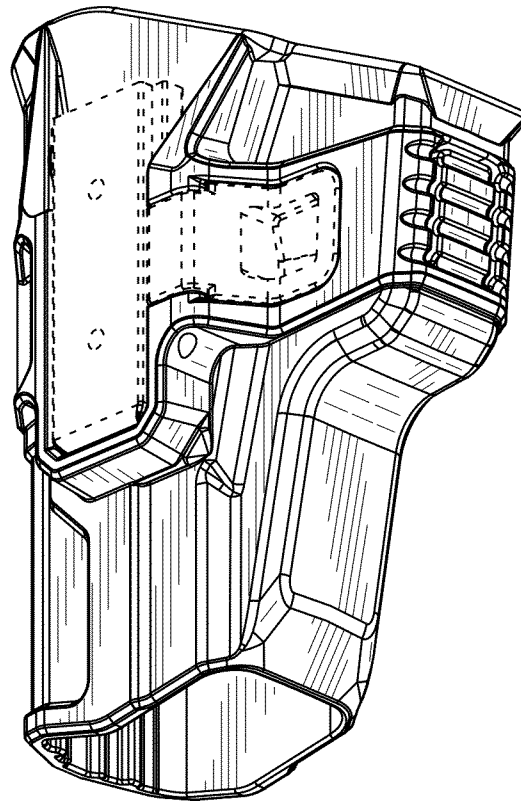


FIG. 27

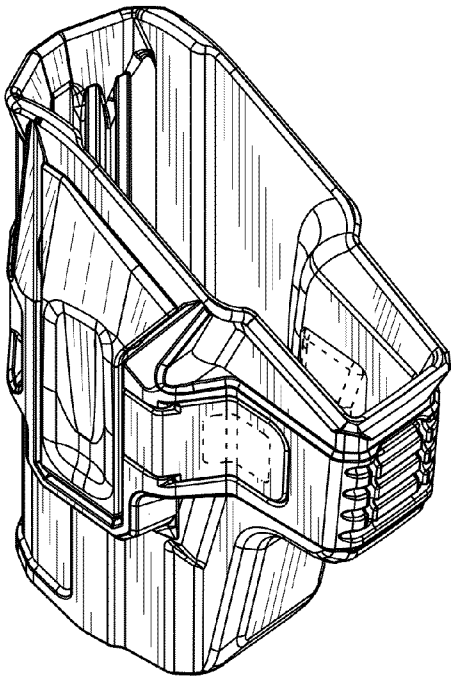


FIG. 28

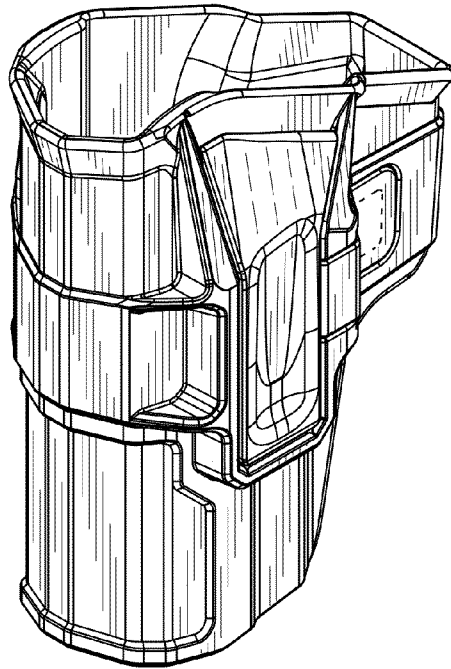


FIG. 29

FIG. 30

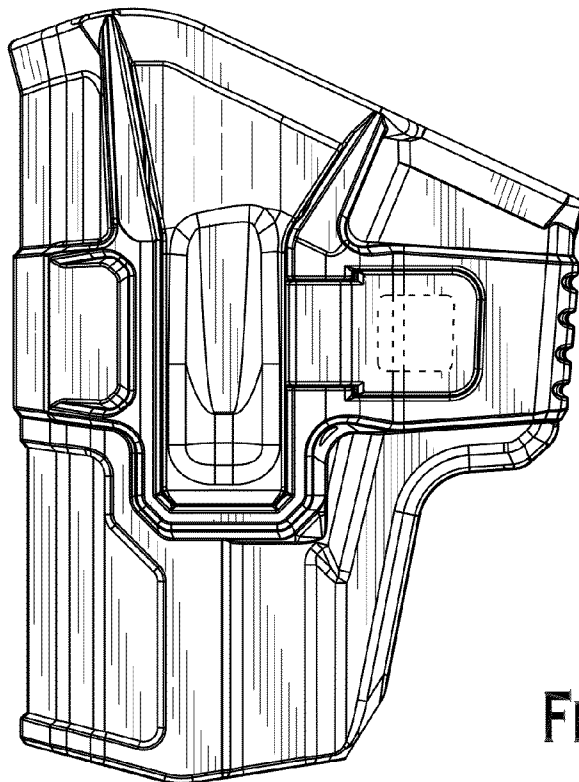
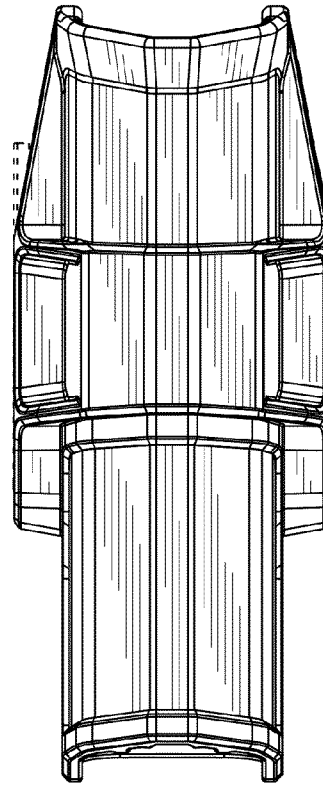


FIG. 31

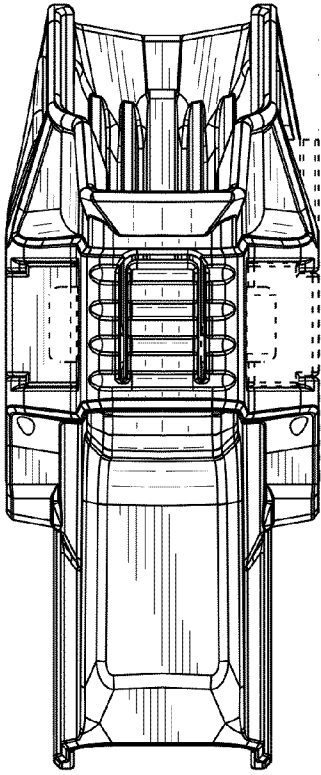


FIG. 32

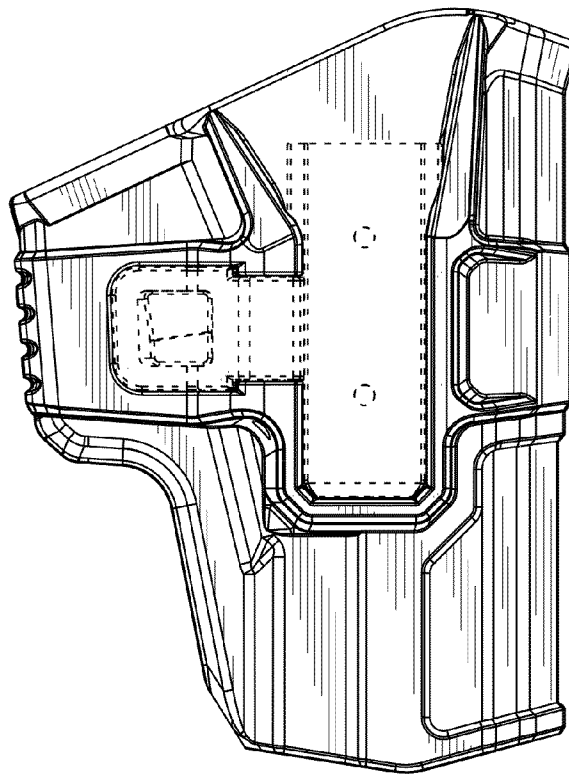


FIG. 33

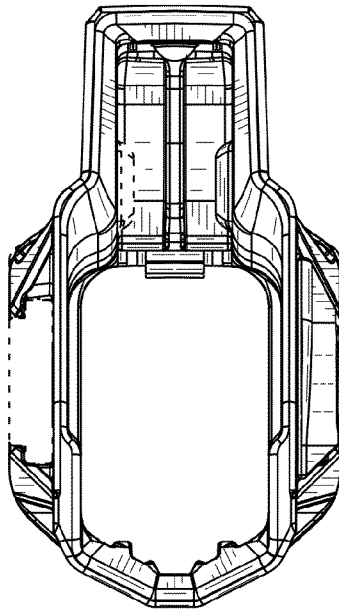


FIG. 34

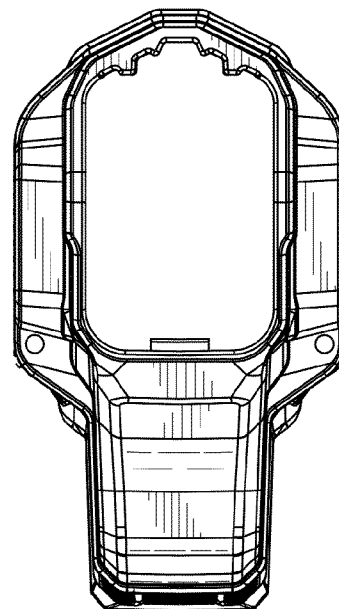


FIG. 35

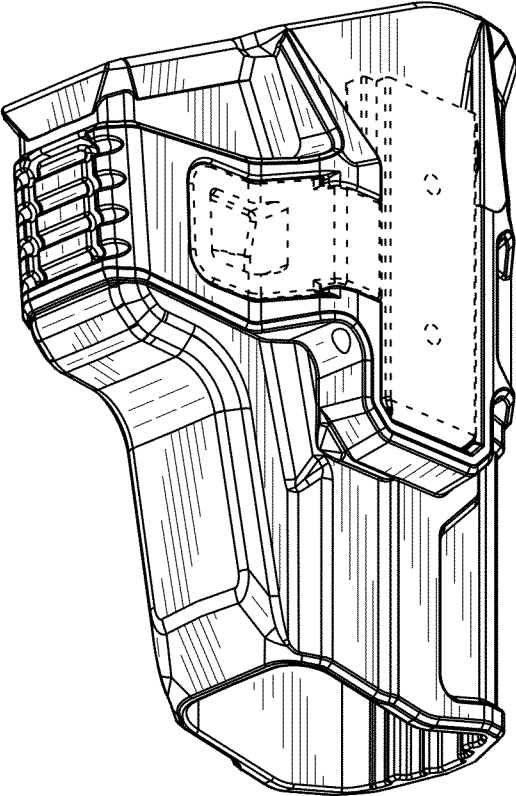


FIG. 36