

(19) World Intellectual Property Organization  
International Bureau



(43) International Publication Date  
20 January 2011 (20.01.2011)

(10) International Publication Number  
**WO 2011/008854 A3**

(51) International Patent Classification:

*B65D 71/36* (2006.01)      *B65D 5/46* (2006.01)  
*B65D 5/44* (2006.01)      *B65D 71/34* (2006.01)  
*B65D 71/32* (2006.01)      *B65D 5/54* (2006.01)

(21) International Application Number:

PCT/US2010/041971

(22) International Filing Date:

14 July 2010 (14.07.2010)

(25) Filing Language:

English

(26) Publication Language:

English

(30) Priority Data:

61/270,857      14 July 2009 (14.07.2009)      US  
61/277,969      1 October 2009 (01.10.2009)      US

(71) Applicant (for all designated States except US):  
**GRAPHIC PACKAGING INTERNATIONAL, INC.**  
[US/US]; 814 Livingston Court, Marietta, GA 30067  
(US).

(72) Inventors; and

(75) Inventors/Applicants (for US only): **SPIVEY, Raymond, R., Sr.** [US/US]; 475 Ivey Court, Mableton, GA 30126 (US). **GOMES, Jean-Manuel** [FR/US]; 2699 Shadow Bluff Drive, Marietta, GA 30062 (US). **WOOL-**

**FORD, Andrew, John** [GB/US]; 1077 Longwood Drive, Woodstock, GA 30189 (US).

(74) Agents: **CLAERBOUT, Andrew, N.** et al.; Womble Carlyle Sandridge & Rice, PLLC, P.O. Box 7037, Atlanta, GA 30357-0037 (US).

(81) Designated States (unless otherwise indicated, for every kind of national protection available): AE, AG, AL, AM, AO, AT, AU, AZ, BA, BB, BG, BH, BR, BW, BY, BZ, CA, CH, CL, CN, CO, CR, CU, CZ, DE, DK, DM, DO, DZ, EC, EE, EG, ES, FI, GB, GD, GE, GH, GM, GT, HN, HR, HU, ID, IL, IN, IS, JP, KE, KG, KM, KN, KP, KR, KZ, LA, LC, LK, LR, LS, LT, LU, LY, MA, MD, ME, MG, MK, MN, MW, MX, MY, MZ, NA, NG, NI, NO, NZ, OM, PE, PG, PH, PL, PT, RO, RS, RU, SC, SD, SE, SG, SK, SL, SM, ST, SV, SY, TH, TJ, TM, TN, TR, TT, TZ, UA, UG, US, UZ, VC, VN, ZA, ZM, ZW.

(84) Designated States (unless otherwise indicated, for every kind of regional protection available): ARIPO (BW, GH, GM, KE, LR, LS, MW, MZ, NA, SD, SL, SZ, TZ, UG, ZM, ZW), Eurasian (AM, AZ, BY, KG, KZ, MD, RU, TJ, TM), European (AL, AT, BE, BG, CH, CY, CZ, DE, DK, EE, ES, FI, FR, GB, GR, HR, HU, IE, IS, IT, LT, LU, LV, MC, MK, MT, NL, NO, PL, PT, RO, SE, SI, SK, SM, TR), OAPI (BF, BJ, CF, CG, CI, CM, GA, GN, GQ, GW, ML, MR, NE, SN, TD, TG).

[Continued on next page]

(54) Title: CARTON WITH INSERT

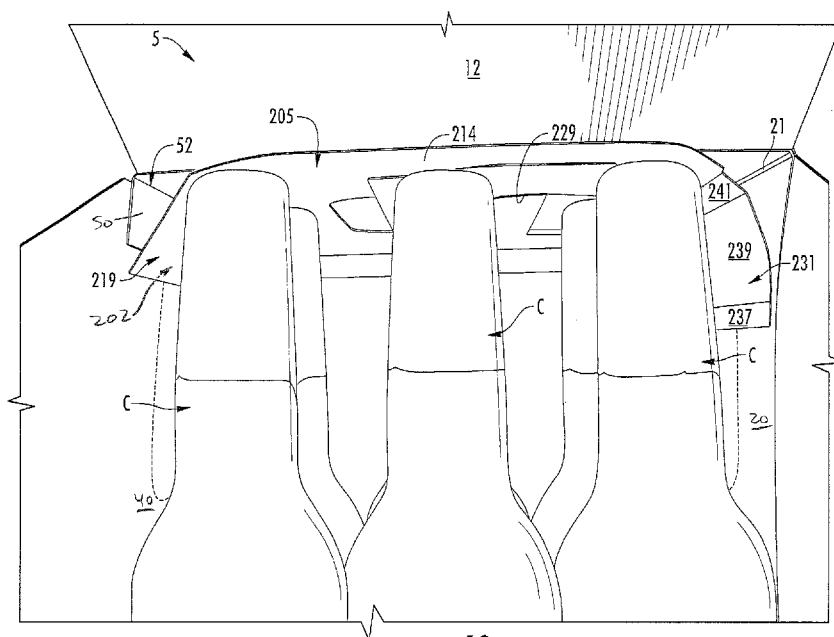


FIG. 10

(57) Abstract: A carton for containing a plurality of articles. The carton has panels that extend at least partially around an interior of the carton. The panels comprise a top panel, a bottom panel, a first side panel, and a second side panel. The carton comprises an insert attached to at least one of the panels for restraining the articles in the carton.



WO 2011/008854 A3



**Declarations under Rule 4.17:**

- *as to applicant's entitlement to apply for and be granted a patent (Rule 4.17(ii))*
- *as to the applicant's entitlement to claim the priority of the earlier application (Rule 4.17(iii))*
- *before the expiration of the time limit for amending the claims and to be republished in the event of receipt of amendments (Rule 48.2(h))*

**(88) Date of publication of the international search report:**  
28 April 2011

**Published:**

- *with international search report (Art. 21(3))*

**A. CLASSIFICATION OF SUBJECT MATTER****B65D 71/36(2006.01)i, B65D 5/44(2006.01)i, B65D 71/32(2006.01)i, B65D 5/46(2006.01)i, B65D 71/34(2006.01)i, B65D 5/54(2006.01)i**

According to International Patent Classification (IPC) or to both national classification and IPC

**B. FIELDS SEARCHED**

Minimum documentation searched (classification system followed by classification symbols)

B65D 71/36; B65D 5/50; B65D 5/49; B65D 71/00

Documentation searched other than minimum documentation to the extent that such documents are included in the fields searched

Korean utility models and applications for utility models

Japanese utility models and applications for utility models

Electronic data base consulted during the international search (name of data base and, where practicable, search terms used)

eKOMPASS(KIPO internal) &amp; Keywords:carton, insert, reinforcing

**C. DOCUMENTS CONSIDERED TO BE RELEVANT**

Category*	Citation of document, with indication, where appropriate, of the relevant passages	Relevant to claim No.
A	JP 2007-532421 A (MEADWESTVACO PACKING SYSTEMS) 15 November 2007 See Paragraph [0001] - Paragraph [0005]; Claim 1; Figure 1A.	1-39
A	KR 10-0154124 B1 (THE MEAD CORPORATION) 18 February 1999 See Page 2 - Page 3; Claim 1; Figures 1,3.	1-39
A	KR 10-0371048 B1 (THE MEAD CORPORATION) 14 August 2003 See Page 1 - Page 2; Claim 1; Figures 1,2.	1-39

 Further documents are listed in the continuation of Box C. See patent family annex.

\* Special categories of cited documents:

"A" document defining the general state of the art which is not considered to be of particular relevance

"E" earlier application or patent but published on or after the international filing date

"L" document which may throw doubts on priority claim(s) or which is cited to establish the publication date of citation or other special reason (as specified)

"O" document referring to an oral disclosure, use, exhibition or other means

"P" document published prior to the international filing date but later than the priority date claimed

"T" later document published after the international filing date or priority date and not in conflict with the application but cited to understand the principle or theory underlying the invention

"X" document of particular relevance; the claimed invention cannot be considered novel or cannot be considered to involve an inventive step when the document is taken alone

"Y" document of particular relevance; the claimed invention cannot be considered to involve an inventive step when the document is combined with one or more other such documents, such combination being obvious to a person skilled in the art

"&amp;" document member of the same patent family

Date of the actual completion of the international search

28 FEBRUARY 2011 (28.02.2011)

Date of mailing of the international search report

**01 MARCH 2011 (01.03.2011)**

Name and mailing address of the ISA/KR

Korean Intellectual Property Office  
Government Complex-Daejeon, 139 Seonsa-ro, Seo-gu,  
Daejeon 302-701, Republic of Korea

Facsimile No. 82-42-472-7140

Authorized officer

KIM, Jeong Rak

Telephone No. 82-42-481-5410



**INTERNATIONAL SEARCH REPORT**

Information on patent family members

International application No.

**PCT/US2010/041971**

Patent document cited in search report	Publication date	Patent family member(s)	Publication date
JP 2007-532421 A	15.11.2007	AU 2005-233161 A1	27.10.2005
		CA 2564472 A1	27.10.2005
		EP 1737736 A1	03.01.2007
		EP 1737736 B1	10.09.2008
		US 2009/0173773 A1	09.07.2009
		WO 2005/100175 A1	27.10.2005
		KR 10-0154124 B1	18.02.1999
EP 0434401 B1	15.06.1994		
JP 02-999270 B2	05.11.1999		
JP 04-279463 A	05.10.1992		
JP 2999270 B2	17.01.2000		
US 04967901A A	06.11.1990		
KR 10-0371048 B1	14.08.2003	CA 2209287 C	23.07.2002
		CN 1082009 C	03.04.2002
		CN 1177327 A	25.03.1998
		CN 1177327 C0	25.03.1998
		EP 0800479 A1	15.10.1997
		EP 0800479 A1	18.08.1999
		EP 0800479 B1	26.04.2000
		EP 0950617 A2	20.10.1999
		EP 0950617 A3	27.10.1999
		EP 0950617 B1	02.05.2007
		EP 1652788 A2	03.05.2006
		JP 2001-527488 A	25.12.2001
		WO 96/21603 A1	18.07.1996