



US00D957224S

(12) **United States Design Patent**
Griot et al.

(10) **Patent No.:** **US D957,224 S**

(45) **Date of Patent:** **** Jul. 12, 2022**

(54) **POLISHER**

(71) Applicant: **Griot's Garage, Inc.**, Tacoma, WA (US)

(72) Inventors: **Richard L. Griot**, Tacoma, WA (US);
Jeffrey L. Brown, Savage, MN (US)

(73) Assignee: **Griot's Garage, Inc.**, Tacoma, WA (US)

(**) Term: **15 Years**

(21) Appl. No.: **29/708,045**

(22) Filed: **Oct. 2, 2019**

(51) **LOC (13) Cl.** **08-05**

(52) **U.S. Cl.**
USPC **D8/61**

(58) **Field of Classification Search**
USPC D8/61, 66, 62, 64; D21/532; D32/19
CPC .. A47L 11/4038; A47L 11/282; B24B 23/028;
B24B 47/12; B24B 7/186; B24B 5/001;
B24B 5/02

See application file for complete search history.

(56) **References Cited**

U.S. PATENT DOCUMENTS

2,553,688 A	5/1951	Thompson
4,102,084 A	7/1978	Bloomquist
D273,173 S	3/1984	Poon
D325,796 S	4/1992	Kallenbach
D330,151 S	10/1992	Fisher
D332,558 S	1/1993	Hoshino et al.
5,187,827 A	2/1993	Wei
D334,126 S	3/1993	Huber et al.
D338,754 S	8/1993	Skrzypek et al.
D353,310 S	12/1994	Izumisawa
D354,424 S	1/1995	Izumisawa
D368,343 S	3/1996	Gebhard et al.
D377,892 S	2/1997	Sung
D380,069 S	6/1997	McCracken
D381,248 S	7/1997	Sung

D392,778 S	3/1998	McCracken
5,856,396 A	1/1999	Vipperman
D413,445 S	9/1999	deBlois et al.
5,978,999 A	11/1999	deBlois et al.
D431,437 S	10/2000	Niwa et al.

(Continued)

FOREIGN PATENT DOCUMENTS

RU 00095869 10/2015

OTHER PUBLICATIONS

Griot's Garage G8 Polisher, Date Visited: May 18, 2021, Griot's Garage, Date Available: May 18, 2021, <https://clean-garage.com/griots-garage-g8-polisher-3-and-2-random-orbital-da/> (Year: 2021).*
(Continued)

Primary Examiner — Susan Bennett Hattan
Assistant Examiner — Elizabeth Sun Ko
(74) *Attorney, Agent, or Firm* — Davis Wright Tremaine LLP

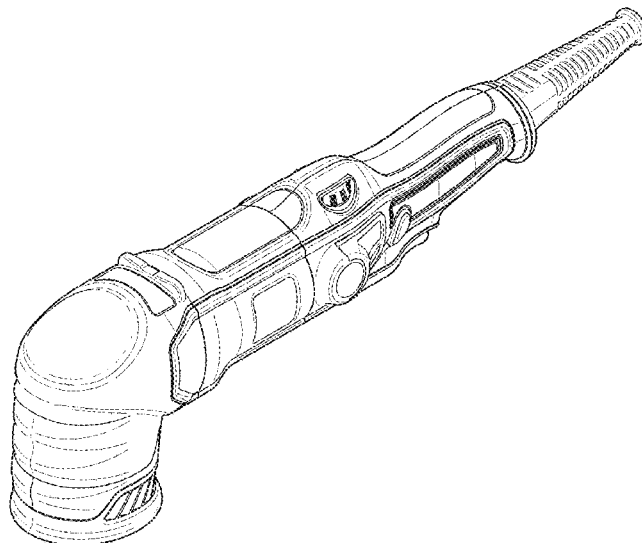
(57) **CLAIM**

The ornamental design for a polisher, as shown and described.

DESCRIPTION

FIG. 1 is a top perspective view of a polisher showing our new design.
FIG. 2 is a bottom perspective view thereof.
FIG. 3 is a left side elevational view thereof.
FIG. 4 is a top plan view thereof.
FIG. 5 is a right side elevational view thereof.
FIG. 6 is a bottom plan view thereof.
FIG. 7 is a front elevational view thereof; and,
FIG. 8 is a rear elevational view thereof.
The broken lines depict portions of the polisher that form no part of the claimed design.

1 Claim, 7 Drawing Sheets



(56)

References Cited

U.S. PATENT DOCUMENTS

D443,397 S 6/2001 Williams
 6,241,594 B1* 6/2001 Lepold B24B 23/005
 451/357
 6,342,002 B1 1/2002 Wang
 D469,932 S* 2/2003 Liang-Ming D32/15
 D471,329 S* 3/2003 Heun D32/15
 D475,489 S 6/2003 McLelland
 D511,953 S 11/2005 Janson
 D520,688 S 5/2006 Bakker
 D525,752 S* 7/2006 Bakker D32/19
 7,077,734 B2* 7/2006 Tiede B24B 23/04
 451/357
 D526,869 S 8/2006 Heun
 D529,244 S 9/2006 Main
 D534,323 S 12/2006 Hong
 D538,490 S 3/2007 Hong
 D546,155 S 7/2007 Wu et al.
 D548,901 S 8/2007 Hong
 D568,703 S* 5/2008 Jiang D8/62
 D569,056 S 5/2008 Zhu
 D590,553 S 4/2009 Crevling, Jr. et al.
 D596,362 S 7/2009 Crevling, Jr. et al.
 D645,622 S* 9/2011 Wright D32/19
 D646,854 S* 10/2011 Wright D32/19
 9,387,578 B2 7/2016 Kuehne et al.
 D781,008 S* 3/2017 Griot D32/15
 D786,643 S* 5/2017 Valentini D8/62
 D790,299 S* 6/2017 Waldron D8/62
 D792,666 S 7/2017 Brown et al.
 D796,133 S 8/2017 Larouche
 D827,404 S* 9/2018 Schneider D8/62
 D830,802 S* 10/2018 Okuda D8/62
 D859,761 S 9/2019 Brown et al.
 D859,762 S 9/2019 Brown et al.
 D859,763 S* 9/2019 Brown D32/19
 D860,556 S* 9/2019 Brown D32/19
 D863,013 S* 10/2019 Kawase D8/61
 D872,550 S* 1/2020 Zhou D8/62
 D924,028 S 7/2021 Gallahar et al.

D929,042 S 8/2021 Lu
 D929,198 S 8/2021 Gysland
 D929,199 S 8/2021 Li et al.
 2004/0224621 A1* 11/2004 Fraser B25F 5/02
 451/359
 2009/0142998 A1* 6/2009 Lin B24B 55/00
 451/359
 2014/0013147 A1 1/2014 Rembert et al.
 2016/0067726 A1 3/2016 Gilpatrick et al.
 2016/0084240 A1 3/2016 Jackson et al.
 2017/0106491 A1* 4/2017 Ishikawa B24B 23/02
 2018/0222011 A1* 8/2018 Eisenblaetter H02K 7/145
 2019/0001458 A1 1/2019 Valentini
 2019/0001459 A1* 1/2019 Valentini B24D 13/20
 2019/0118337 A1 4/2019 Lipson et al.
 2019/0128392 A1* 5/2019 McLain F16C 3/28
 2019/0184516 A1* 6/2019 Schneider B24B 45/006
 2021/0060729 A1 3/2021 McLain et al.

OTHER PUBLICATIONS

Autogeek, "Griots Garage 3 Inch Orbital Polisher," Wayback Machine copy dated Jun. 12, 2010, <https://www.autogeek.net/griots-orbital-polisher.html>, 6 pages.
 Autogeek, "Griots Garage 6 Inch Random Orbital Polisher 3rd Generation," Web Archive Nov. 1, 2012, <https://web.archive.org/web/20121101102903/https://www.autogeek.net/new-griots-polisher.html>, 3 pages.
 Autogeek, "Griots Garage 6 Inch Random Orbital Polisher," Mar. 30, 2013 [retrieved May 13, 2018], <http://www.autogeek.net/new-griots-polisher.html>, 8 pages.
 Autogeek, "Griott's Garage Professional Random Orbital 3 Inch Polisher," Wayback Machine copy dated Jun. 12, 2010, <https://web.archive.org/web/20100612210407/https://www.autogeek.net/griots-orbital-polisher.html> Jun. 12, 2010, 3 pages.
 Yahoo, "6 Inch Orbital Tech," Web Archive copy Jun. 13, 2013, <https://web.archive.org/web/20130613203238/https://lib.store.yahoo.net/lib/autogeek/griots-6-inch-breakdown.jpg>, 2 pages.

* cited by examiner

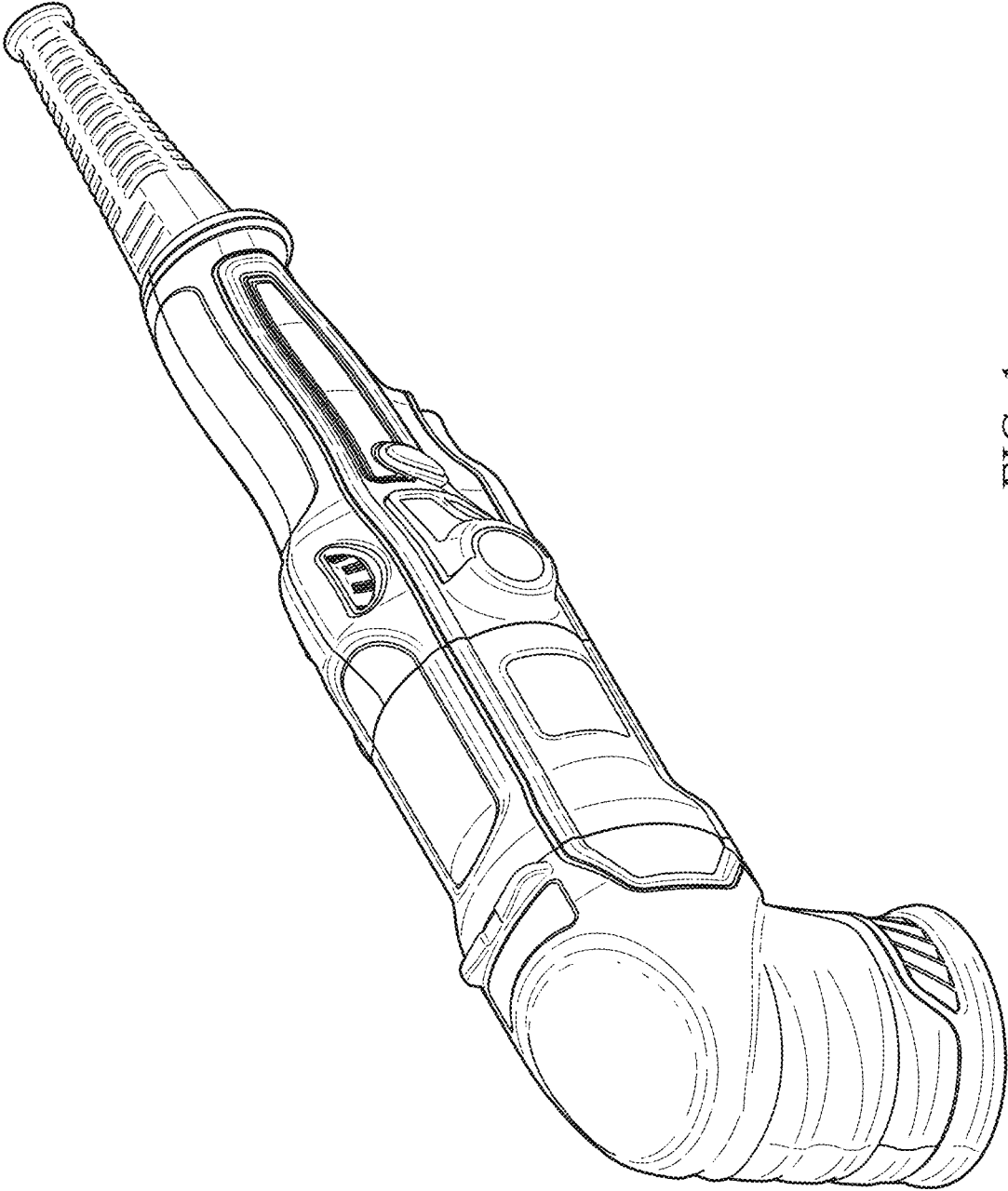


FIG. 1

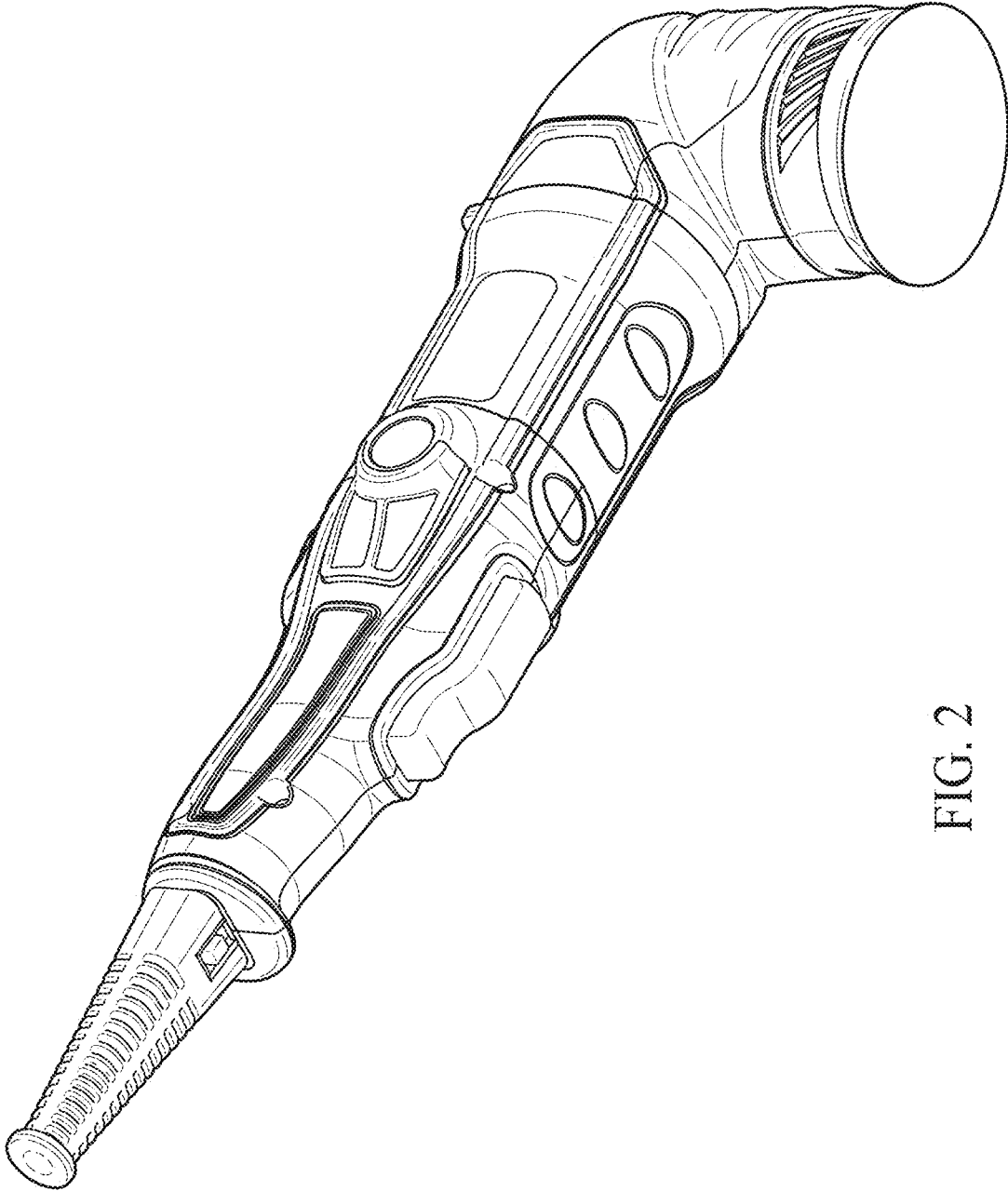


FIG. 2

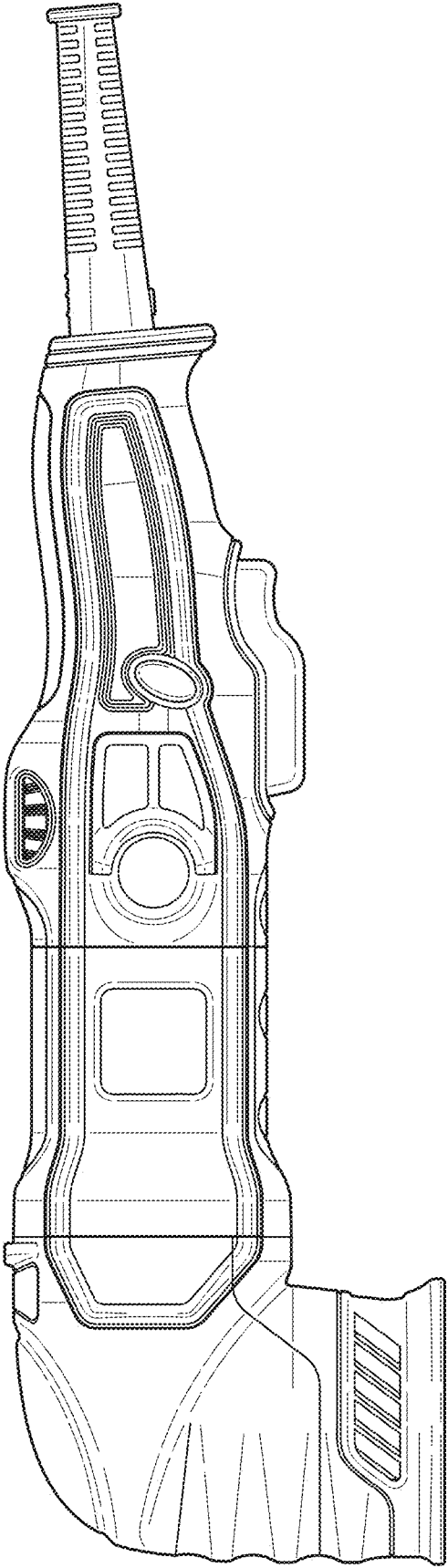


FIG. 3

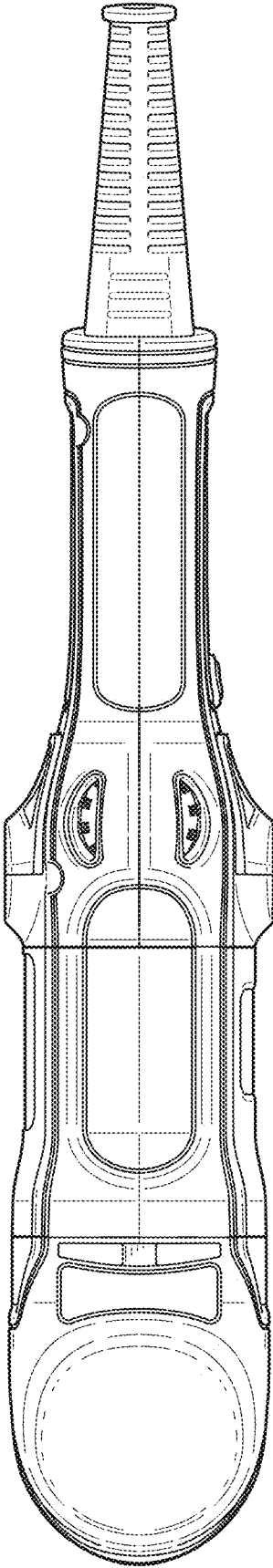


FIG. 4

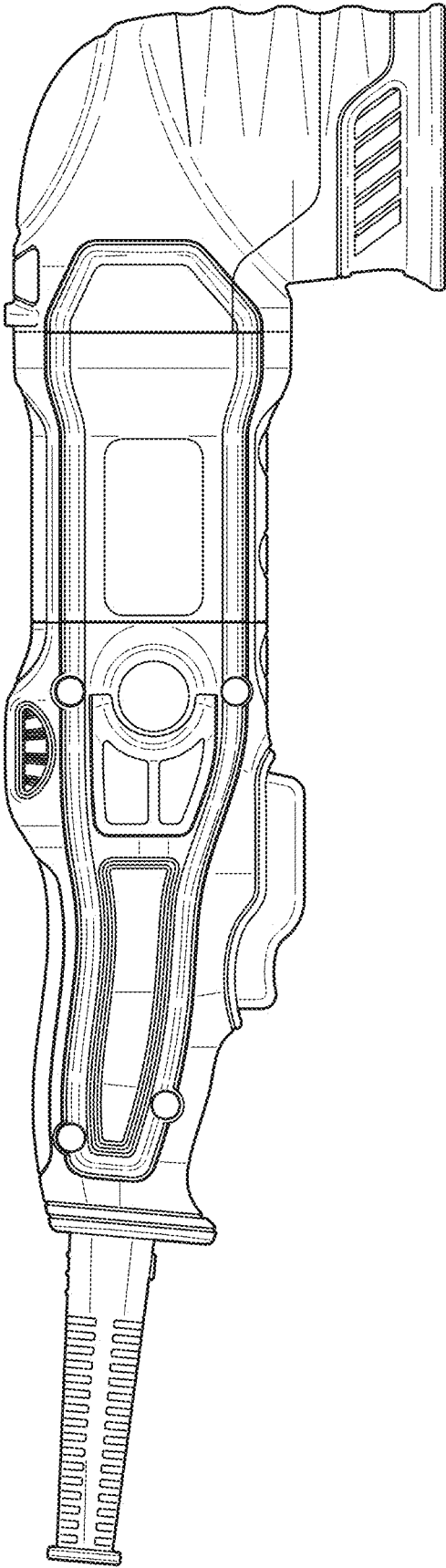


FIG. 5

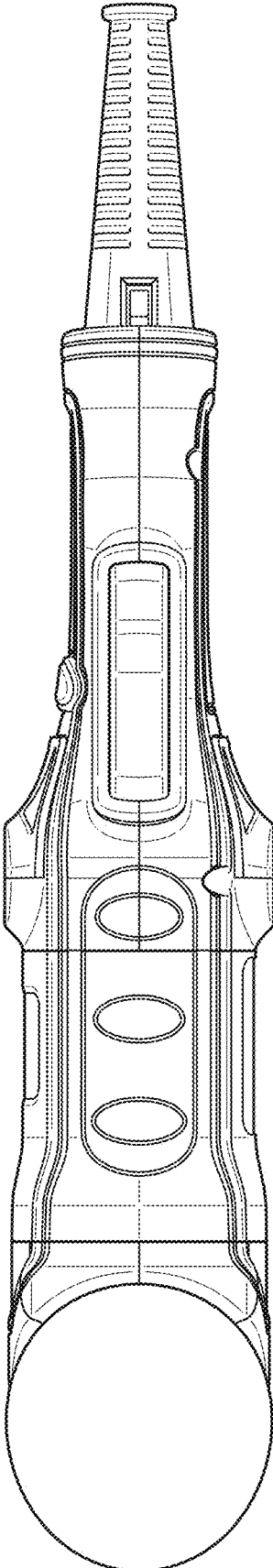


FIG. 6

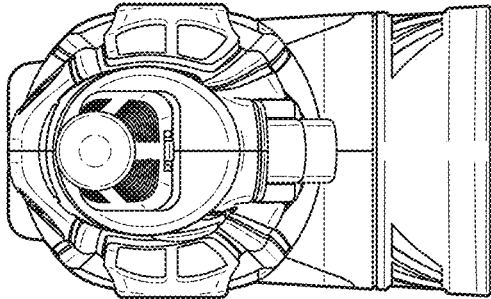


FIG. 8

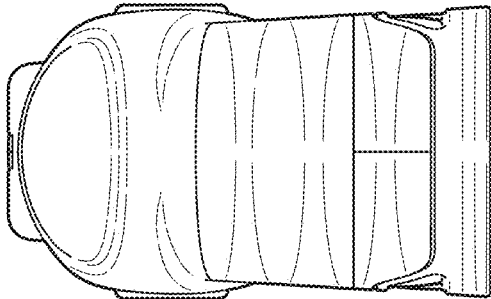


FIG. 7