



US0D1004576S

(12) **United States Design Patent**
Dai

(10) **Patent No.:** **US D1,004,576 S**

(45) **Date of Patent:** **** Nov. 14, 2023**

(54) **MICROPHONE**

(71) Applicant: **Huan Dai**, Shenzhen (CN)

(72) Inventor: **Huan Dai**, Shenzhen (CN)

(**) Term: **15 Years**

(21) Appl. No.: **29/826,628**

(22) Filed: **Feb. 14, 2022**

(30) **Foreign Application Priority Data**

Dec. 28, 2021 (CN) 202130866503.8

(51) **LOC (14) Cl.** **14-01**

(52) **U.S. Cl.**

USPC **D14/228**

(58) **Field of Classification Search**

USPC D14/228, 225, 226, 217, 188, 197, 155,
D14/162, 240, 242; D13/183, 146, 147,
D13/154; 381/380-381, 183, 355, 356,
381/369, 423; D21/513, 483; 403/34

CPC H04R 25/00; H04R 25/02; H04R 9/08;
H04R 11/04; H04R 19/04; H04R 1/02

See application file for complete search history.

5,127,870 A * 7/1992 Lin A63H 5/00
181/138

5,345,953 A * 9/1994 Taylor A24F 13/18
131/256

D417,869 S * 12/1999 Yasutomi D14/168

6,061,457 A * 5/2000 Stockhamer H04R 1/00
367/188

D433,404 S * 11/2000 Thakur D14/218

D442,932 S * 5/2001 Koike D14/155

D447,470 S * 9/2001 Obata D14/167

D449,041 S * 10/2001 Koike D14/228

D473,465 S * 4/2003 Green D9/600

6,597,796 B2 * 7/2003 Chang H04R 9/08
381/361

D479,837 S * 9/2003 Sundquist D14/228

(Continued)

FOREIGN PATENT DOCUMENTS

CN 304800445 * 9/2018

CN 304821388 * 9/2018

(Continued)

Primary Examiner — Paula Allen Greene
(74) *Attorney, Agent, or Firm* — Jeenam Park

(57) **CLAIM**

The ornamental design for a microphone, as shown and described.

(56) **References Cited**

U.S. PATENT DOCUMENTS

2,715,961 A * 8/1955 Field A62C 99/009
220/4.27

2,870,856 A * 1/1959 Olson H04R 1/38
381/345

2,910,539 A * 10/1959 Hartsfield H04R 19/04
381/174

3,201,530 A * 8/1965 Levy H04R 1/08
381/91

3,564,416 A * 2/1971 Price H04B 5/06
455/117

D278,625 S * 4/1985 Mathiasen D14/228

4,910,795 A * 3/1990 McCowen H04R 1/083
455/128

DESCRIPTION

FIG. 1 is a perspective view of a microphone, showing my new design;

FIG. 2 is another perspective view thereof;

FIG. 3 is a front view thereof;

FIG. 4 is a rear view thereof;

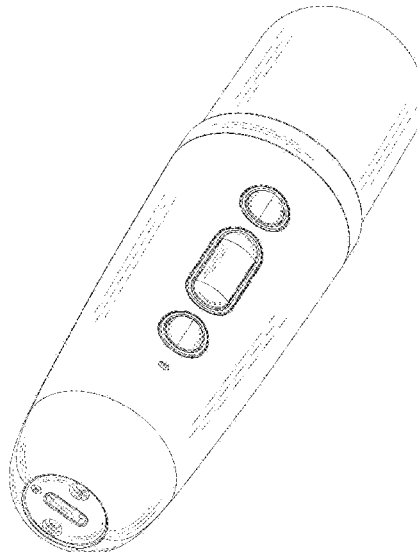
FIG. 5 is a left side view thereof;

FIG. 6 is a right side view thereof;

FIG. 7 is a top plan view thereof; and,

FIG. 8 is a bottom plan view thereof.

1 Claim, 8 Drawing Sheets



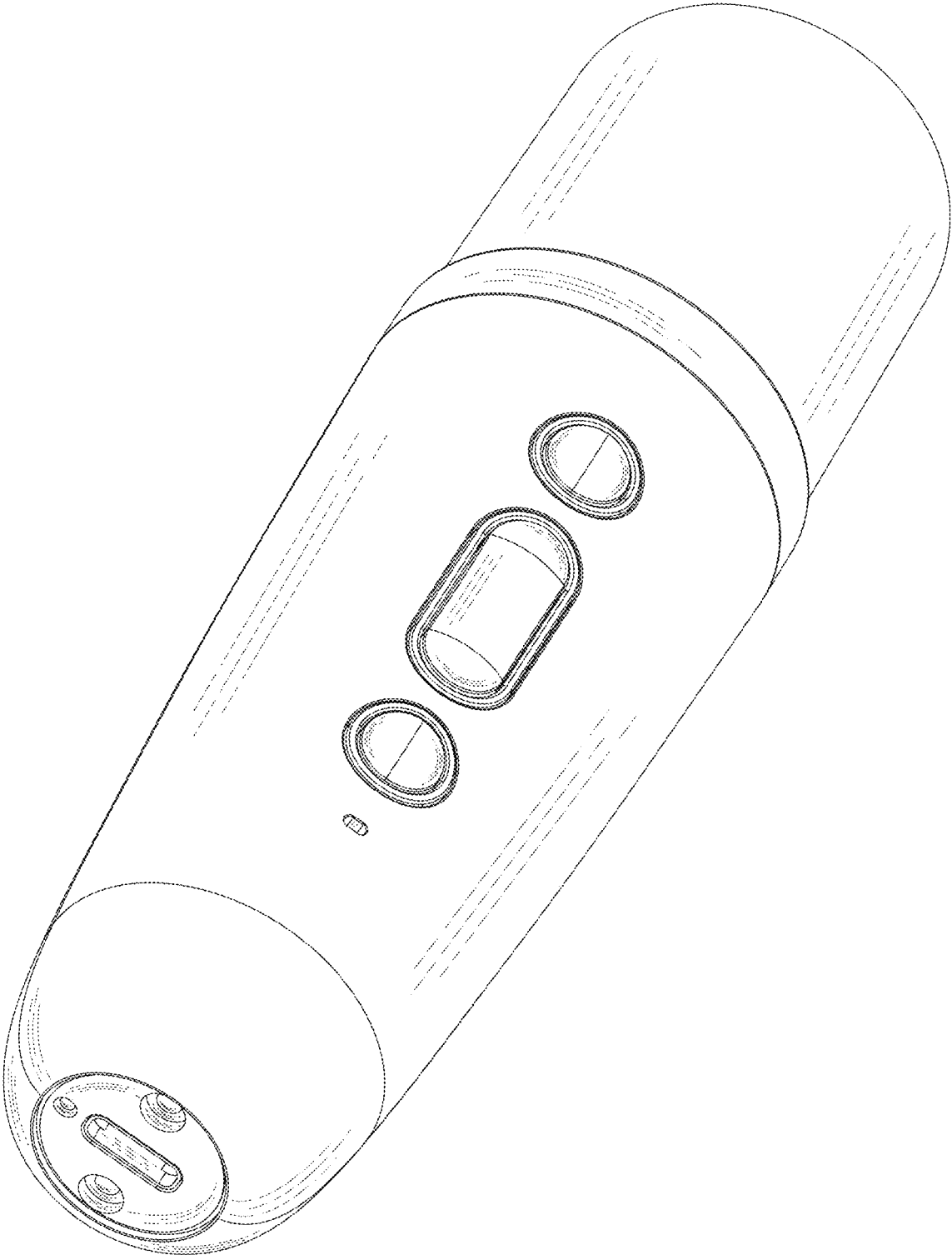


FIG. 1

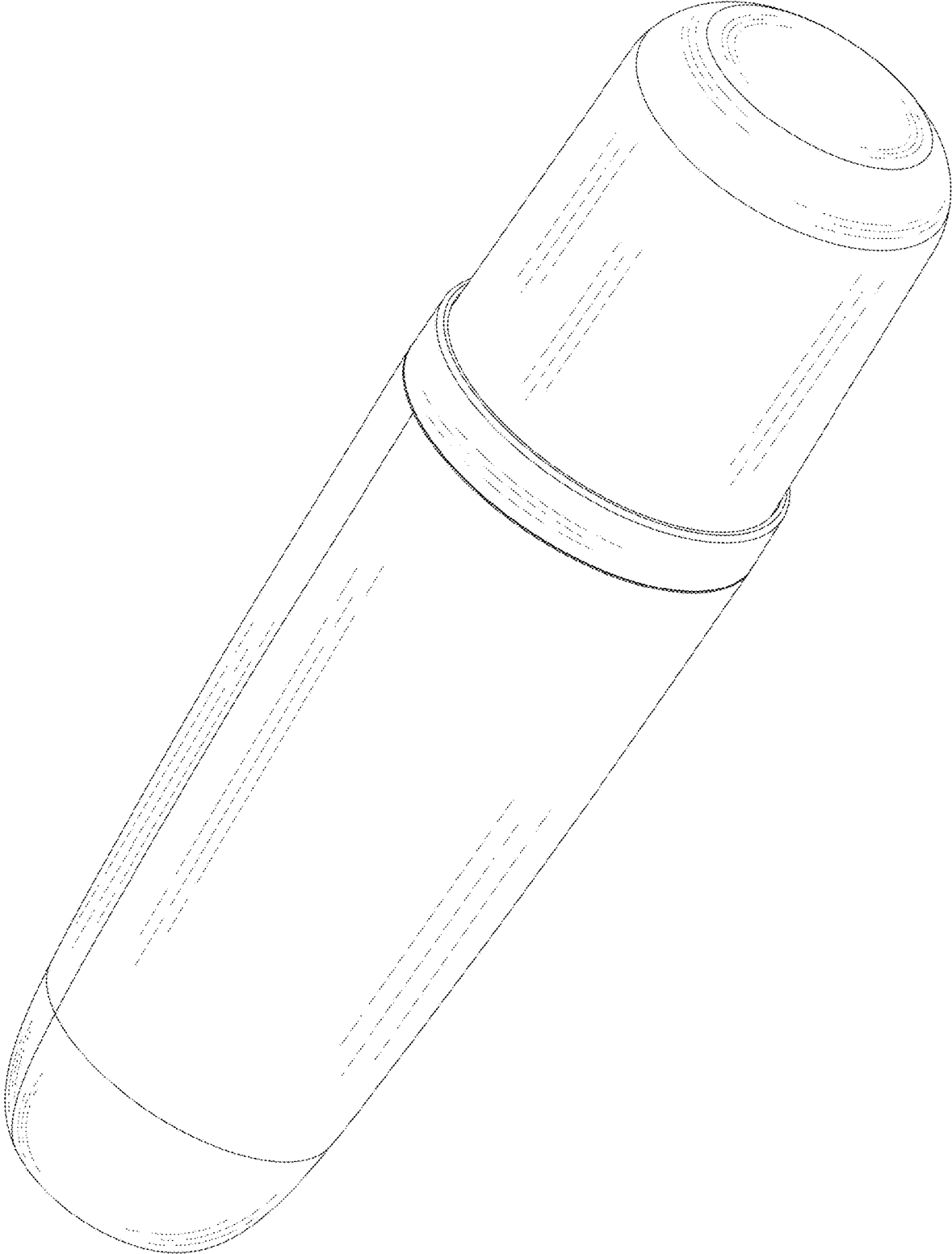


FIG. 2

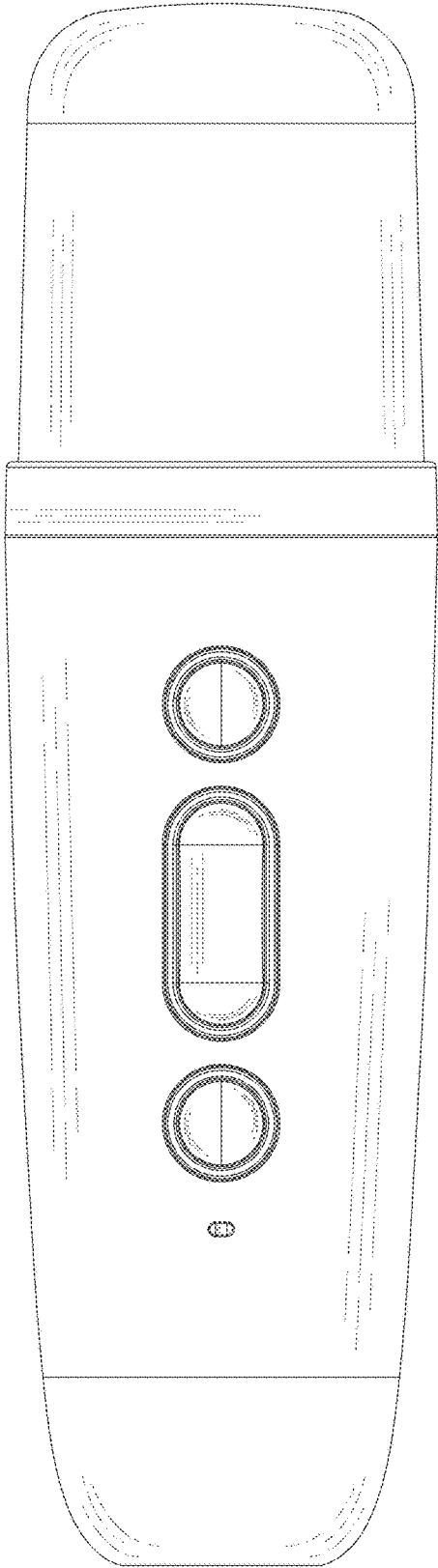


FIG. 3

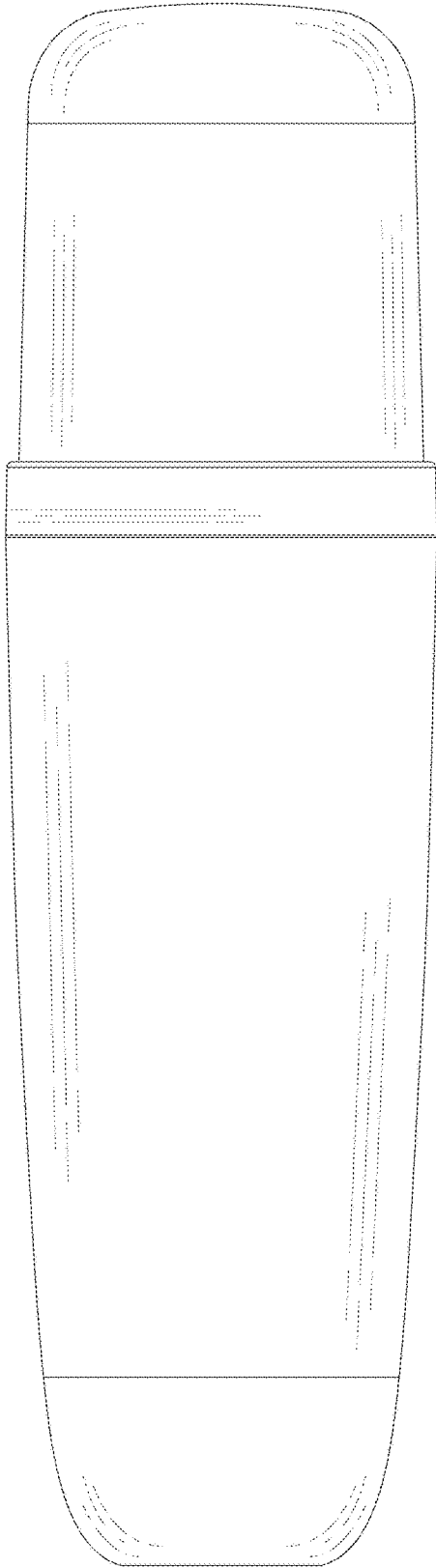


FIG. 4

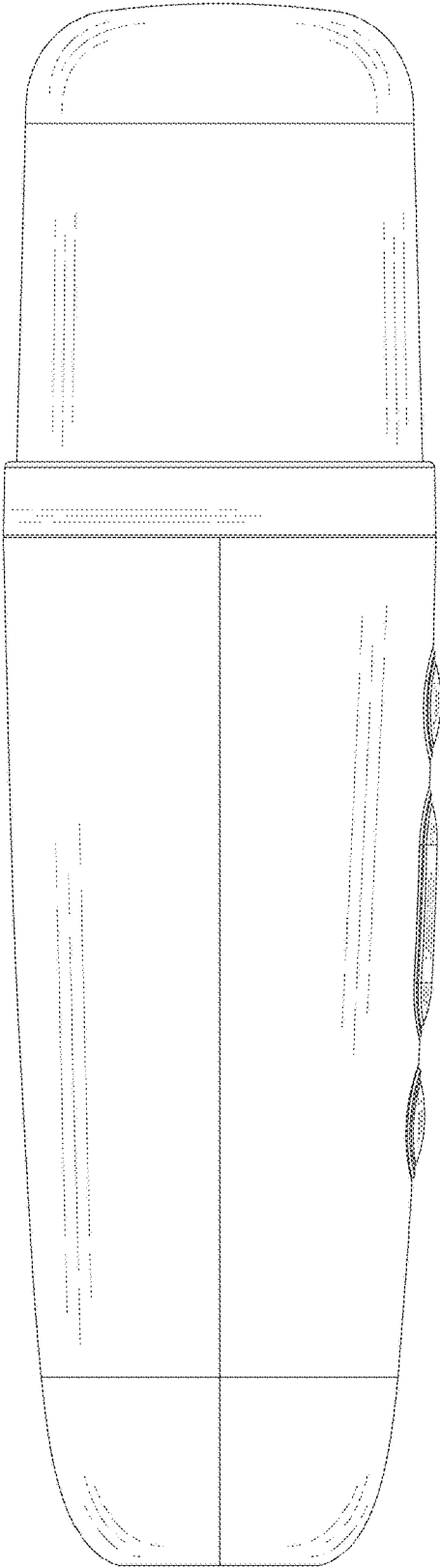


FIG. 5

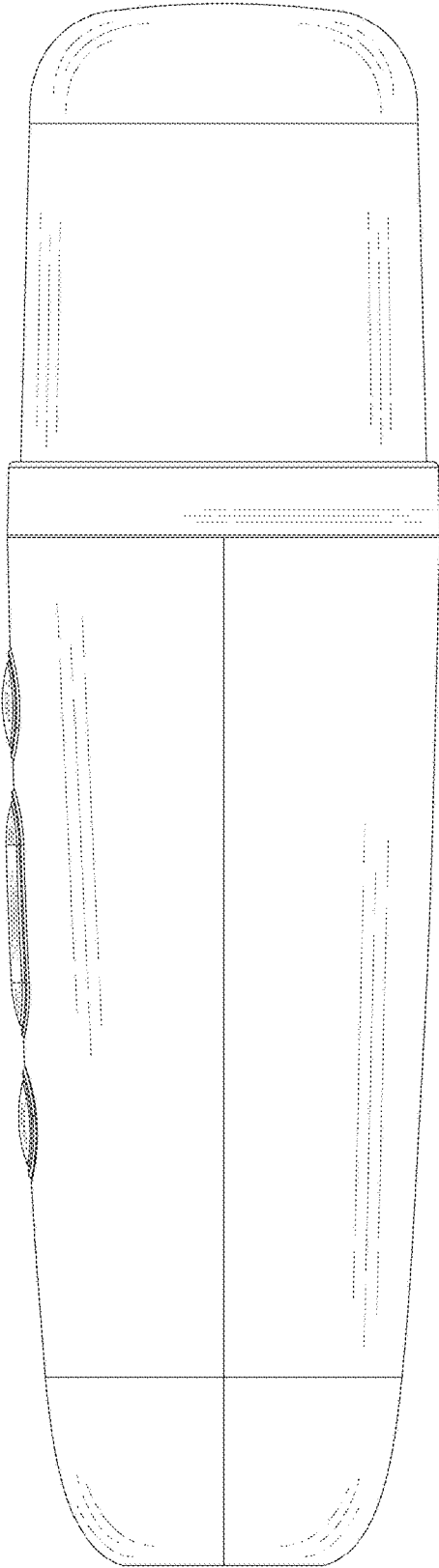


FIG. 6

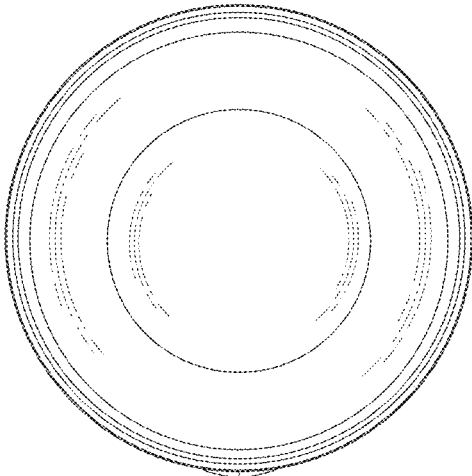


FIG. 7

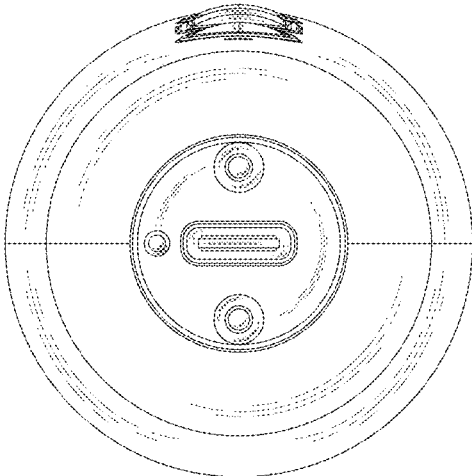


FIG. 8