



US00D738310S

(12) **United States Design Patent**
Fletcher

(10) **Patent No.:** **US D738,310 S**

(45) **Date of Patent:** **** Sep. 8, 2015**

(54) **RECEPTACLE PLUG WITH GRIP**

(56) **References Cited**

(71) Applicant: **Valterra Products LLC**, Mission Hills,
CA (US)

(72) Inventor: **Bryan Fletcher**, Lodi, CA (US)

(73) Assignee: **Valterra Products LLC**, Mission Hills,
CA (US)

(**) Term: **14 Years**

(21) Appl. No.: **29/503,208**

(22) Filed: **Sep. 24, 2014**

U.S. PATENT DOCUMENTS

D511,748 S	11/2005	Caine et al.	
D549,651 S *	8/2007	Mancari et al.	D13/138.2
D586,296 S *	2/2009	Liu	D13/138.2
D592,139 S *	5/2009	Wu	D13/138.2
D592,141 S *	5/2009	Mancari et al.	D13/139.1
D602,434 S *	10/2009	Mancari et al.	D13/139.1
D614,571 S *	4/2010	Wu	D13/138.2
D635,515 S *	4/2011	Atwell et al.	D13/138.2
D638,359 S *	5/2011	Atwell et al.	D13/138.2
D660,235 S *	5/2012	Liang-Hsu et al.	D13/138.2
D664,095 S *	7/2012	Benedict et al.	D13/138.2
D667,791 S *	9/2012	Angel et al.	D13/133
D667,792 S *	9/2012	Angel et al.	D13/133

* cited by examiner

Primary Examiner — Holly Baynham

Assistant Examiner — Rhea Shields

(74) *Attorney, Agent, or Firm* — Tracy M. Heims; Apex
Juris, pllc

Related U.S. Application Data

(62) Division of application No. 29/471,742, filed on Nov.
4, 2013.

(51) **LOC (10) Cl.** **13-03**

(52) **U.S. Cl.**
USPC **D13/138.2**

(58) **Field of Classification Search**

USPC D13/138.2, 137.1–137.4, 118, 123, 156,
D13/184, 199, 133; 363/15, 34, 146;
439/105–107, 650–653; 174/42, 45,
174/50, 54, 53
CPC H02M 5/4585; H02G 7/14; H02G 3/088;
H01L 2924/01079

See application file for complete search history.

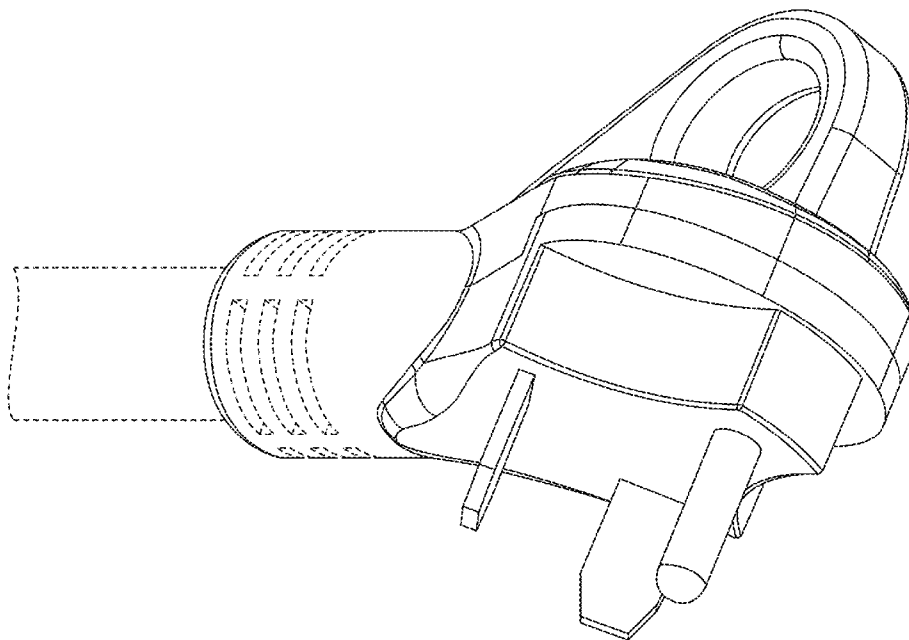
CLAIM

(57) The ornamental design for a receptacle plug with grip, as
shown and described.

DESCRIPTION

FIG. 1 is a perspective view of a receptacle plug with grip
embodying the design;
FIG. 2 is a top view of the receptacle plug with grip
thereof;
FIG. 3 is a back side view of the receptacle plug with grip
thereof; and,
FIG. 4 is a front side view of the receptacle plug with grip
thereof.
Any broken lines depict unclaimed subject matter only and
form no part of the claimed design.

1 Claim, 4 Drawing Sheets



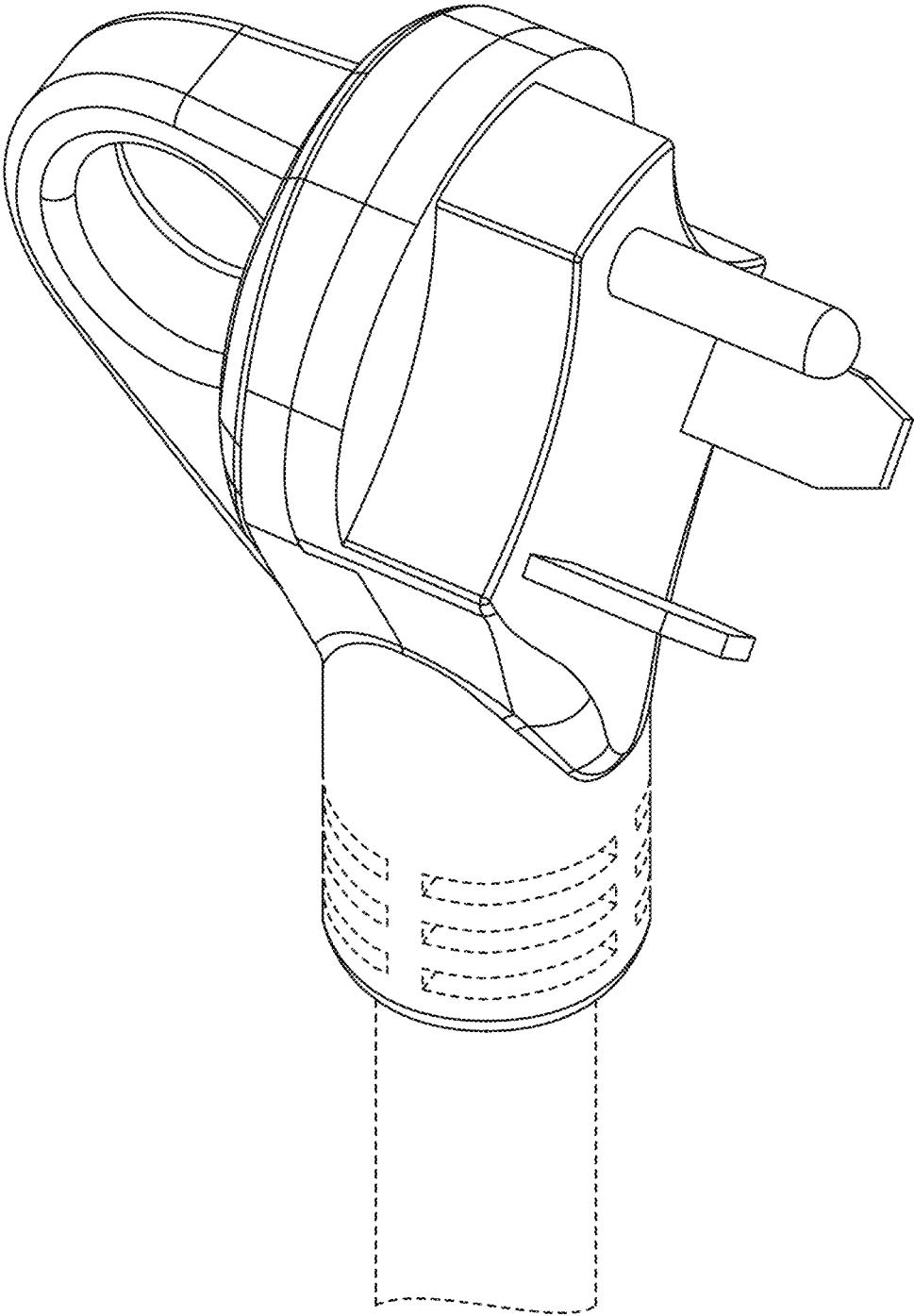


FIG. 1

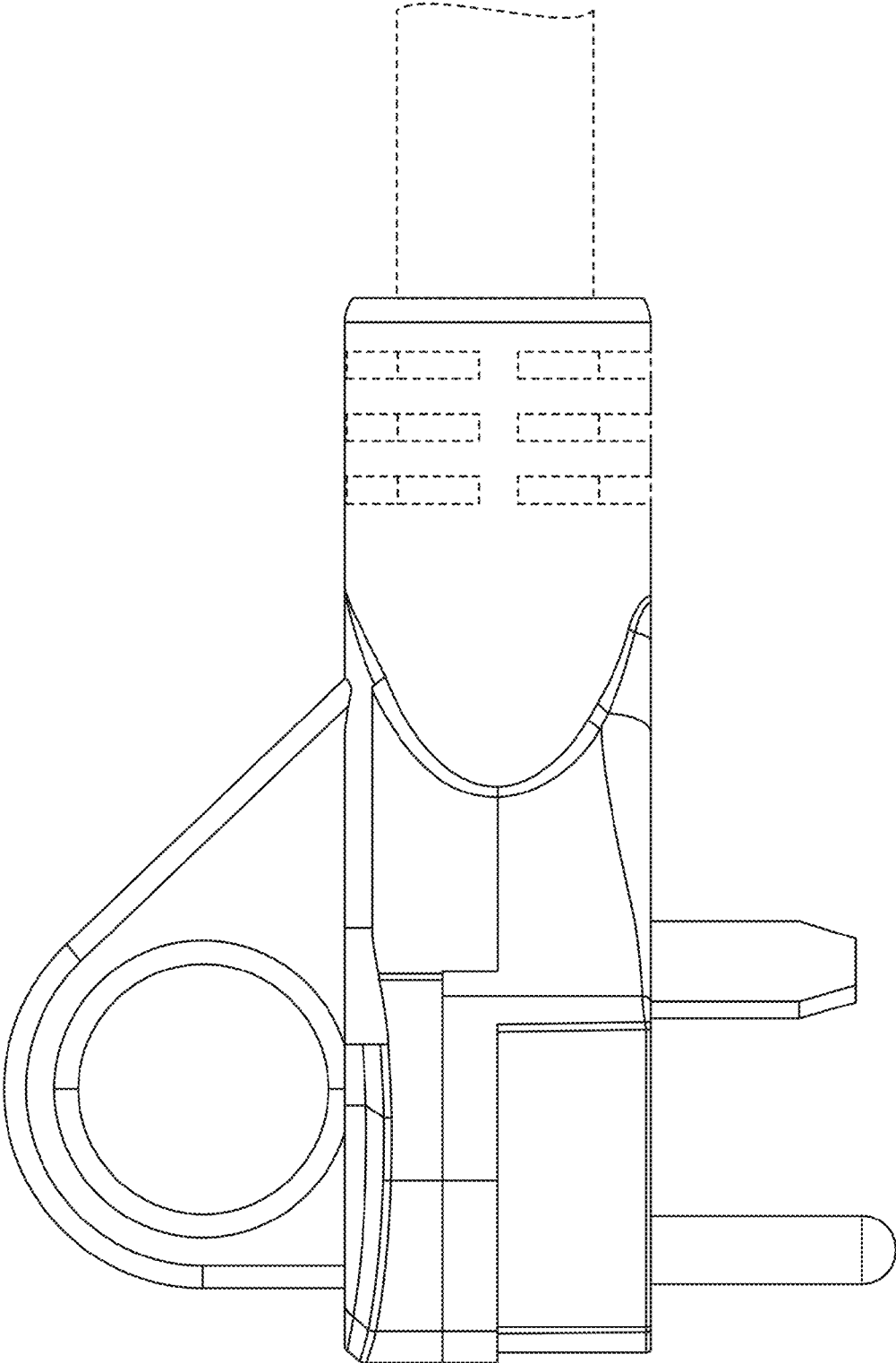


FIG. 2

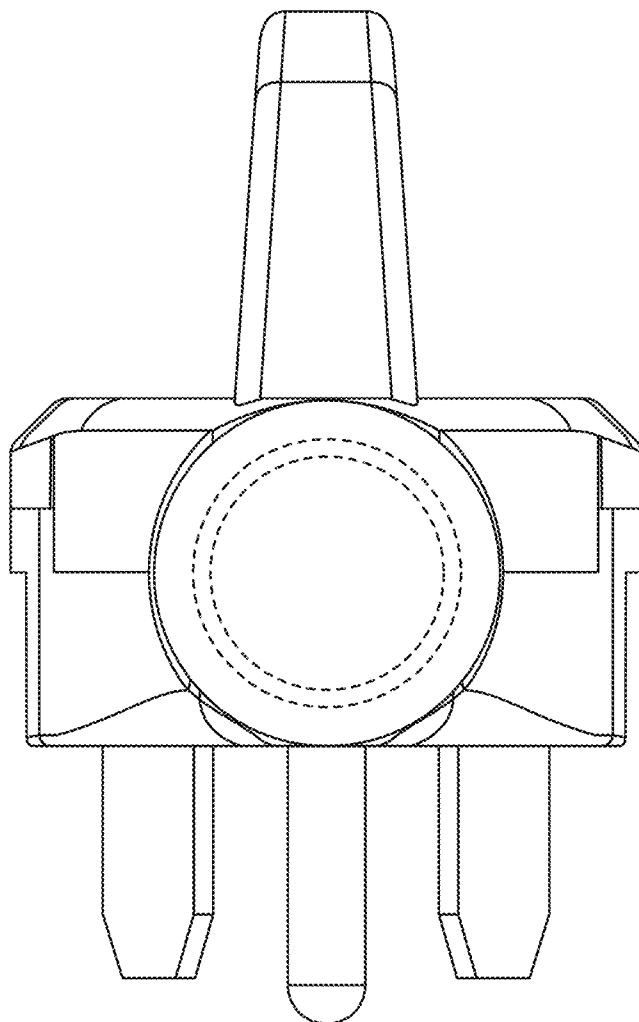


FIG. 3

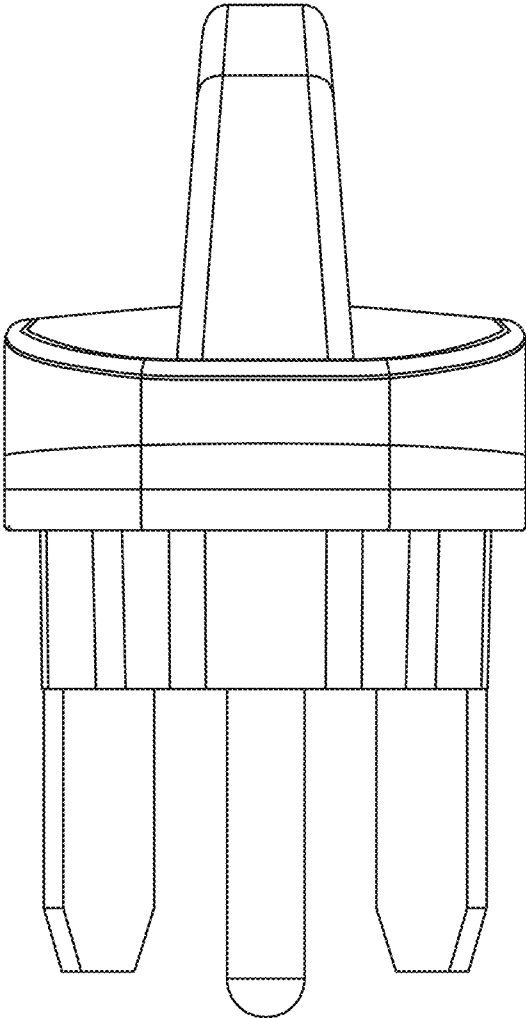


FIG. 4