



US00D369691S

United States Patent [19] Haynes

[11] Patent Number: Des. 369,691

[45] Date of Patent: **May 14, 1996

[54] **MESSAGE CHAIR**

5,295,728 3/1994 Schaevitz 297/195.1
5,401,078 3/1995 Riach 297/423.11

[76] Inventor: **Robin Haynes**, 1730 Industrial Dr.,
Auburn, Calif. 95603

[**] Term: **14 Years**

[21] Appl. No.: **37,827**

[22] Filed: **Apr. 21, 1995**

[52] U.S. Cl. **D6/367**; D6/335; D6/340

[58] **Field of Search** D6/334, 335, 340,
D6/354, 360, 367, 374, 500, 501, 502;
297/195.11, 423.11, 423.12; 601/24

[56] **References Cited**

U.S. PATENT DOCUMENTS

D. 265,612	8/1982	Gusrud et al.	D6/38
D. 292,654	11/1987	Melvin	D6/360
D. 299,594	1/1989	Richardson	D6/335
D. 323,073	1/1992	Opsvik	D6/335
3,759,511	9/1973	Zinklin et al.	272/58
3,861,382	1/1975	Simjian	128/58
4,650,249	3/1987	Serber	297/423.11 X
4,662,361	5/1987	Patterson	128/25 R
4,699,423	10/1987	Fitzig et al.	297/240
4,798,395	1/1989	Shaffer et al.	280/240
4,858,919	8/1989	Jones	272/134
4,943,117	7/1990	Brown	297/392
5,020,795	6/1991	Airy et al.	272/129
5,040,522	8/1991	Daniels	128/25 R
5,110,121	5/1992	Foster	482/137
5,158,074	10/1992	Grellas	128/25 R
5,178,593	1/1993	Roberts	482/62
5,186,519	2/1993	Larson	297/423
5,199,763	4/1993	Wilder et al.	297/338

OTHER PUBLICATIONS

Golden Ratio Oakworks product brochure, 1994, p. 10.
Flyer included in Golden Ratio Oakworks product brochure
(two pages), 1994, entire flyer.
Custon Craftworks proudct brochure, 1994-95, p. 6.
Oakworks product brochure, undated, p. 5.
Oakworks product brochure, undated, p. 5.
Living Earth Crafts product brochure, undated, p. 11.
Living Earth Crafts product brochure, undated, p. 12.
Flyer included in Blue Ridge Tables, Inc. product brochure,
undated, entire flyer.
Stronglite product catalog, 1993-94, last page.
Oakworks advertisement in "Message Therapy Journal",
vol. 33, No. 2, Spring 1994, p. 1.

Primary Examiner—Gary D. Watson
Attorney, Agent, or Firm—Bernhard Kreten

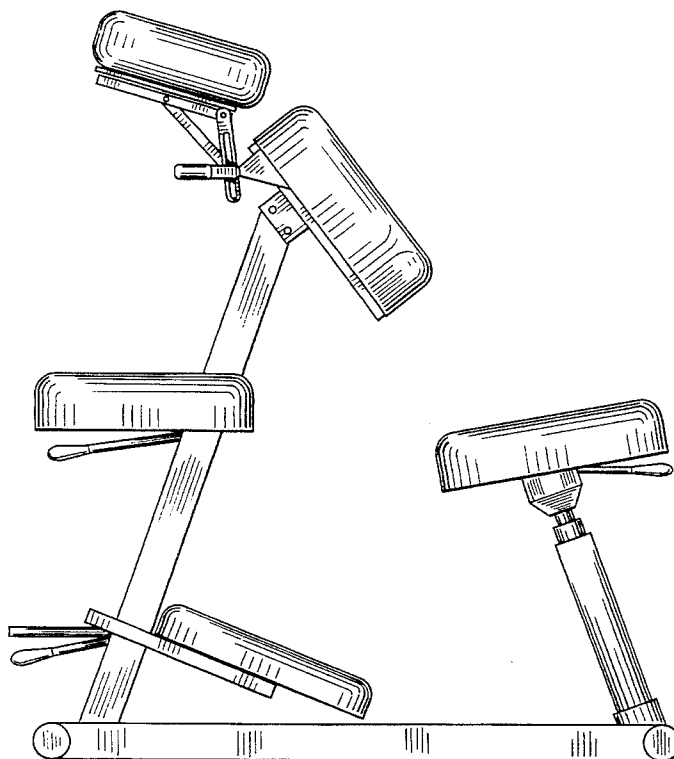
[57] **CLAIM**

The ornamental design for a massage chair, as shown and described.

DESCRIPTION

FIG. 1 is a left side elevational view of a massage chair showing my new design;
FIG. 2 is a rear elevational view thereof;
FIG. 3 is a front elevational view thereof;
FIG. 4 is a right side elevational view thereof;
FIG. 5 is a top plan view thereof; and,
FIG. 6 is a bottom plan view thereof.

1 Claim, 4 Drawing Sheets



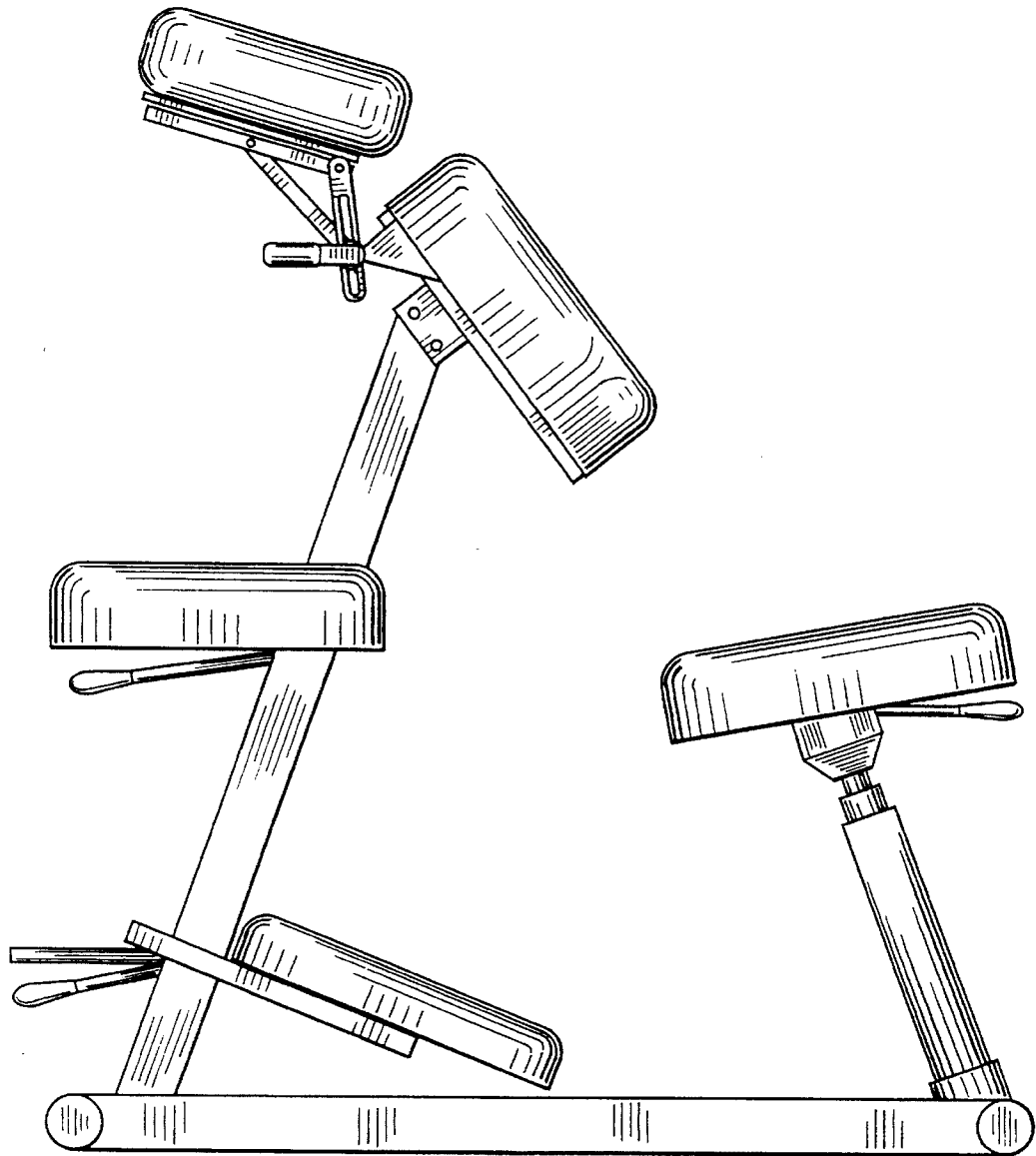


FIG. 1

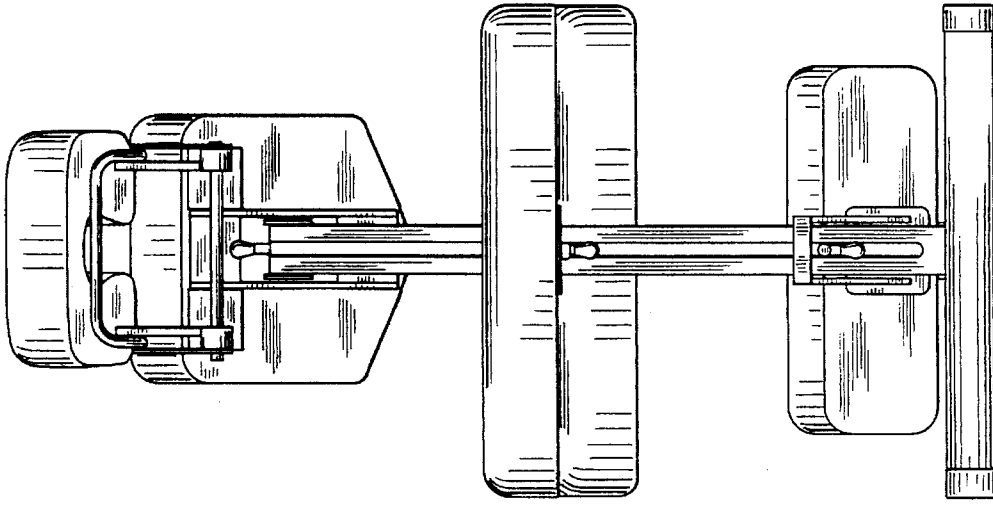


FIG. 3

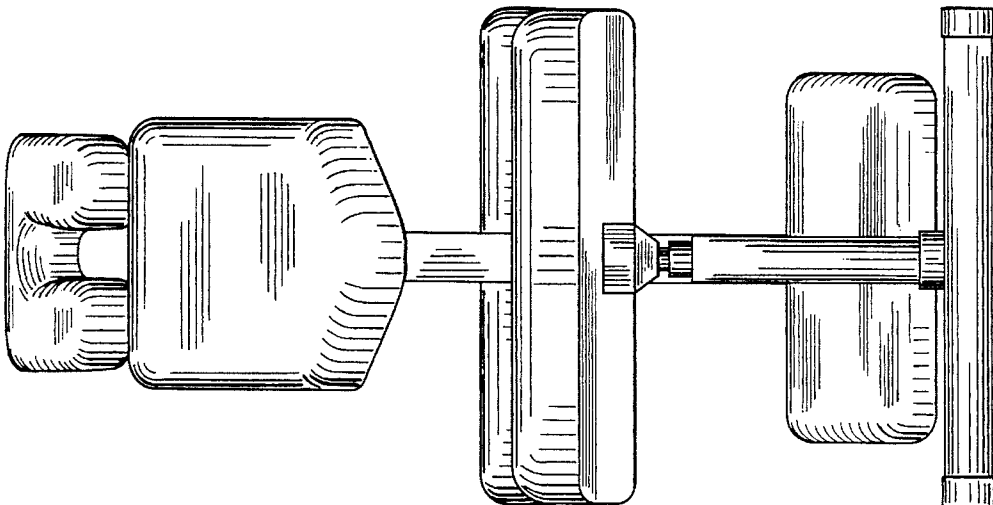


FIG. 2

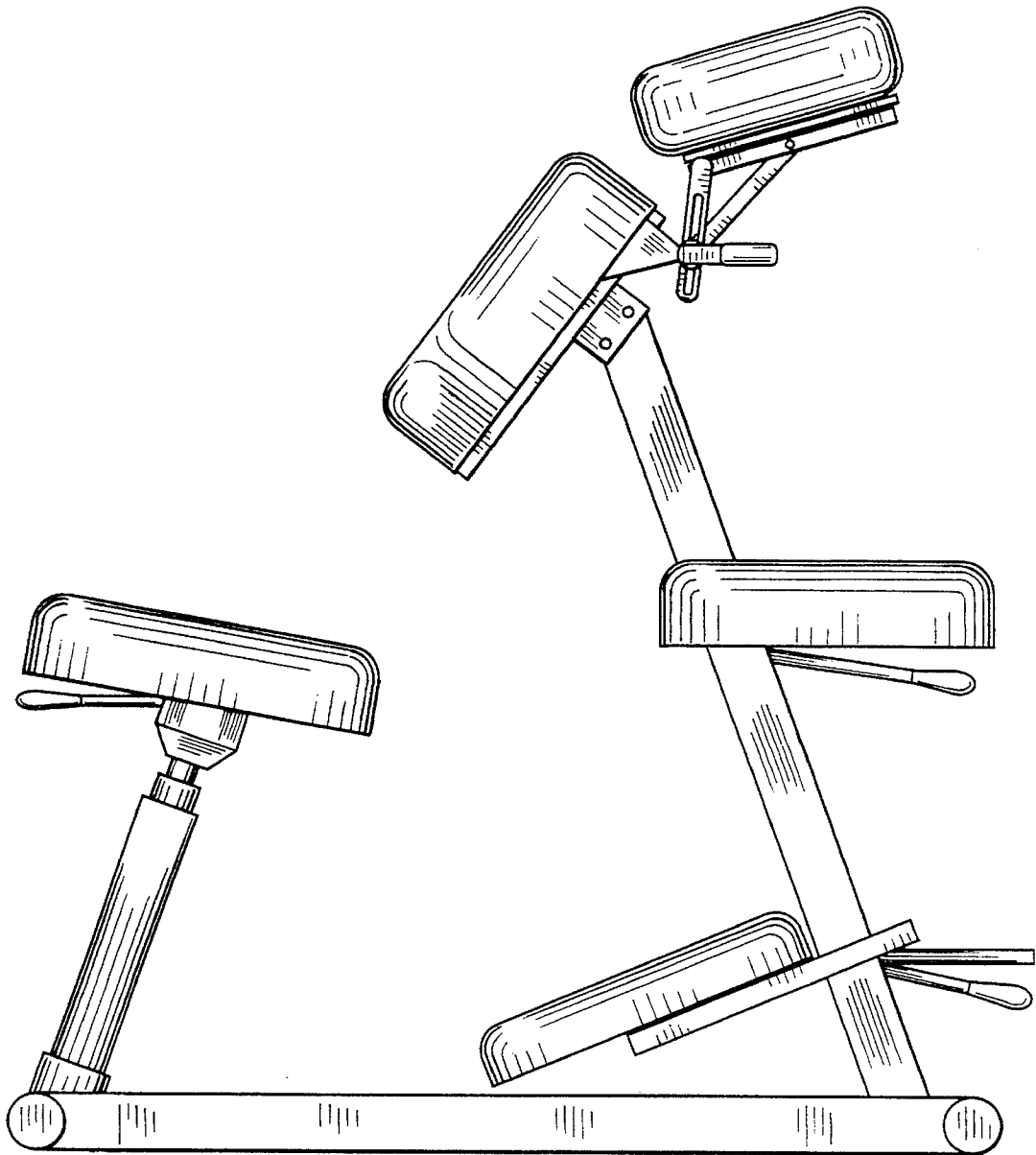


FIG. 4

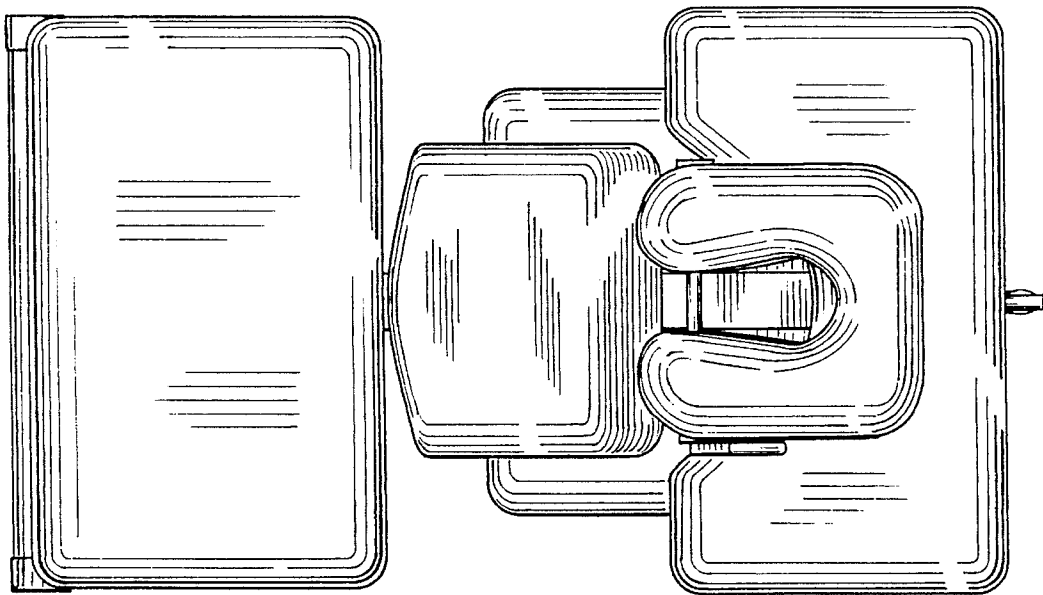


FIG. 5

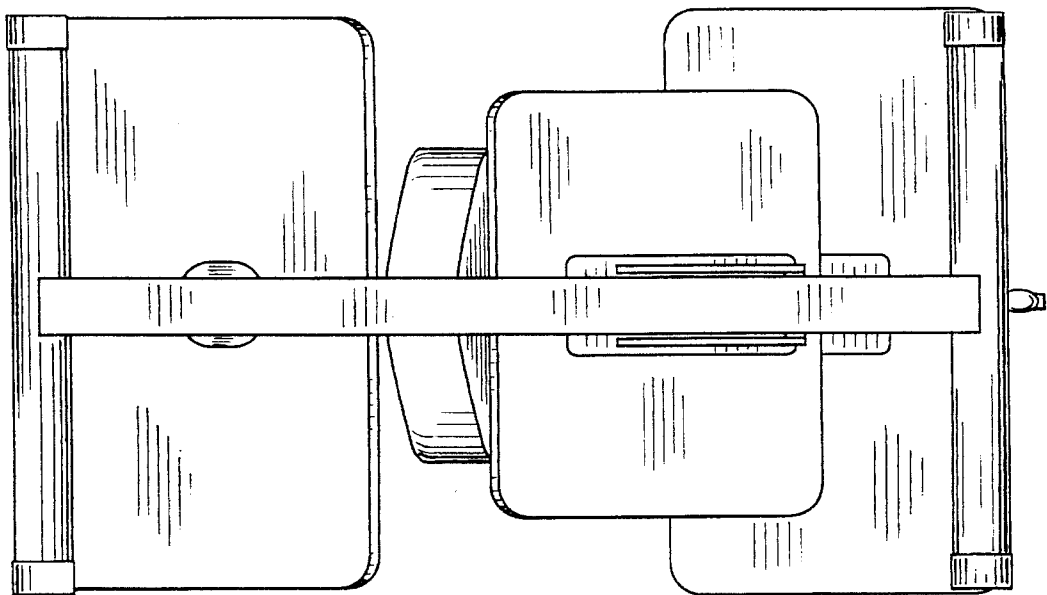


FIG. 6