



US00D739769S

(12) **United States Design Patent**  
**Shamir et al.**

(10) **Patent No.:** **US D739,769 S**

(45) **Date of Patent:** **\*\* Sep. 29, 2015**

(54) **OPENING TOOL FOR SENSOR HOUSING**  
(71) Applicant: **Panoramic Power Ltd.**, Kfar Saba (IL)  
(72) Inventors: **Adi Shamir**, Kidron (IL); **Dan Wijsboom**, Ganei Tikva (IL); **Yael Alali**, Tel Aviv (IL)  
(73) Assignee: **Panoramic Power Ltd.**, Kfar Saba (IL)  
(\*\*) Term: **14 Years**

D489,278 S	5/2004	Rittmann
D496,872 S	10/2004	Edmond
D511,112 S	11/2005	Takada
7,253,602 B2	8/2007	Shvach et al.
7,453,267 B2	11/2008	Westbrock, Jr. et al.
D600,576 S	9/2009	Marcoz
D607,763 S	1/2010	Morel
D656,850 S	4/2012	Marcoz
8,212,549 B2	7/2012	McNulty et al.
8,928,308 B2 *	1/2015	Mitsuya ..... 324/126
2007/0136010 A1	6/2007	Gunn et al.

\* cited by examiner

(21) Appl. No.: **29/519,405**

*Primary Examiner* — Antoine D Davis

(22) Filed: **Mar. 4, 2015**

(74) *Attorney, Agent, or Firm* — Blakely Sokoloff Taylor & Zafman LLP

**Related U.S. Application Data**

(62) Division of application No. 29/464,874, filed on Aug. 21, 2013, now Pat. No. Des. 727,186.  
(51) **LOC (10) Cl.** ..... **10-04**  
(52) **U.S. Cl.**  
USPC ..... **D10/79**  
(58) **Field of Classification Search**  
USPC ..... D10/79; 324/117 H, 117 R  
CPC ..... G01R 15/125; G01R 15/181; G01R 1/07;  
G01R 1/16772; G01R 1/16788  
See application file for complete search history.

(57) **CLAIM**

We claim the ornamental design for an opening tool for a sensor housing, as shown and described.

**DESCRIPTION**

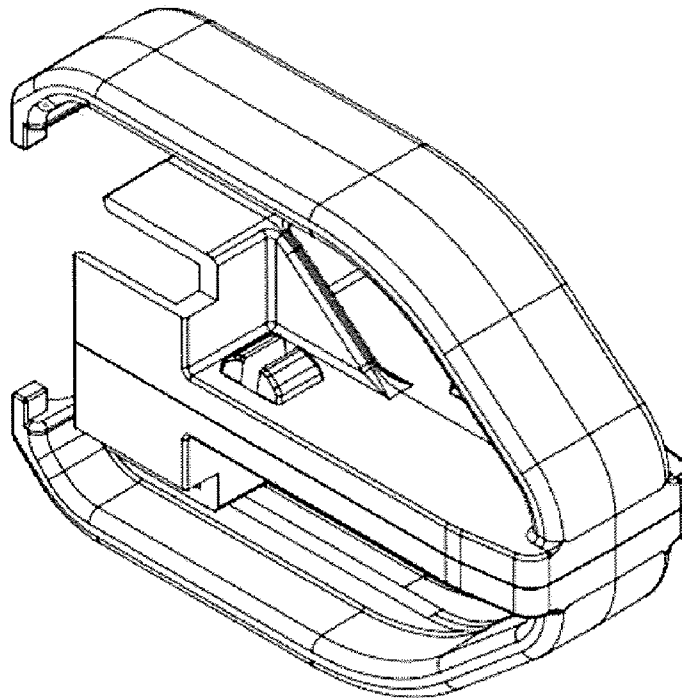
FIG. 1 is a left side isometric elevation rear view of another embodiment of an opening tool assembly showing our new design.  
FIG. 2 is a left side isometric elevation front view of FIG. 1.  
FIG. 3 is a left side elevation view of FIG. 1.  
FIG. 4 is a right side elevation view of FIG. 1.  
FIG. 5 is a top side elevation view of FIG. 1.  
FIG. 6 is a bottom side elevation view of FIG. 1.  
FIG. 7 is a rear elevation view of FIG. 1; and,  
FIG. 8 is a front elevation view of FIG. 1.

(56) **References Cited**

**U.S. PATENT DOCUMENTS**

D309,893 S 8/1990 Endo et al.  
D311,381 S 10/1990 Endo et al.

**1 Claim, 4 Drawing Sheets**



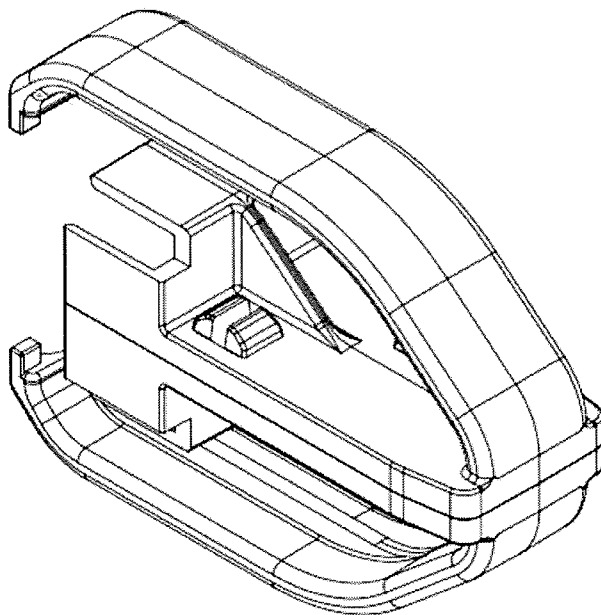


FIGURE 1

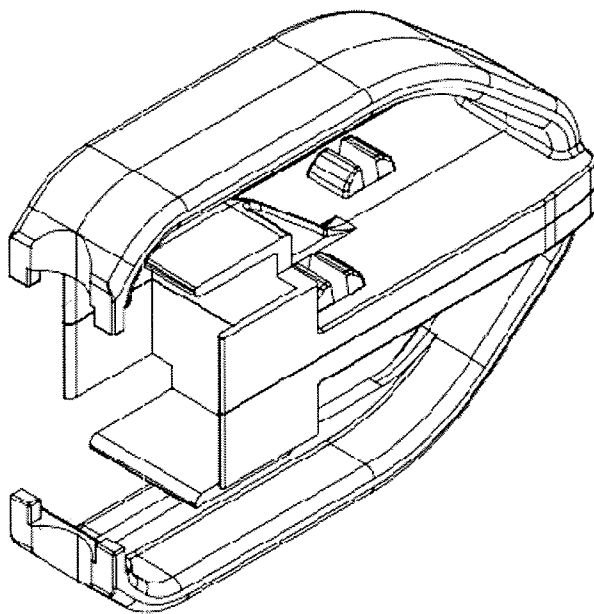


FIGURE 2

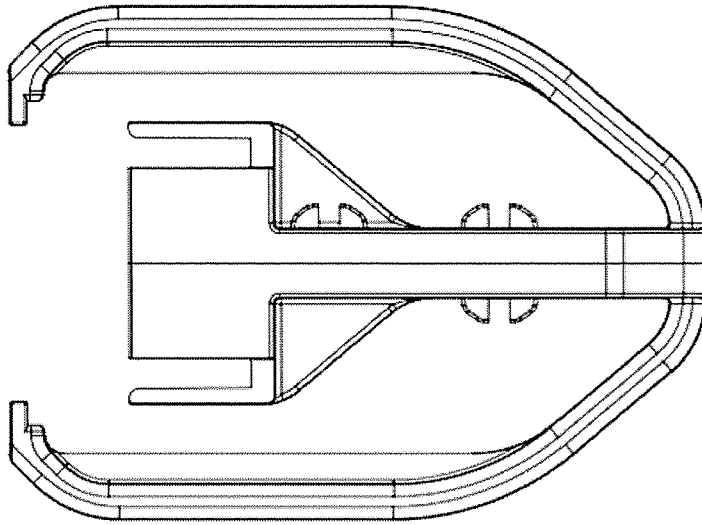


FIGURE 3

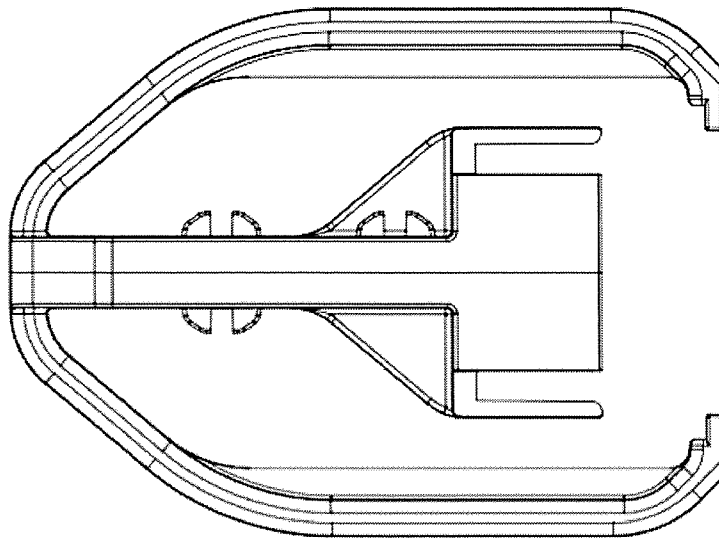


FIGURE 4

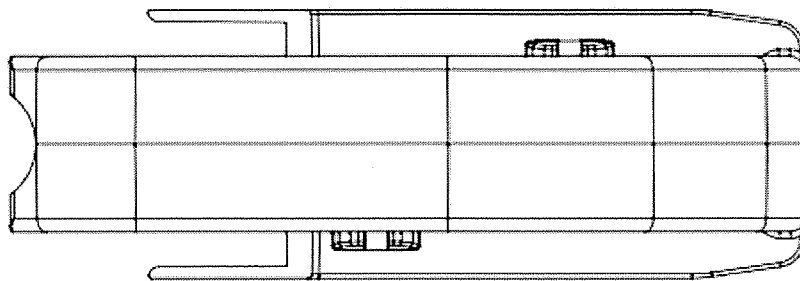


FIGURE 5

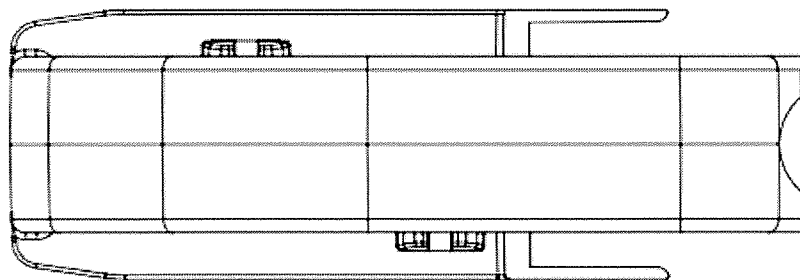


FIGURE 6

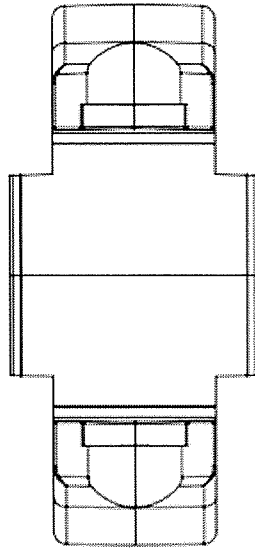


FIGURE 7

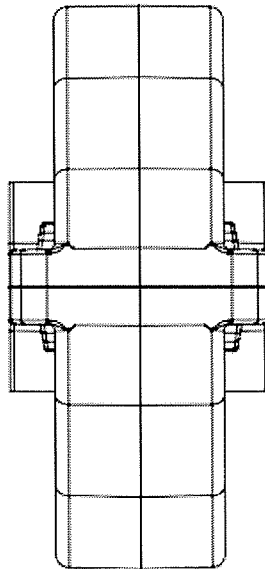


FIGURE 8