



US00D736053S

(12) **United States Design Patent**
Zhang

(10) **Patent No.:** **US D736,053 S**

(45) **Date of Patent:** **** Aug. 11, 2015**

- (54) **BIT**
- (71) Applicant: **CHERVON (HK) LIMITED**, Wanchai (HK)
- (72) Inventor: **Xiaofeng Zhang**, Nanjing (CN)
- (73) Assignee: **Chervon (HK) Limited**, Hong Kong (HK)
- (**) Term: **14 Years**
- (21) Appl. No.: **29/485,677**
- (22) Filed: **Mar. 21, 2014**

D493,081 S *	7/2004	Chen	D8/29
6,761,361 B2 *	7/2004	Taylor et al.	279/75
D589,319 S *	3/2009	Peters	D8/70
D609,073 S *	2/2010	Lin	D8/70
7,913,592 B2 *	3/2011	Hu	81/438
8,479,616 B2 *	7/2013	Tsai	81/125
8,695,461 B2 *	4/2014	Moss et al.	81/125
8,857,300 B2 *	10/2014	Lai	81/438
8,864,143 B2 *	10/2014	Lin	279/23.1
8,864,144 B2 *	10/2014	Hsu	279/50
8,876,120 B2 *	11/2014	Chen	279/30
2011/0036212 A1 *	2/2011	Santamarina et al.	81/436
2013/0068073 A1 *	3/2013	Steele et al.	81/177.2
2014/0360319 A1 *	12/2014	Huang	81/177.2
2015/0013508 A1 *	1/2015	Zhang	81/436
2015/0037111 A1 *	2/2015	Chang	408/202

* cited by examiner

- (30) **Foreign Application Priority Data**
- Sep. 27, 2013 (CN) 2013 3 0461170

- (51) **LOC (10) Cl.** **08-04**
- (52) **U.S. Cl.**
- USPC **D8/86**

- (58) **Field of Classification Search**
- USPC D8/70, 82-87, 105; D15/139; 81/125, 81/177.1-177.7, 436, 438, 460-461
- CPC B23B 2251/66; B23P 15/00; B25B 13/06; B25B 13/5091; B25B 15/00; B25B 15/001; B25B 15/002; B25B 15/004; B25B 15/005; B25B 15/008; B25B 15/02; B25B 15/04; B25B 17/00; B25B 21/007; B25B 23/00; B25B 23/0035; B25B 23/005; B25B 23/12; B25B 23/1405; B25B 27/18; B25B 31/12; B25B 51/08; B25B 51/108
- See application file for complete search history.

- (56) **References Cited**
- U.S. PATENT DOCUMENTS
- D379,578 S * 6/1997 Daniels D8/70
- D415,180 S * 10/1999 Rosanwo D15/140

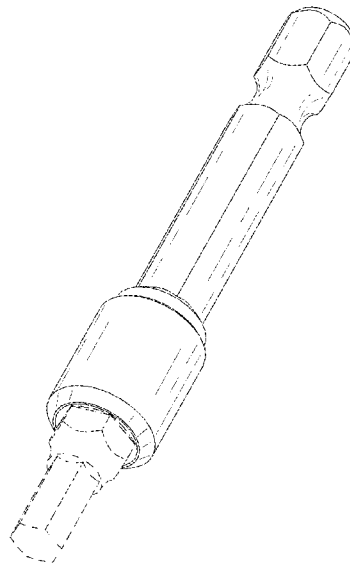
Primary Examiner — Philip S Hyder
Assistant Examiner — Roselynn Cody
 (74) *Attorney, Agent, or Firm* — Greenberg Traurig, LLP

(57) **CLAIM**
 What is claimed is the ornamental design for a bit, as shown and described.

DESCRIPTION

FIG. 1 is a left side elevational view of a bit showing my new design, the right side elevational view being the same; FIG. 2 is a front side elevational view thereof, the back side elevational view being the same; FIG. 3 is a top plan view thereof; FIG. 4 is a bottom plan view thereof; and, FIG. 5 is a perspective view thereof. Any elements shown in dotted and/or dashed lines are provided for illustrative purposes only and form no part of the design claimed. Any surface shading is used solely to show the character or contour of the surfaces represented.

1 Claim, 4 Drawing Sheets



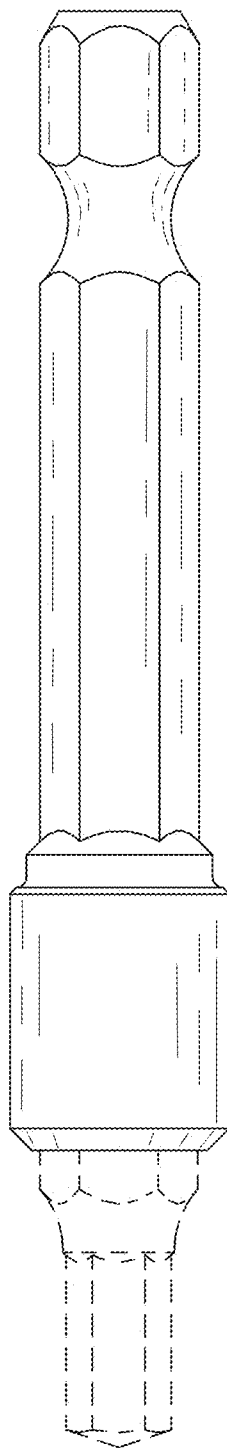


Fig. 1

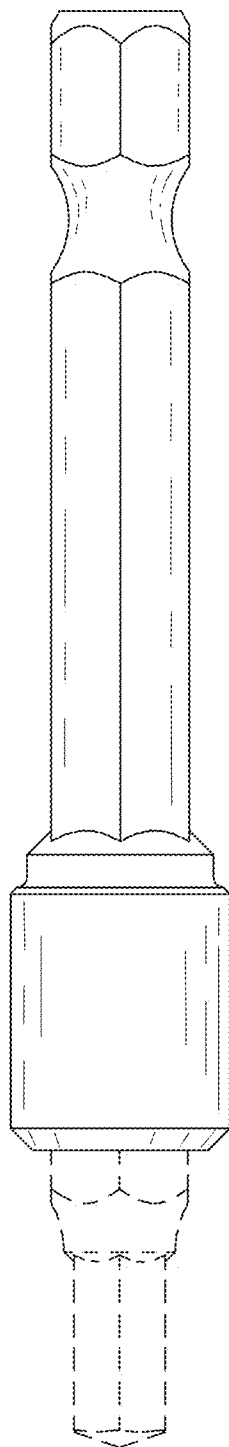


Fig. 2

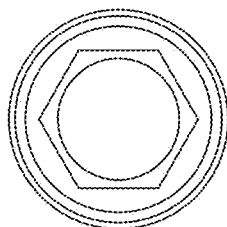


Fig. 3

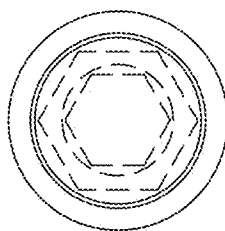


Fig. 4

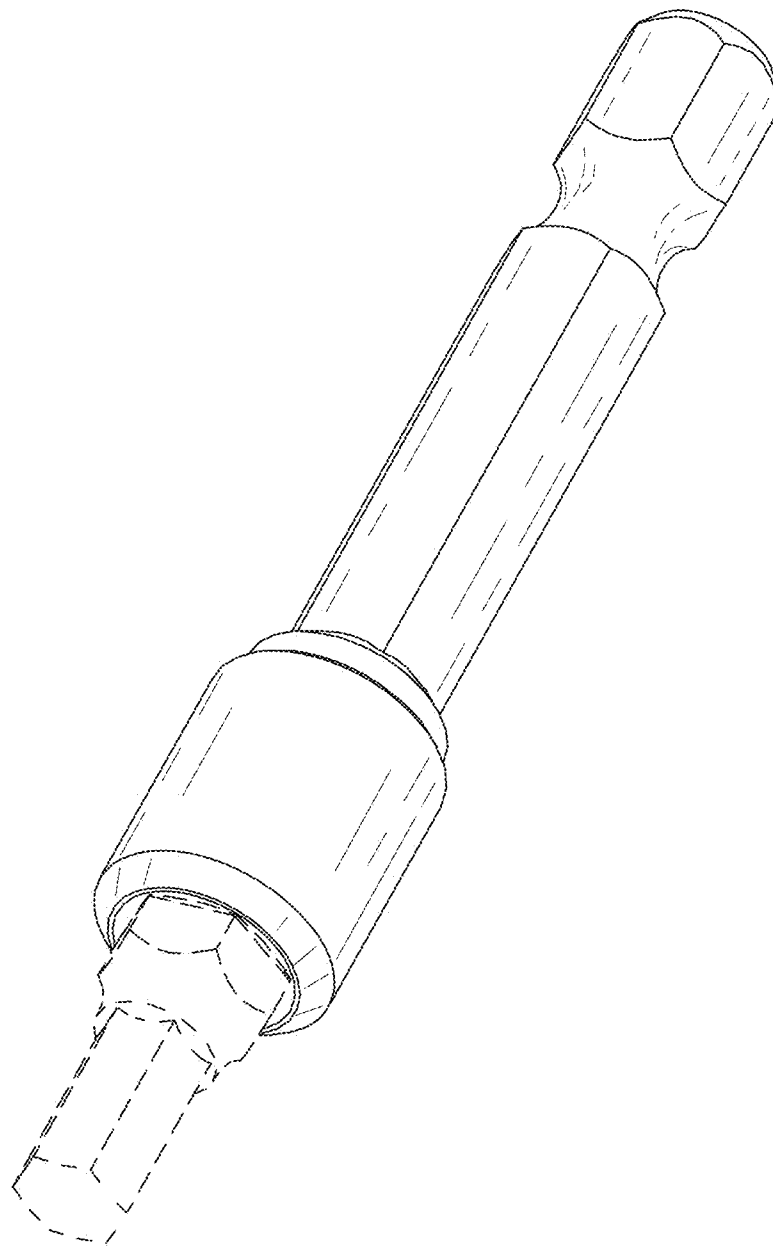


Fig. 5