



US00D866830S

(12) **United States Design Patent**
Pan et al.

(10) **Patent No.:** **US D866,830 S**
(45) **Date of Patent:** **** Nov. 12, 2019**

(54) **FLASHLIGHT**

(71) Applicant: **Ningbo Mayflower Optoelectronics Co., Ltd., Ningbo (CN)**

(72) Inventors: **Jian-Guang Pan, Ningbo (CN); Stefan Feustel, Ningbo (CN)**

(73) Assignee: **Ningbo Mayflower Optoelectronics Co., Ltd., Ningbo, Zhejiang (CN)**

(**) Term: **15 Years**

(21) Appl. No.: **29/579,537**

(22) Filed: **Sep. 30, 2016**

(30) **Foreign Application Priority Data**

Aug. 10, 2016 (CN) 2016 3 0395087

(51) **LOC (12) Cl.** **26-02**

(52) **U.S. Cl.**
USPC **D26/49**

(58) **Field of Classification Search**
USPC D26/37, 46, 38, 49, 51; D22/108, 117;
D16/132
CPC F21L 2003/00; F21L 4/00; F21L 4/005;
F21L 4/02; F21L 4/025; F21L 4/027;
F21L 4/04; F21L 4/08; F21L 2005/00;
F21L 7/00; F21L 11/00; F21L 13/00;
F21L 13/04; F21L 13/08; F21L 14/02;
F21L 17/00; F21L 19/00
See application file for complete search history.

(56) **References Cited**

U.S. PATENT DOCUMENTS

D307,488 S * 4/1990 Sharrah D26/49
D486,936 S * 2/2004 Shiu D26/49
D532,543 S * 11/2006 Julius D26/49
D576,757 S * 9/2008 Hesse D26/49

D601,287 S * 9/2009 Caniparoli D26/49
D629,544 S * 12/2010 Deguglimo D26/49
D743,599 S * 11/2015 Robinson D26/49
D743,601 S * 11/2015 Maglica D26/49
D747,024 S * 1/2016 Windom D26/49
D750,306 S * 2/2016 Windom D26/49
2004/0012952 A1* 1/2004 Maglica F21L 4/005
362/157
2006/0193128 A1* 8/2006 West F21L 4/00
362/205

OTHER PUBLICATIONS

A 01 flashlight,[online],[site visited Jun. 14, 2019]. Available from internet, <<https://red-dot-21.com/p/design-products/lighting/torches/a-01/>>, 1 page. No publication date available.*

* cited by examiner

Primary Examiner — Lakiya G Rogers

Assistant Examiner — Carissa C Fitts

(74) *Attorney, Agent, or Firm* — Raymond Y. Chan;
David and Raymond Patent Firm

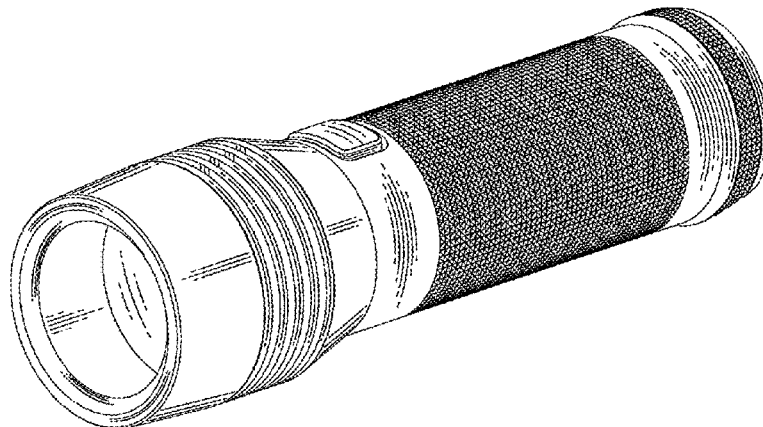
(57) **CLAIM**

The ornamental design for a flashlight, as shown and described.

DESCRIPTION

FIG. 1 is a perspective view of the flashlight of our new design;
FIG. 2 is a front elevation view thereof;
FIG. 3 is a rear elevation view thereof;
FIG. 4 is a left side elevation view thereof;
FIG. 5 is a right side elevation view thereof;
FIG. 6 is a top plan view thereof; and,
FIG. 7 is a bottom plan view thereof.
The broken lines show portions of the flashlight which form no part of the claimed design.

1 Claim, 7 Drawing Sheets



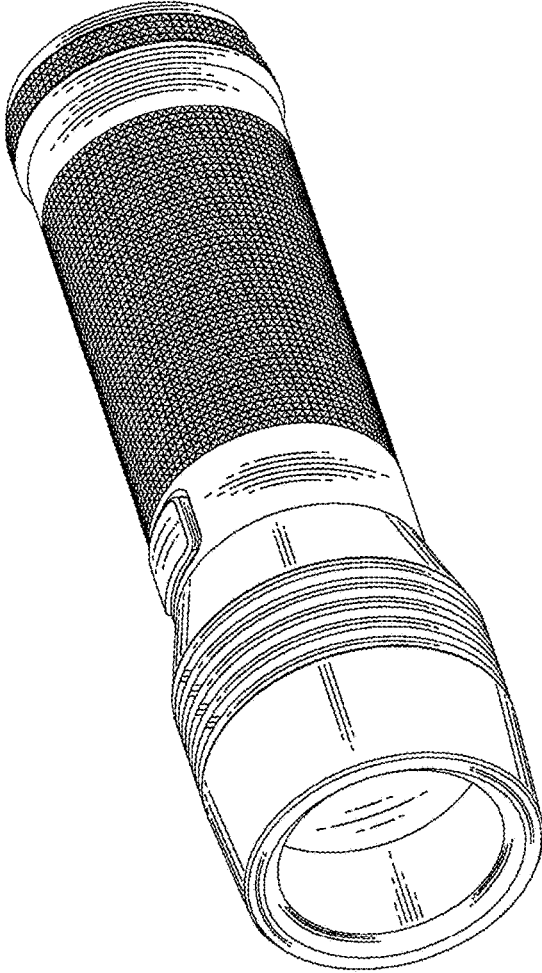


Fig. 1

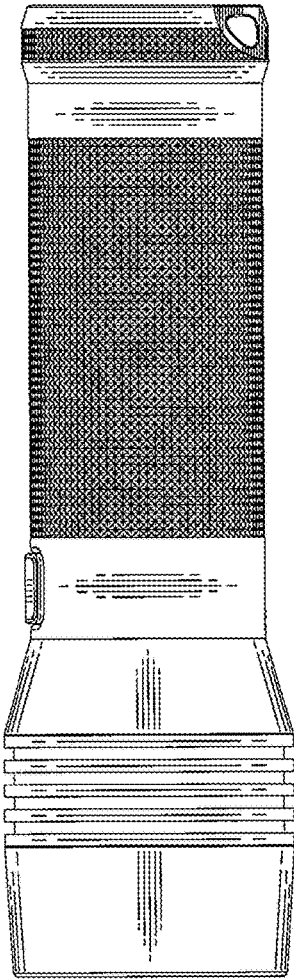


Fig. 2

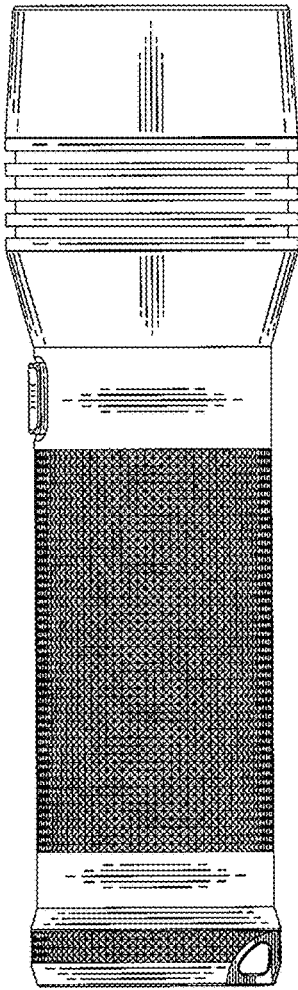


Fig. 3

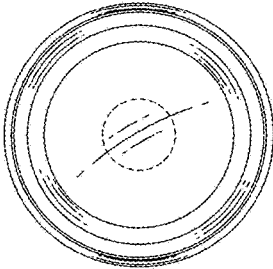


FIG.4



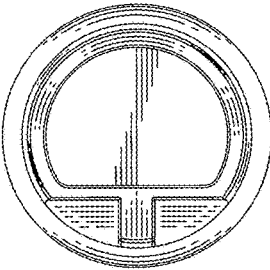


FIG.5

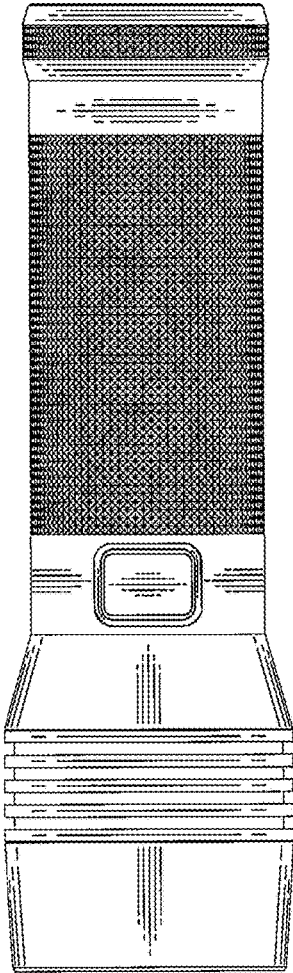


Fig. 6

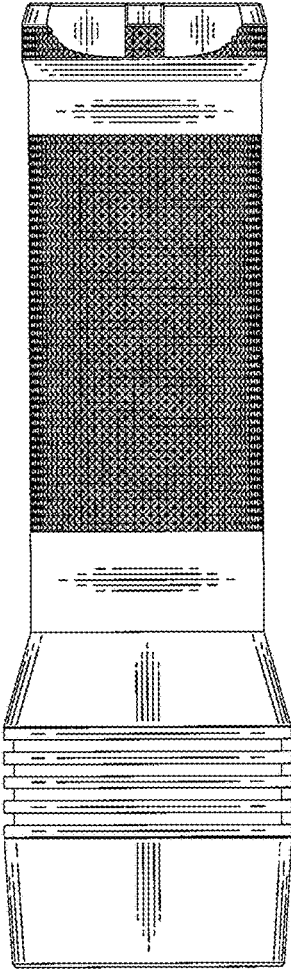


Fig. 7