



(12) **United States Design Patent**
Zhang

(10) **Patent No.:** **US D1,050,005 S**
(45) **Date of Patent:** **** Nov. 5, 2024**

(54) **RING TYRE**

(71) Applicant: **Zhao Zhang**, Foshan (CN)

(72) Inventor: **Zhao Zhang**, Foshan (CN)

(**) Term: **15 Years**

(21) Appl. No.: **29/888,129**

(22) Filed: **Mar. 28, 2023**

(51) **LOC (14) Cl.** **21-01**

(52) **U.S. Cl.**
USPC **D21/455**; D11/26

(58) **Field of Classification Search**
USPC D12/533-567, 604, 900, 901; D11/26;
D21/455
CPC Y10T 152/10027; B60C 1/0016; B60C
11/0306; B60C 11/0302; B60C 3/06
See application file for complete search history.

(56) **References Cited**

U.S. PATENT DOCUMENTS

D287,957 S *	1/1987	Hayakawa	D12/535
D288,915 S *	3/1987	Kadomaru	D12/536
D409,536 S *	5/1999	Haas	D12/535
D512,680 S *	12/2005	Dias	D12/544
D523,189 S *	6/2006	Wisdom	D30/160
D755,712 S *	5/2016	Harris	D12/535
D834,501 S *	11/2018	Harris	D12/535
D868,176 S *	11/2019	Sprowl	D12/500
D879,648 S *	3/2020	El Karout	D11/26
D884,585 S *	5/2020	Schiavolin	D12/535
D885,313 S *	5/2020	Lejeune	D12/535
D888,350 S *	6/2020	Wolfe, Jr.	D30/160
D894,100 S *	8/2020	Kuhlmann	D12/535
D929,673 S *	8/2021	Steinkraus	D30/160
D1,011,267 S *	1/2024	Geng	D12/544
D1,015,259 S *	2/2024	Patel	D12/534
D1,017,449 S *	3/2024	Friedman	D11/26

D1,025,815 S *	5/2024	Latomaki et al.	D11/26
D1,027,059 S *	5/2024	Kahn	D21/468
2022/0118800 A1 *	4/2022	Keefe	B60C 11/0306

OTHER PUBLICATIONS

Xebular Spinner Ring (First available Amazon date—[Dec. 27, 2023] found online [Aug. 18, 2024]—<https://www.amazon.de/Xebular-Fidget-Spinner-Ring-Doppelfunktions-Fidget-Ring-Motorradreifen-Angstlinderungs-Ringspielzeug/dp/B0CR13T7B5>.*
Motorcycle Wheel Fidget Spinner—[Aug. 18, 2024] found online [Aug. 15, 2024]—https://motoloot.com/products/motorcycle-wheel-fidget-spinner?variant=42693591171263&utm_medium=cpc&cur=USD&gad_source=1&gclid=EAlaQobChMI18TM0ZBhwMVSTIIBR3RegXPEAQYBiABEgIF9_D_BwE.*

* cited by examiner

Primary Examiner — John A Voytek
(74) *Attorney, Agent, or Firm* — Daniel M. Cohn;
Howard M. Cohn

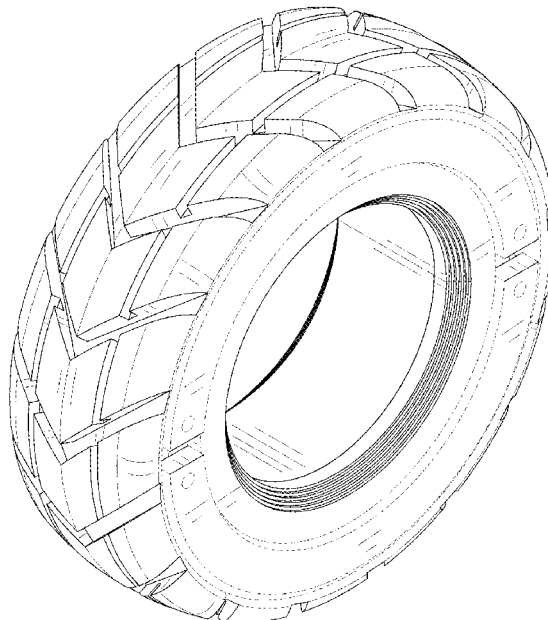
(57) **CLAIM**

The ornamental design for ring tyre as shown and described.

DESCRIPTION

FIG. 1 is a perspective view of ring tyre showing my new design;
FIG. 2 is another perspective view thereof;
FIG. 3 is a front elevational view thereof;
FIG. 4 is a rear elevational view thereof;
FIG. 5 is a left side elevational view thereof;
FIG. 6 is a right side elevational view thereof;
FIG. 7 is a top plan view thereof; and,
FIG. 8 is a bottom plan view thereof.

1 Claim, 8 Drawing Sheets



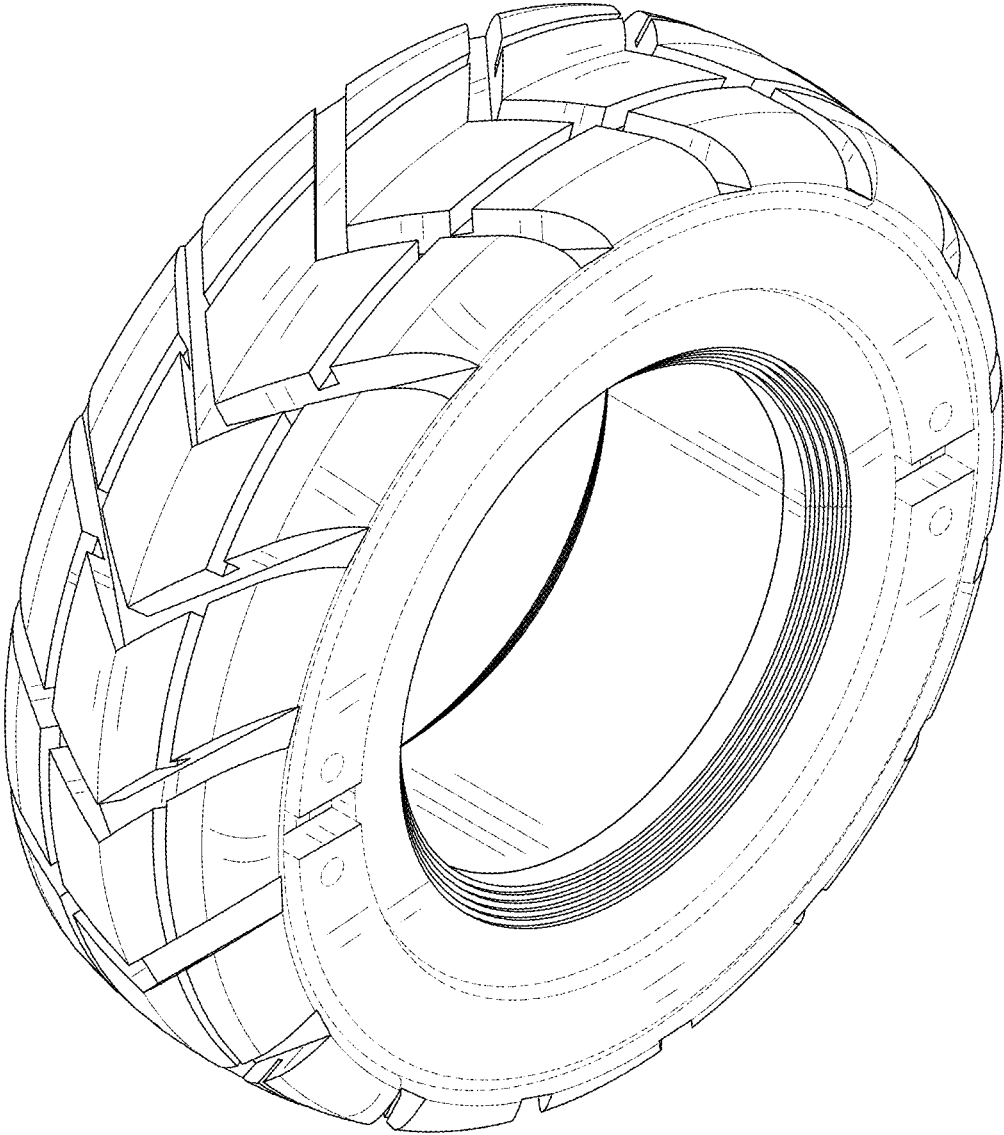


FIG. 1

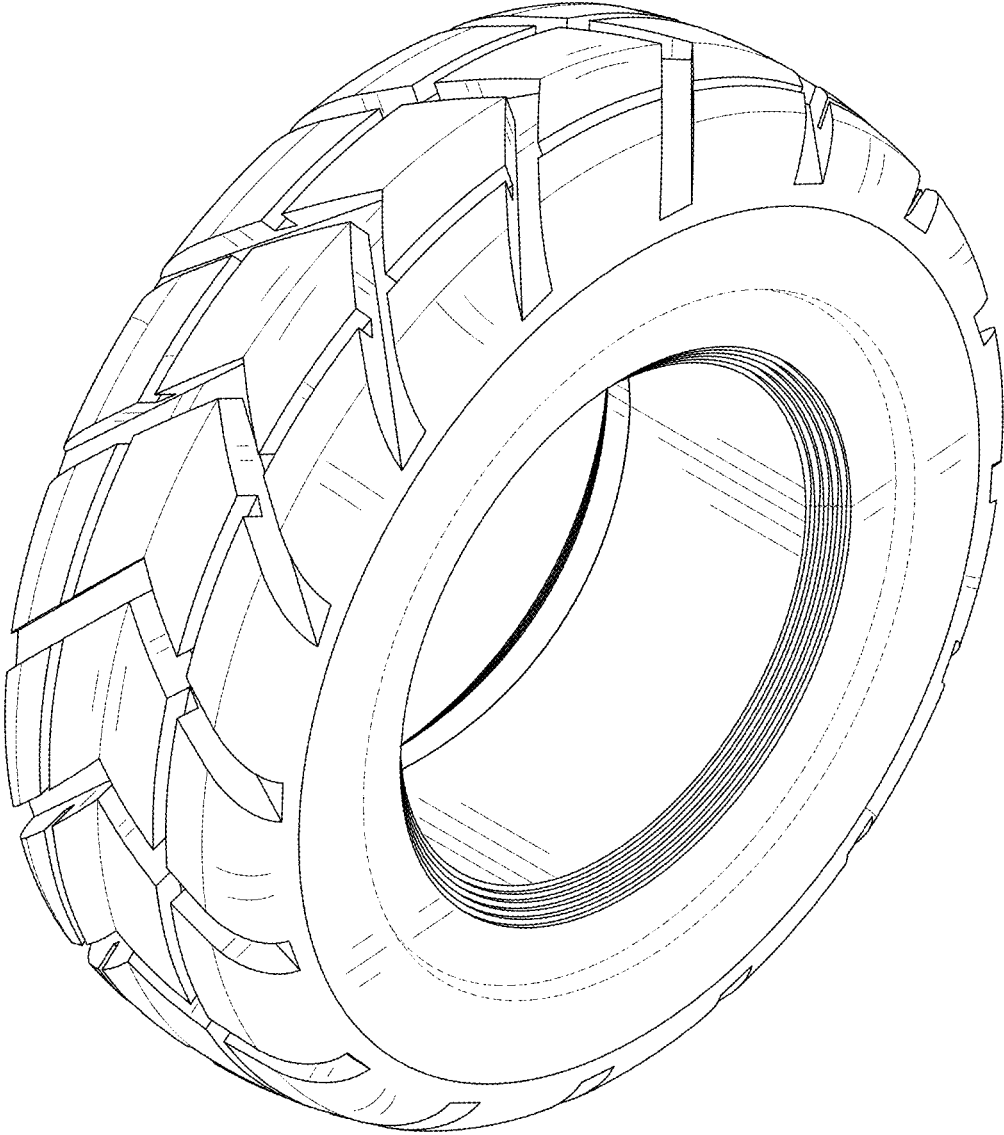


FIG. 2

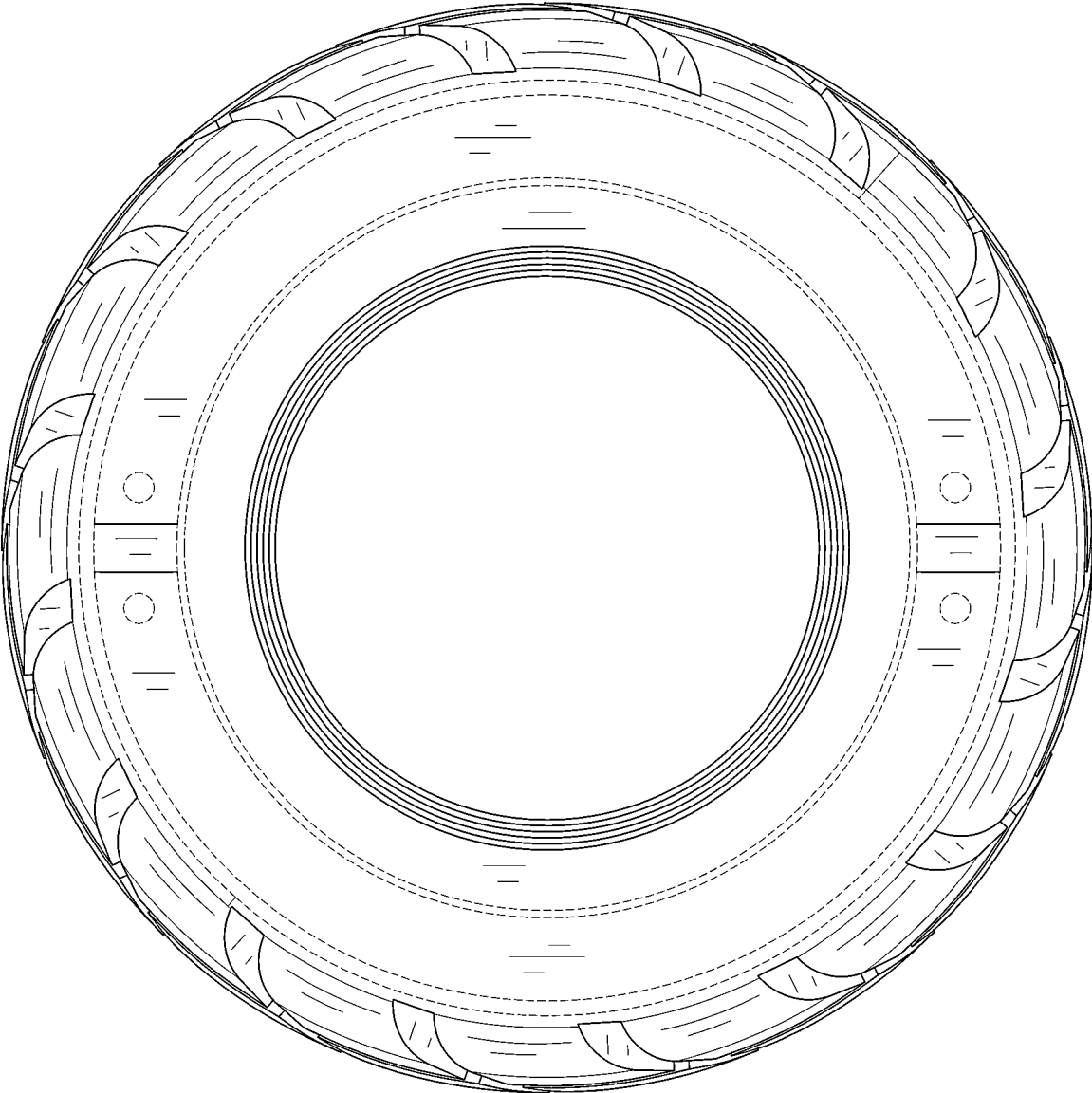


FIG. 3

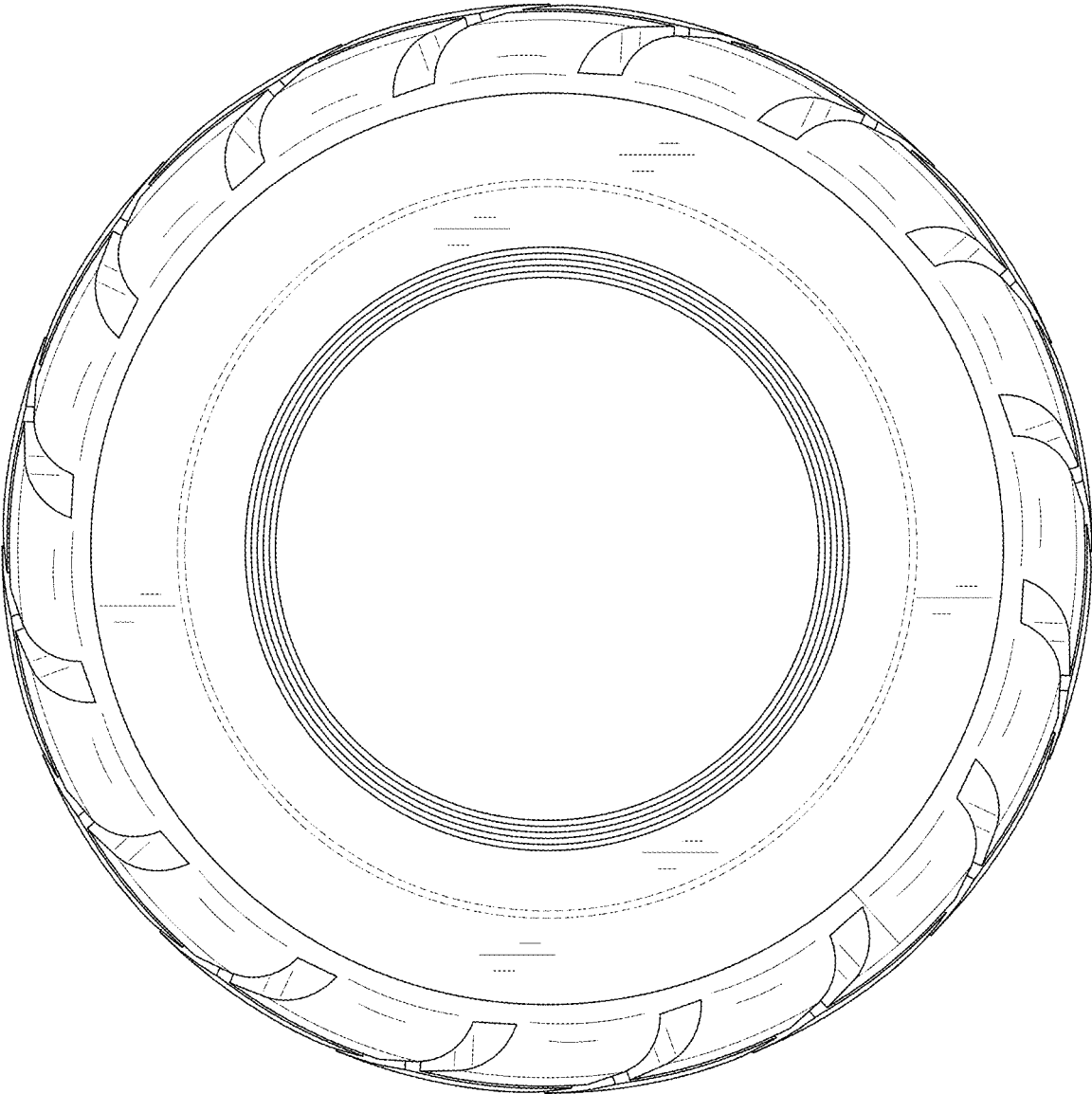


FIG. 4

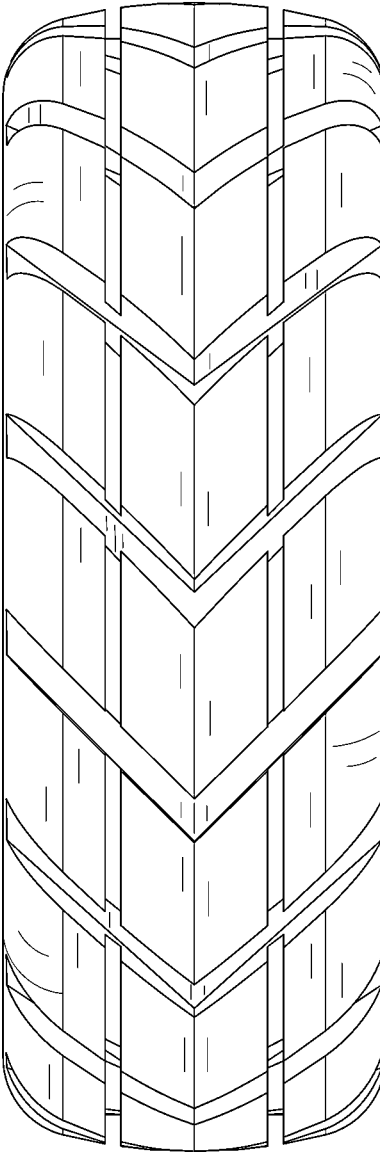


FIG. 5

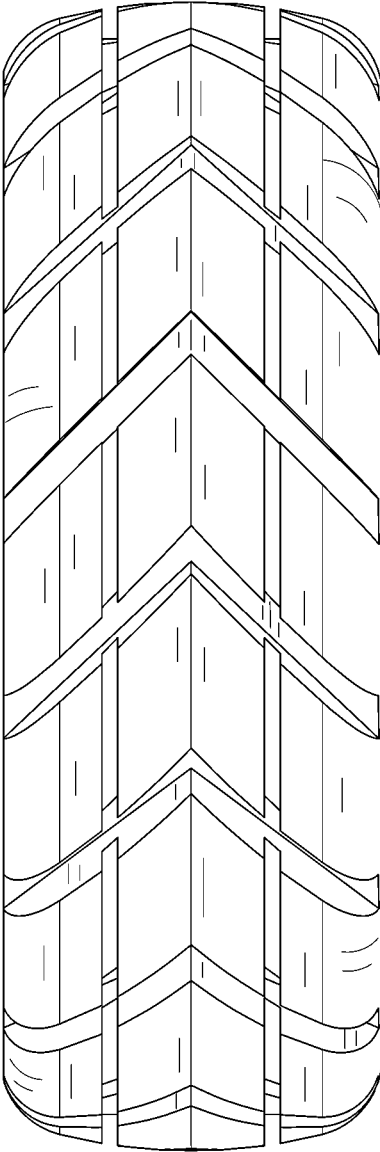


FIG. 6

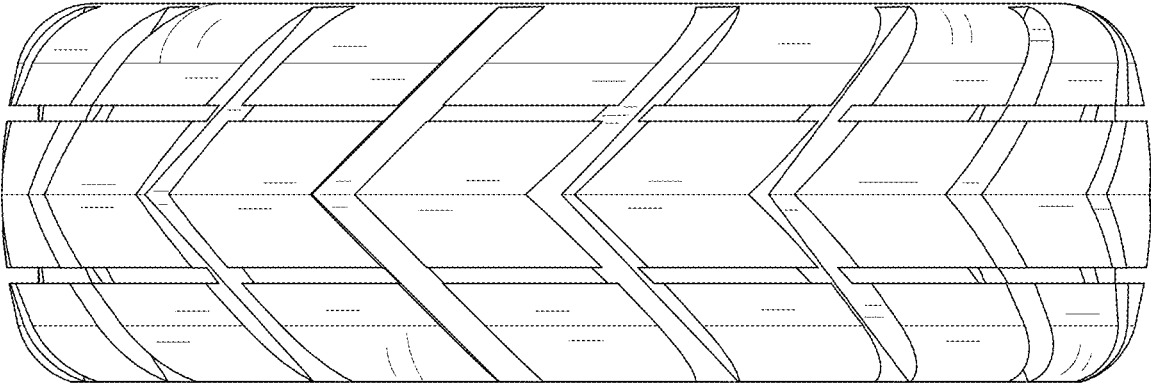


FIG. 7

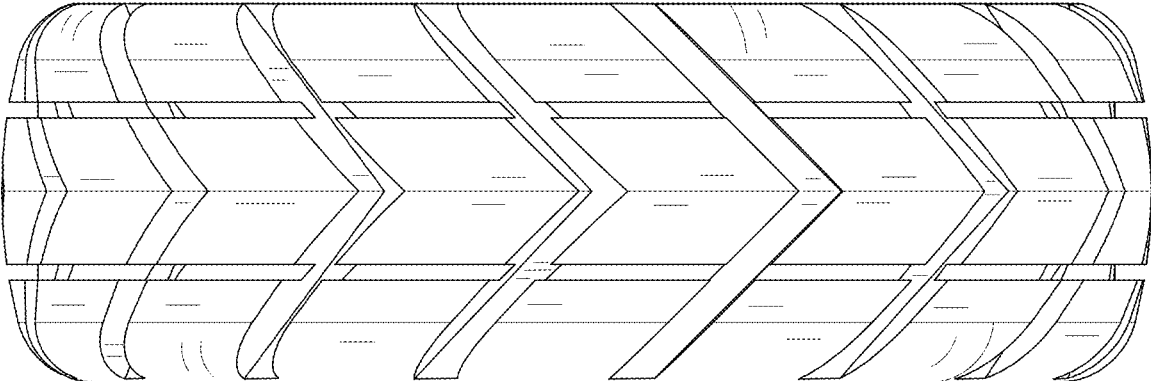


FIG. 8