



US00D524544S

(12) **United States Design Patent**  
**Crook**

(10) **Patent No.:** **US D524,544 S**

(45) **Date of Patent:** **\*\* Jul. 11, 2006**

(54) **PURSE ORGANIZER**

(76) Inventor: **Anita I. Crook**, 124 Ramsford La.,  
Simpsonville, SC (US) 29681

(\*\*) Term: **14 Years**

(21) Appl. No.: **29/234,386**

(22) Filed: **Jul. 18, 2005**

(51) **LOC (8) Cl.** ..... **03-01**

(52) **U.S. Cl.** ..... **D3/319**

(58) **Field of Classification Search** ..... D3/201,  
D3/205, 230, 231, 232, 233, 234, 238, 239,  
D3/240, 241, 242, 243, 244, 245, 246, 247,  
D3/251, 273, 288, 290, 294, 226, 227, 900,  
D3/901, 318, 319; 150/106, 107, 108, 110,  
150/111, 112, 114, 117, 118, 119, 120; 190/16,  
190/109, 112, 115, 900, 901, 902, 903; 224/277  
See application file for complete search history.

(56) **References Cited**

**U.S. PATENT DOCUMENTS**

D167,586 S \* 8/1952 Pichel ..... D3/244  
D252,596 S \* 8/1979 Adler et al. .... D3/319  
4,263,951 A \* 4/1981 Siegel ..... D3/319  
D294,196 S \* 2/1988 Bialo ..... D3/319

D354,399 S \* 1/1995 Georges ..... D3/319  
D403,151 S \* 12/1998 Heredos-Formby ..... D3/232

\* cited by examiner

*Primary Examiner*—Louis S. Zarfaz

*Assistant Examiner*—Monica A. Weingart

(74) *Attorney, Agent, or Firm*—J. Bennett Mulinax, LLC

(57) **CLAIM**

The ornamental design for a purse organizer, as shown and described.

**DESCRIPTION**

FIG. 1 is a rear perspective view of a purse organizer showing my new design;

FIG. 2 is top perspective view thereof;

FIG. 3 is front elevational view thereof;

FIG. 4 is a right side elevational view thereof;

FIG. 5 is a rear elevational view thereof;

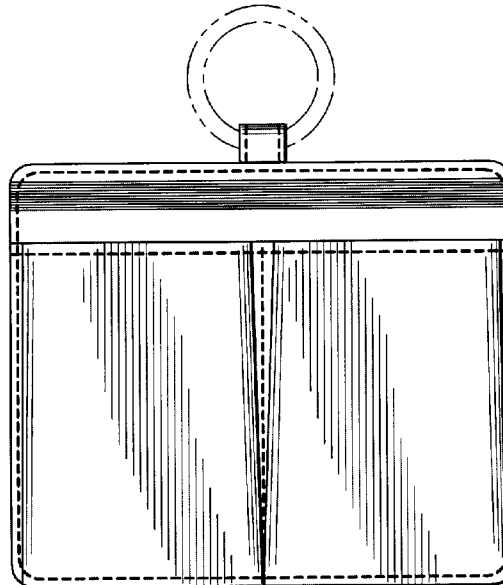
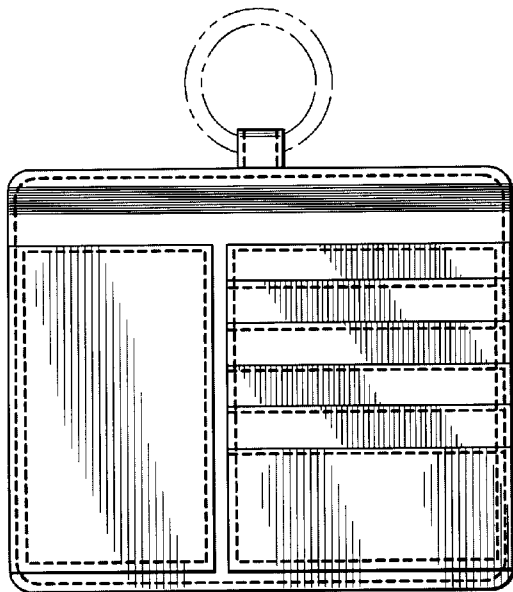
FIG. 6 is a left side elevational view thereof;

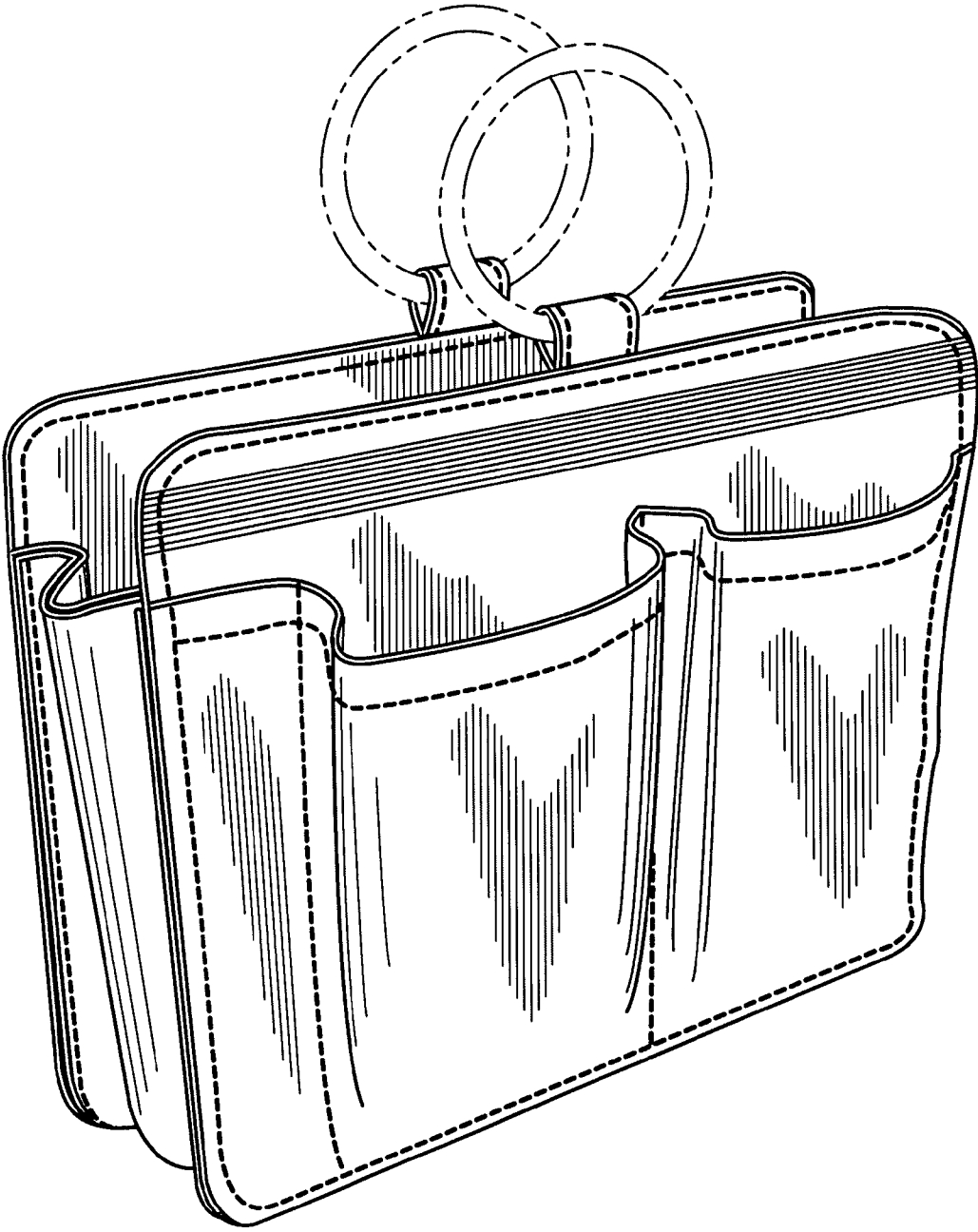
FIG. 7 is a top plan view thereof; and,

FIG. 8 is a bottom plan view thereof.

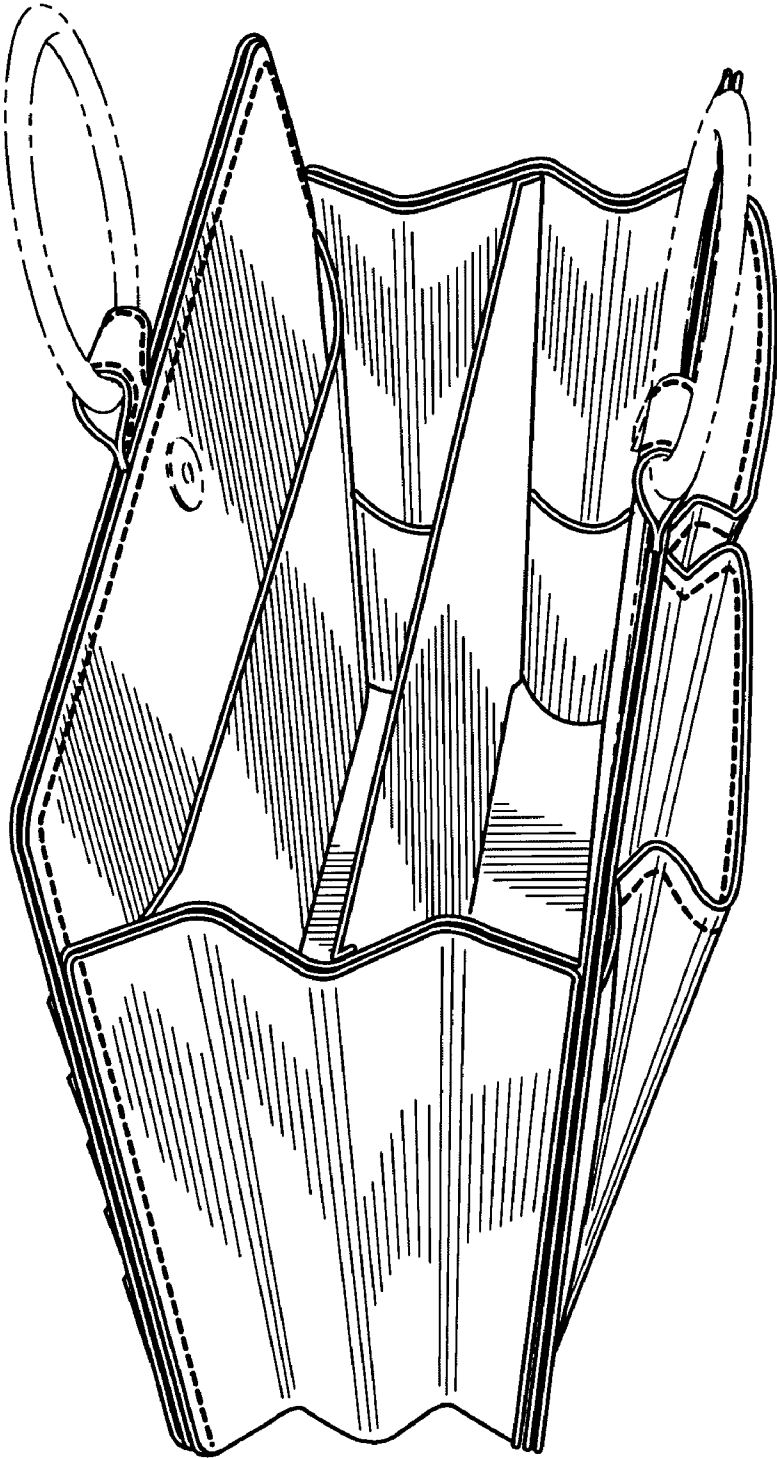
The broken line showing of the handles, in FIGS. 1–8, is for illustrative purposes only and forms no part of the claimed design.

**1 Claim, 5 Drawing Sheets**

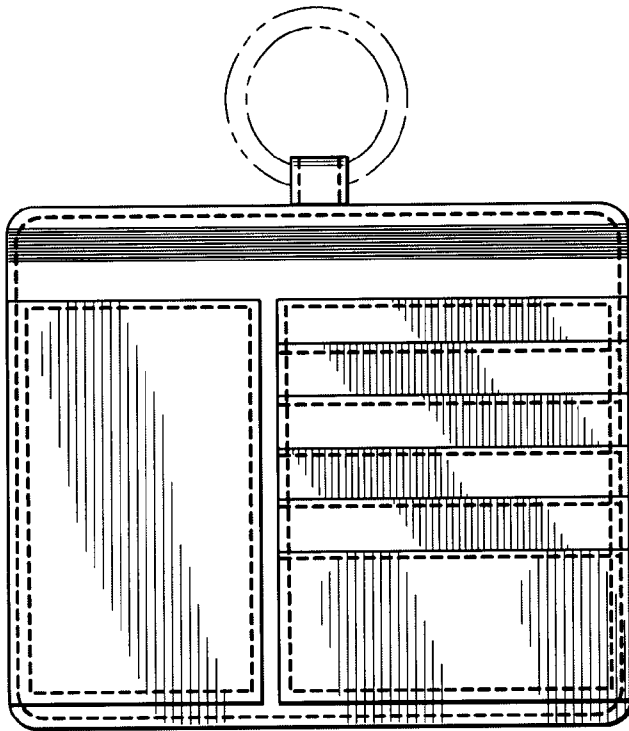




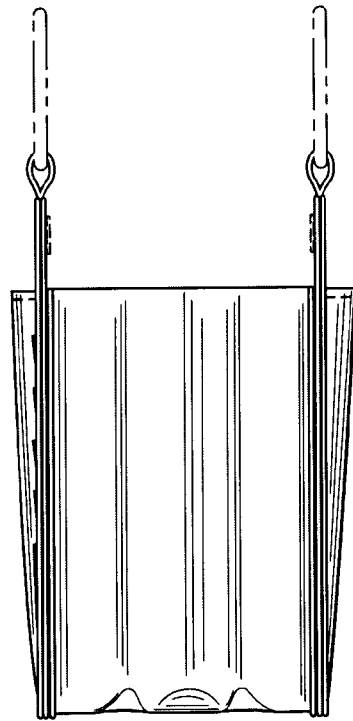
*Fig. 1*



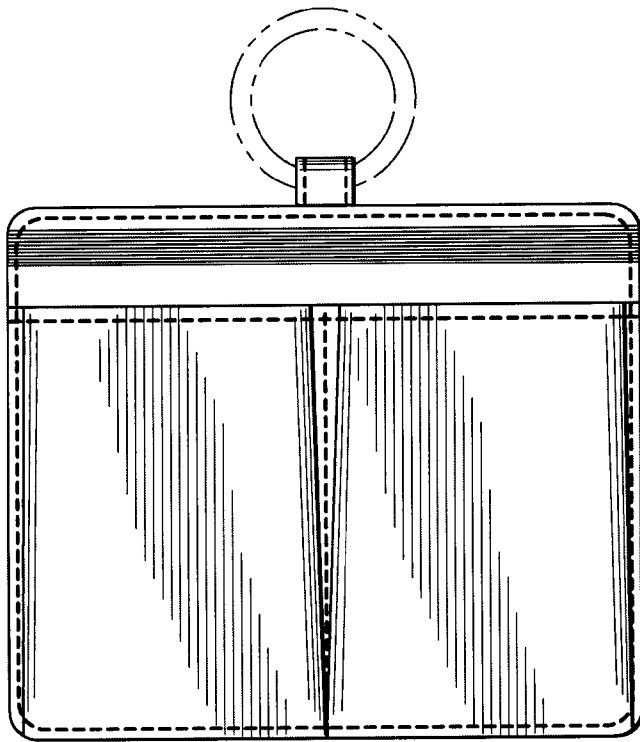
*Fig. 2*



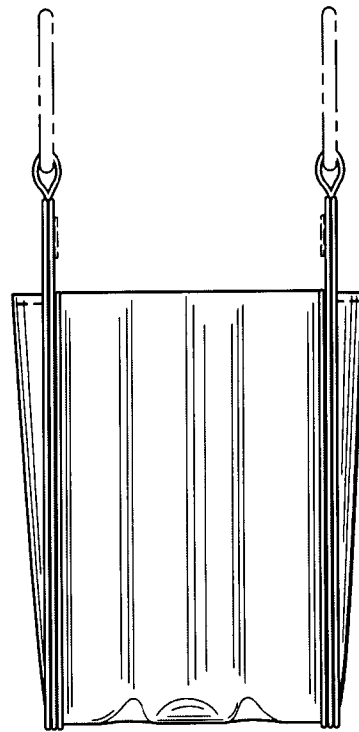
*Fig. 3*



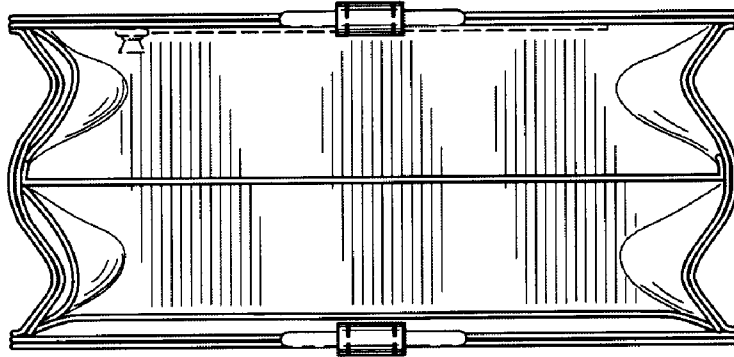
*Fig. 4*



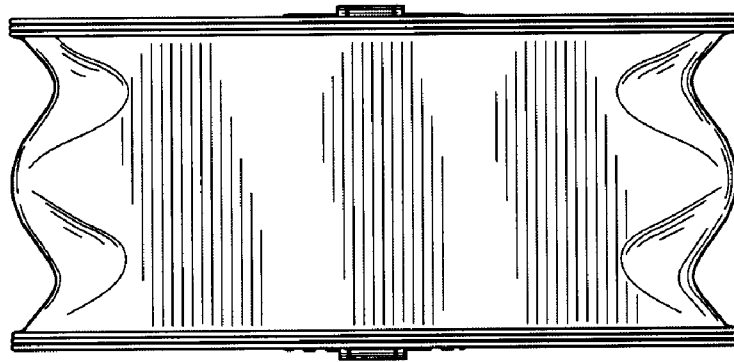
*Fig. 5*



*Fig. 6*



*Fig. 7*



*Fig. 8*