



US00D557495S

(12) **United States Design Patent** (10) **Patent No.:** **US D557,495 S**
Chan et al. (45) **Date of Patent:** **** Dec. 18, 2007**

(54) **HOLDING DEVICE FOR HOLDING AND POSITIONING A PORTABLE OBJECT**

(57) **CLAIM**

(75) Inventors: **James Chan**, San Marino, CA (US);
Saharut Sirichai, Hong Kong (HK)

We claim the ornamental design for a holding device for holding and positioning a portable object, as shown and described.

(73) Assignee: **Belkin International, Inc.**, Compton, CA (US)

DESCRIPTION

(**) Term: **14 Years**

FIG. 1 is a front, left, bottom elevated view of the holding device for holding and positioning a portable object in a closed position;

(21) Appl. No.: **29/270,898**

FIG. 2 is a front view thereof;

(22) Filed: **Jan. 5, 2007**

FIG. 3 left side view thereof;

(51) **LOC (8) Cl.** **03-01**

FIG. 4 is a rear view thereof.

(52) **U.S. Cl.** **D3/218**

FIG. 5 is a right side view thereof;

(58) **Field of Classification Search** **D3/218,**

FIG. 6 is a bottom view thereof;

D3/215, 219, 224-226, 247-252; 150/106-112;
190/100-115; 224/206, 600, 602, 605, 623,
224/666; 206/320, 581; 379/455; 455/100

FIG. 7 is a top view thereof;

See application file for complete search history.

FIG. 8 is a front, right, bottom elevated view of the holding device for holding and positioning a portable object in an open position;

(56) **References Cited**

FIG. 9 is a top, left, rear perspective view thereof

U.S. PATENT DOCUMENTS

FIG. 10 is a front view thereof;

D501,718 S * 2/2005 Brown D3/247

FIG. 11 is a top view thereof;

D519,275 S * 4/2006 Shertzer D3/218

FIG. 12 is a rear view thereof;

D543,023 S * 5/2007 Han et al. D3/218

FIG. 13 is a bottom view thereof;

2001/0035444 A1 * 11/2001 Alis 224/666

FIG. 14 is a top-down view of the front, left side, and rear thereof; and,

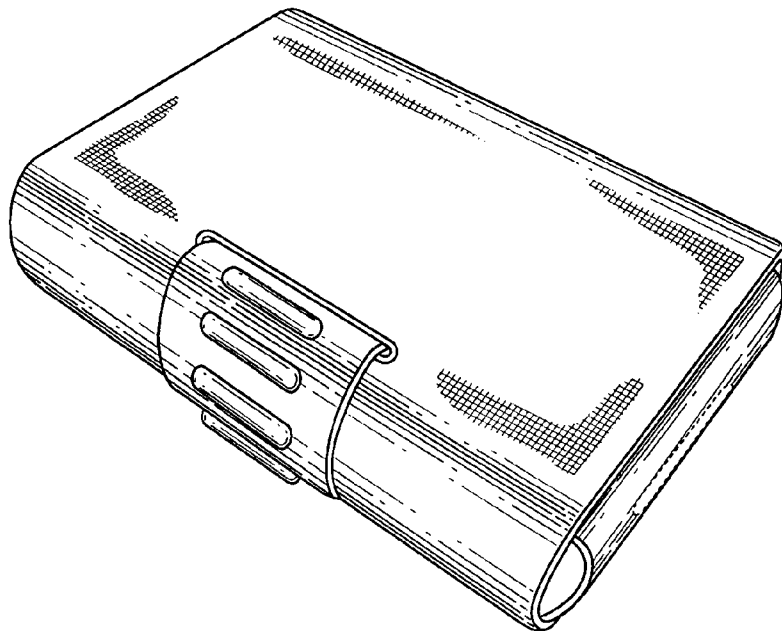
* cited by examiner

FIG. 15 is a bottom-up view of the rear and right side thereof.

The broken lines in the drawings are for illustrative purposes only and form no part of the claimed design.

Primary Examiner—Catherine R. Oliver
(74) *Attorney, Agent, or Firm*—Bryan Cave LLP

1 Claim, 10 Drawing Sheets



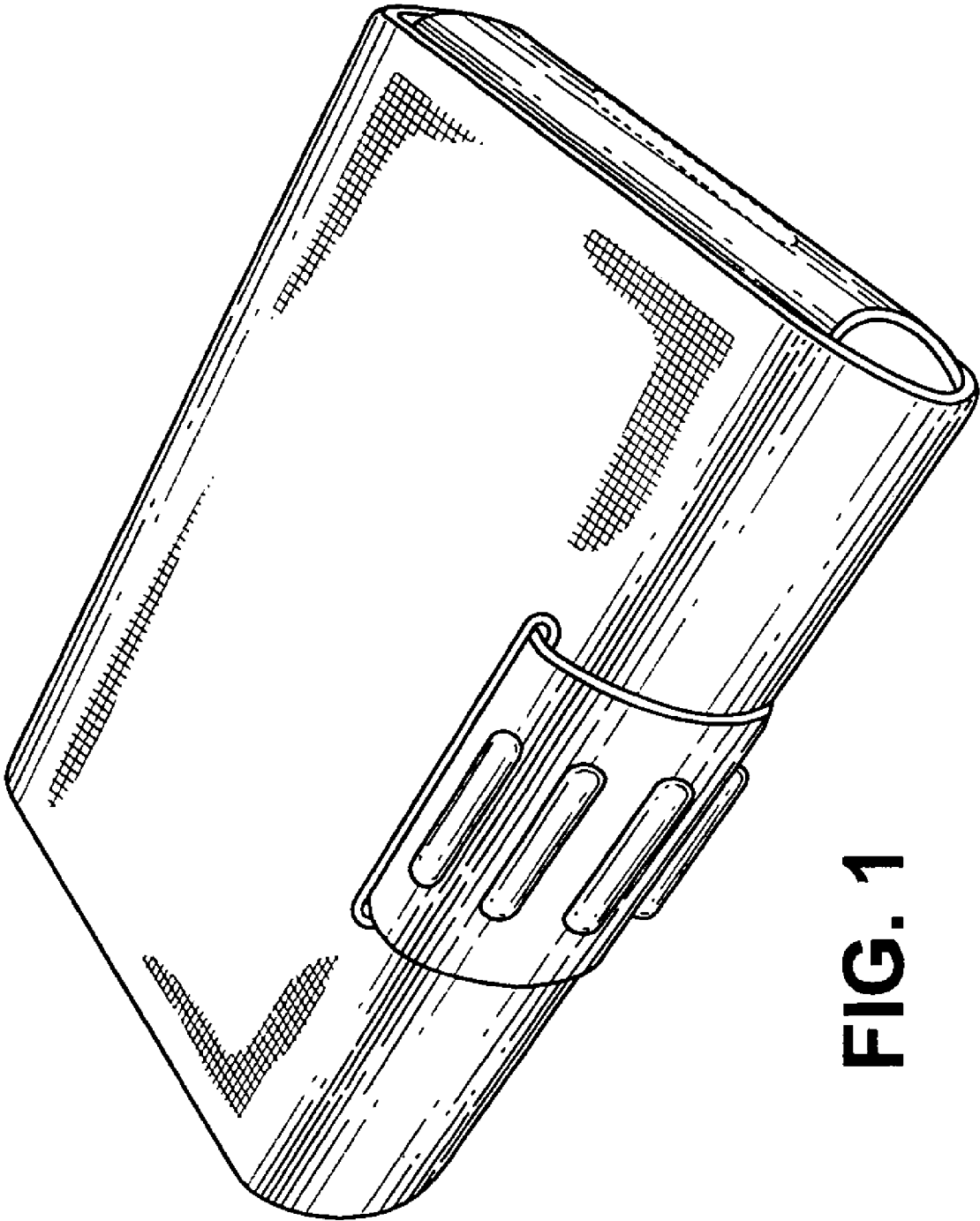


FIG. 1

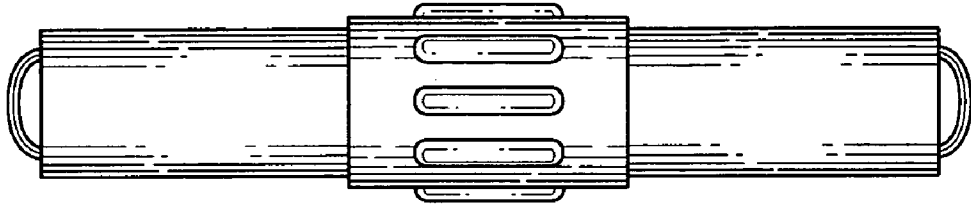


FIG. 3

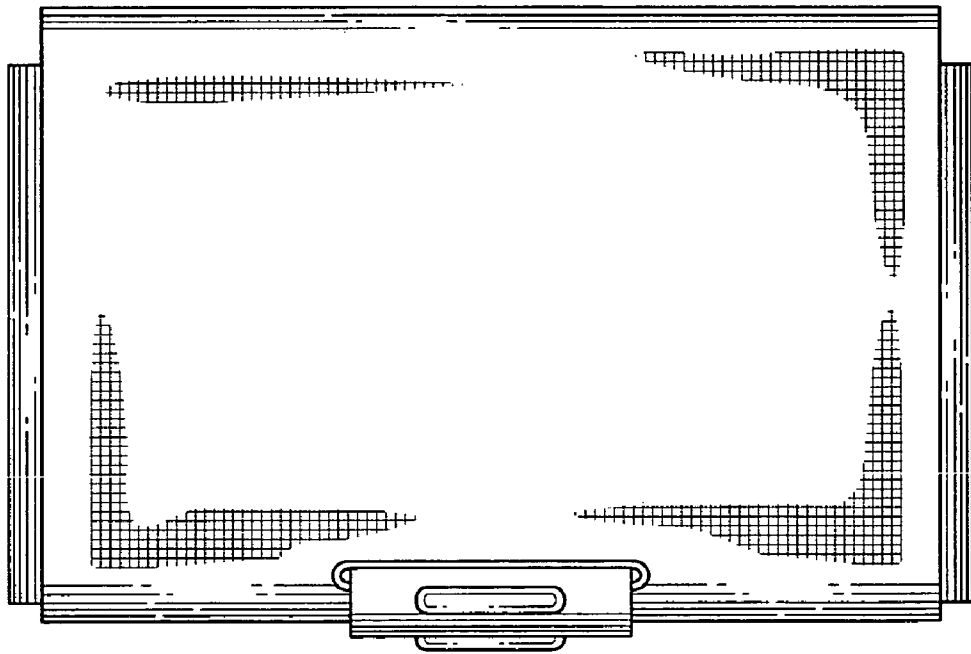


FIG. 2

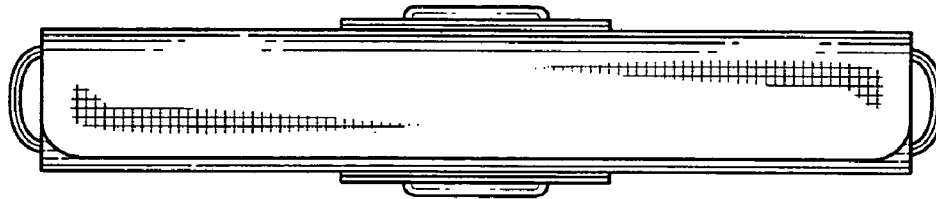


FIG. 5

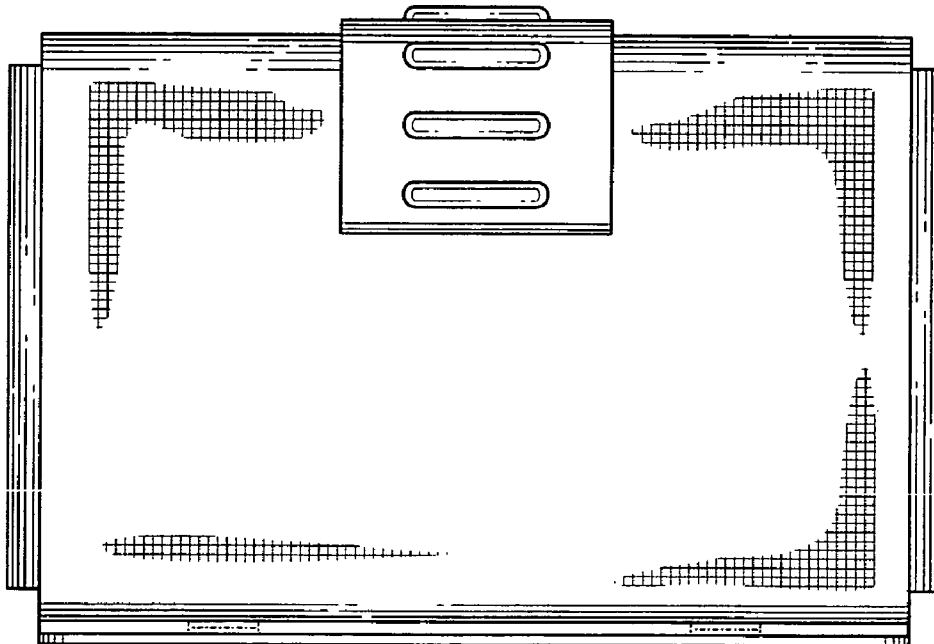


FIG. 4

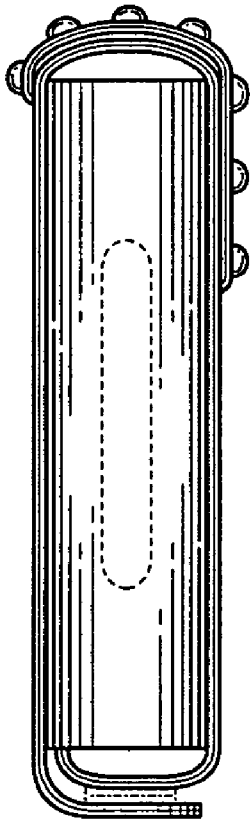


FIG. 6

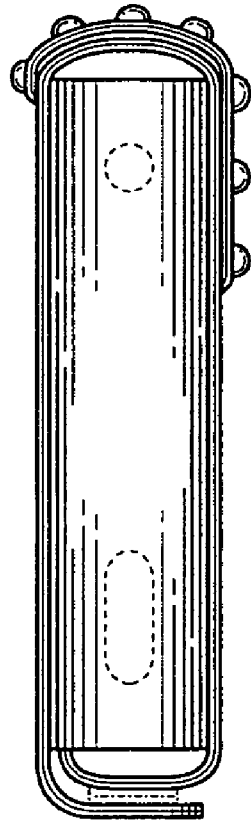


FIG. 7

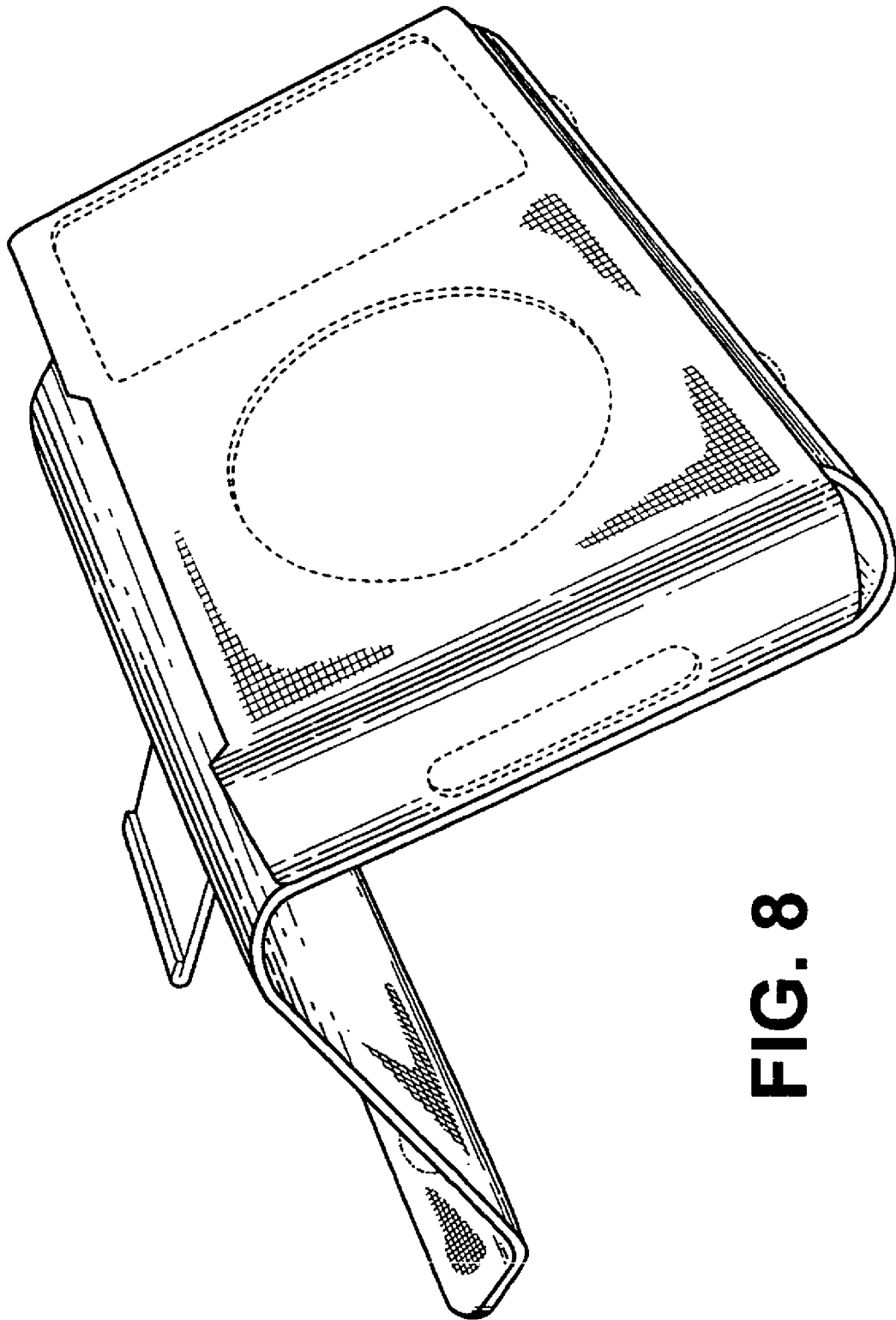


FIG. 8

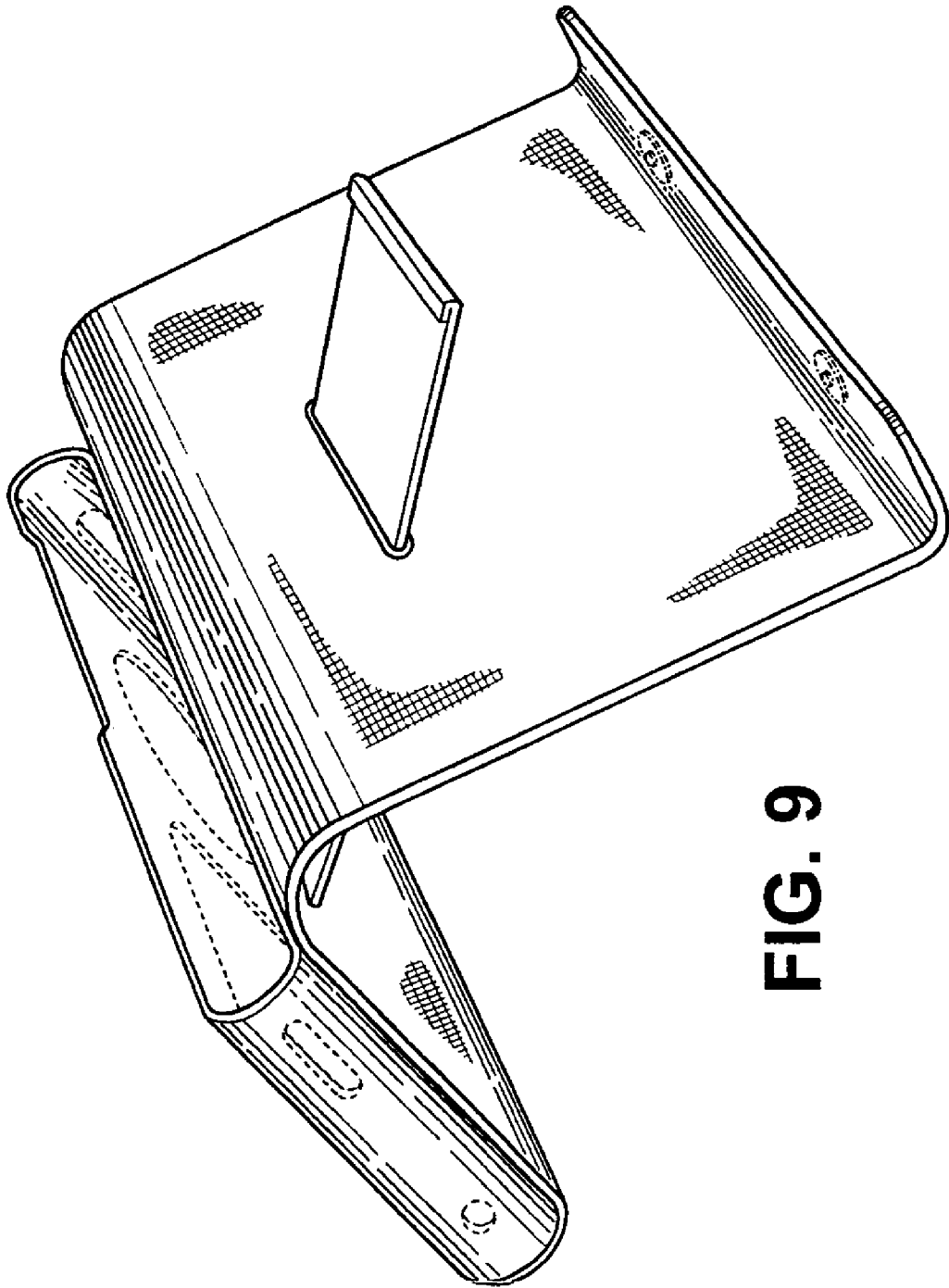


FIG. 9

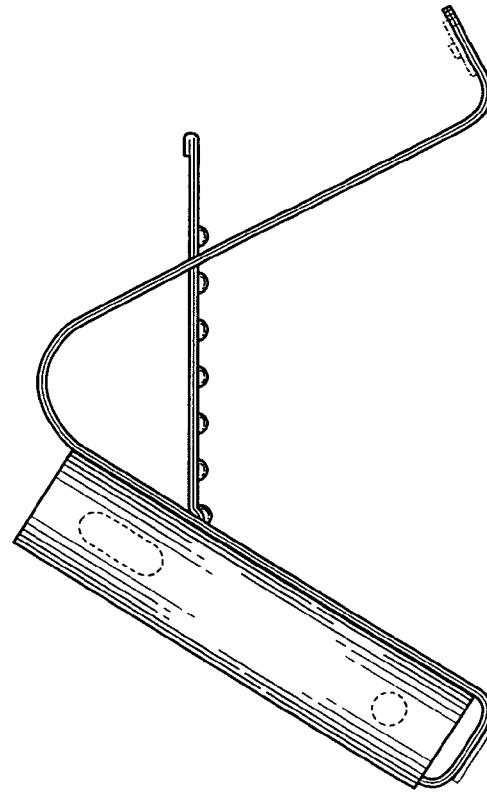


FIG. 11

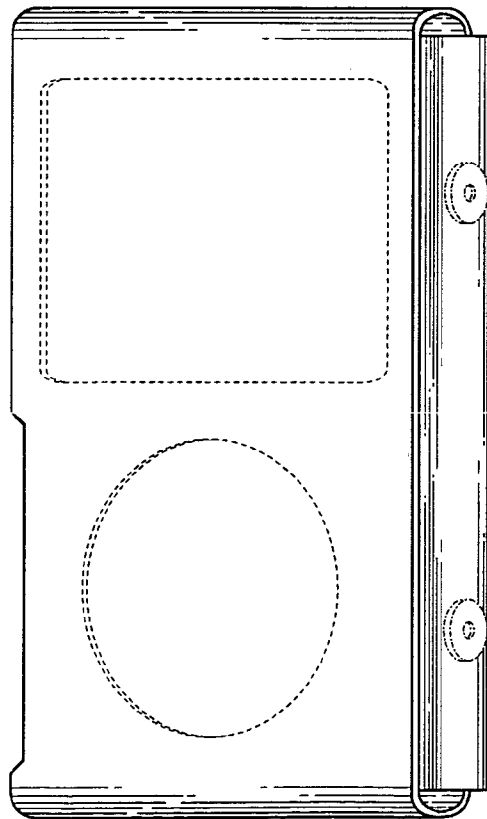


FIG. 10

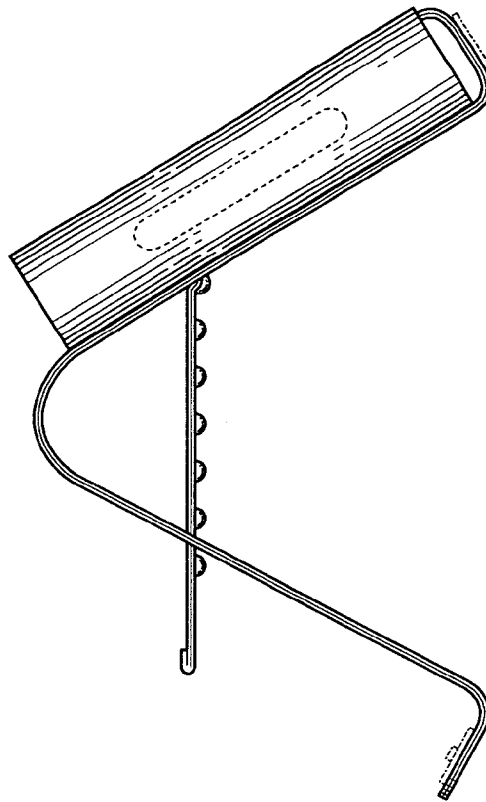


FIG. 13

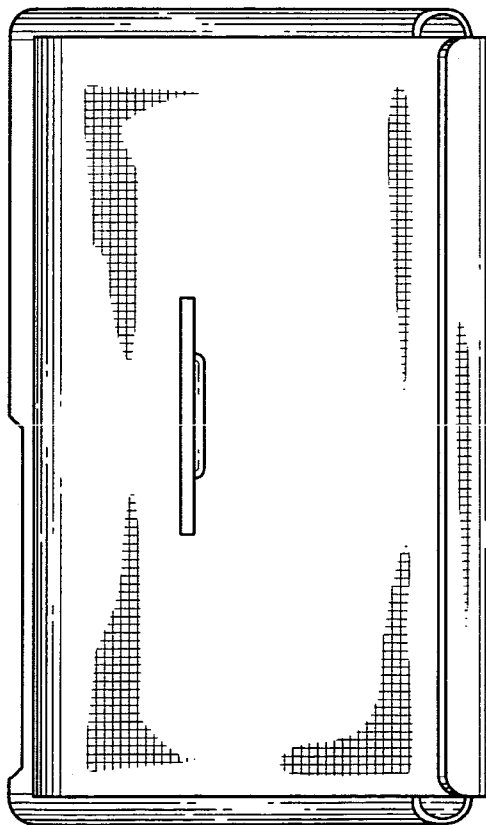


FIG. 12

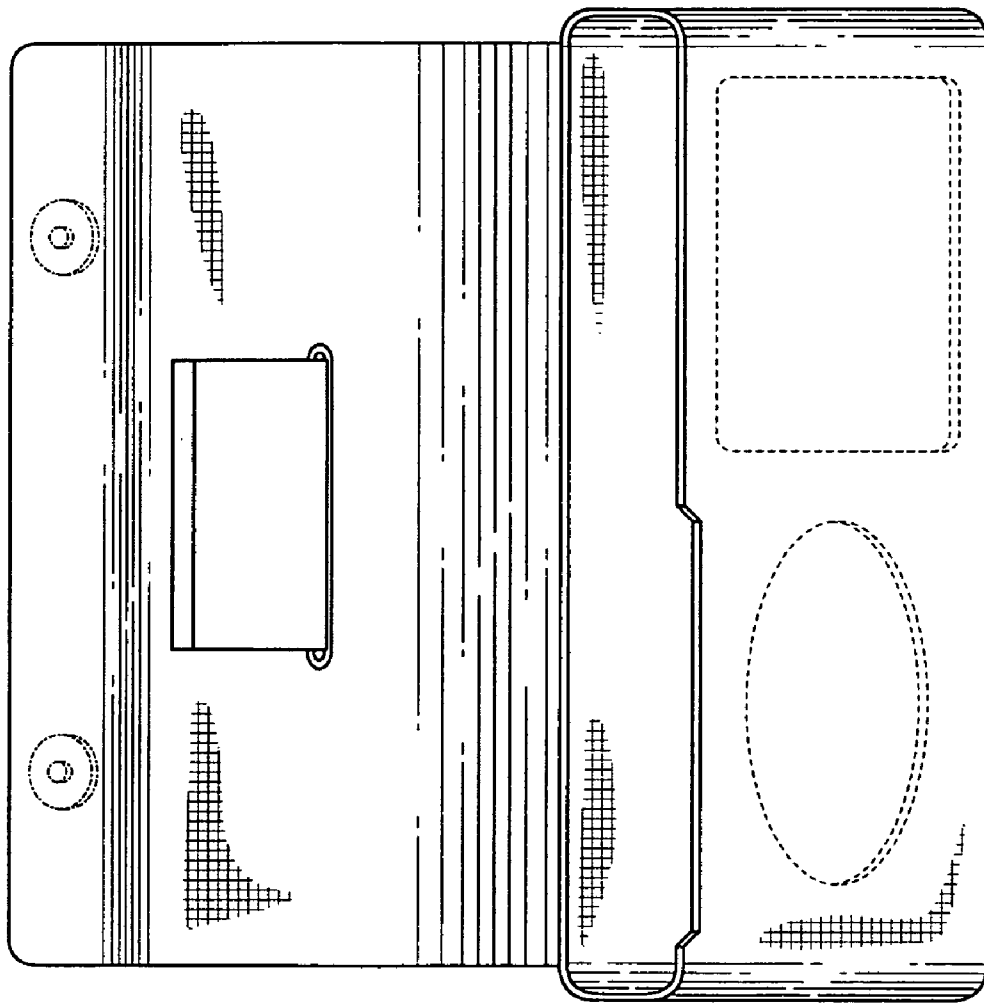


FIG. 14

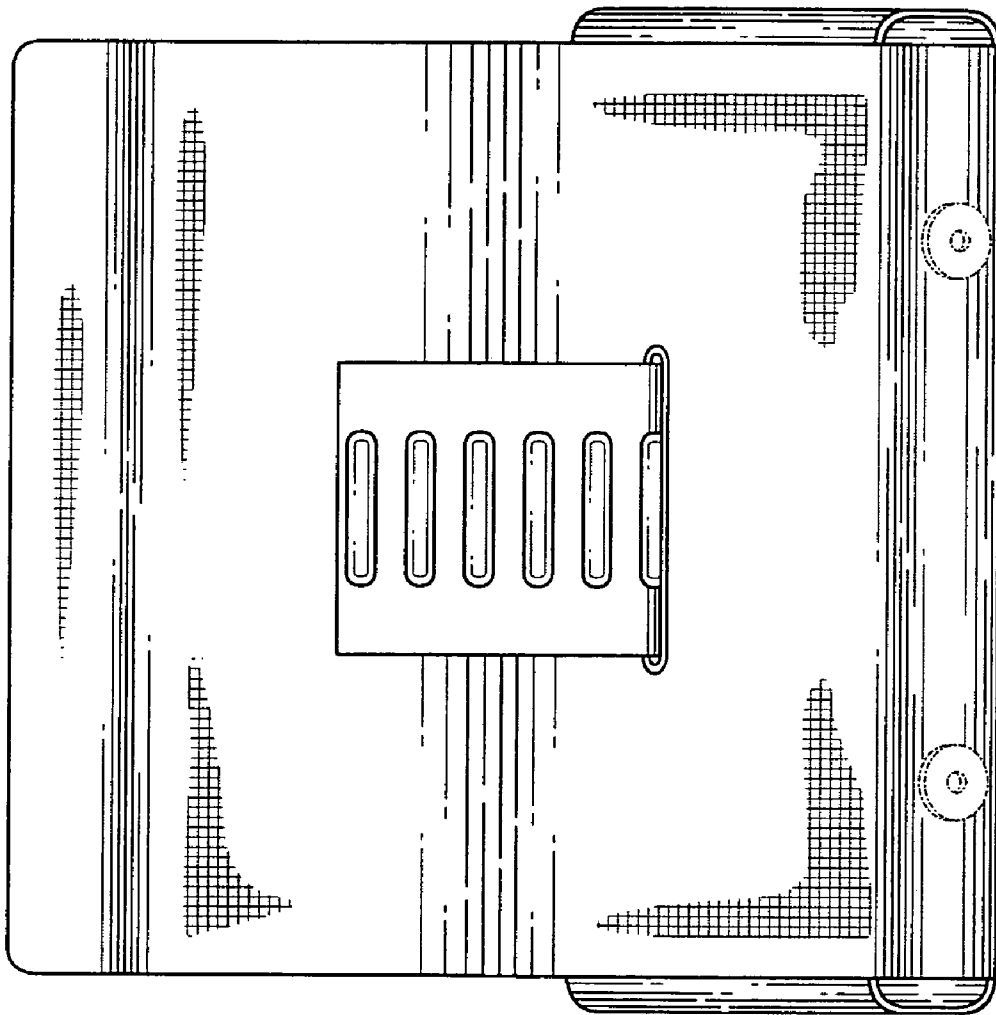


FIG. 15