



US00D805701S

(12) **United States Design Patent**  
**Li**

(10) **Patent No.:** **US D805,701 S**

(45) **Date of Patent:** **\*\* Dec. 19, 2017**

(54) **DOG TRAINING TRANSMITTER DEVICE**

(71) Applicant: **Linxian Li**, Beijing (CN)

(72) Inventor: **Linxian Li**, Beijing (CN)

(\*\*) Term: **15 Years**

(21) Appl. No.: **29/559,433**

(22) Filed: **Mar. 28, 2016**

(51) **LOC (10) Cl.** ..... **30-99**

(52) **U.S. Cl.**

USPC ..... **D30/199; D10/104.1**

(58) **Field of Classification Search**

USPC ..... D30/199, 155; 119/718-721, 712, 905,  
119/908, 859; D10/104.1, 106.1, 104.2,  
D10/106.3; D14/137, 496, 218, 159;  
340/573.3, 573.1, 384.2, 825.76, 538.15,  
340/538.16, 539.1, 539.11, 539.14,  
340/539.15, 539.16, 539.17, 539.18,  
340/539.19, 572.7, 572.8, 572.9, 573.2,  
340/573.4; D13/168

CPC .. A01K 15/021; A01K 15/022; A01K 15/023;  
A01K 15/029; A01K 15/04; A01K 15/00;  
A01K 15/02; A01K 15/006; A01K  
27/009; A01K 29/005; A01K 29/00

See application file for complete search history.

(56) **References Cited**

**U.S. PATENT DOCUMENTS**

D192,360 S \* 3/1962 Kleeberg ..... D14/137  
D433,001 S \* 10/2000 Haase ..... D14/137  
D434,401 S \* 11/2000 Haase ..... D14/137  
D445,706 S \* 7/2001 Myers ..... D10/104.1

D446,144 S \* 8/2001 Christensen ..... D10/104.1  
D462,916 S \* 9/2002 Fleetwood ..... D10/104.1  
6,598,563 B2 \* 7/2003 Kim ..... A01K 15/021  
119/719  
D500,486 S \* 1/2005 Zeitman ..... D14/188  
D545,790 S \* 7/2007 Jameson ..... D10/104.1  
D573,564 S \* 7/2008 Goetzl ..... D10/104.1  
D711,848 S \* 8/2014 Liu ..... D14/155  
D737,004 S \* 8/2015 Russell ..... D30/199  
D759,908 S \* 6/2016 Russell ..... D30/199  
D774,935 S \* 12/2016 Liu ..... D10/104.1  
2013/0118418 A1 \* 5/2013 Lalor ..... A01K 15/021  
119/720  
2014/0261233 A1 \* 9/2014 So ..... A01K 27/009  
119/720  
2016/0100552 A1 \* 4/2016 So ..... A01K 15/021  
119/719

\* cited by examiner

*Primary Examiner* — Susan Moon Lee

(74) *Attorney, Agent, or Firm* — Schmeiser, Olsen & Watts LLP

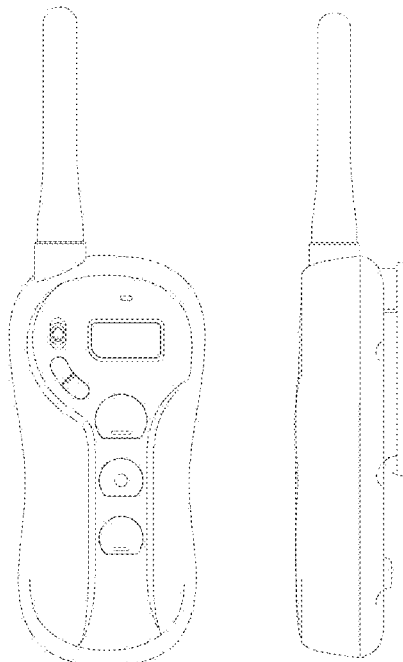
(57) **CLAIM**

The ornamental design for a dog training transmitter device, as shown and described.

**DESCRIPTION**

FIG. 1 is a Front view of a dog training transmitter device showing my new design;  
FIG. 2 is a Rear view thereof;  
FIG. 3 is a Left side view thereof;  
FIG. 4 is a Right side view thereof;  
FIG. 5 is a Top view thereof; and,  
FIG. 6 is a bottom view thereof.

**1 Claim, 6 Drawing Sheets**



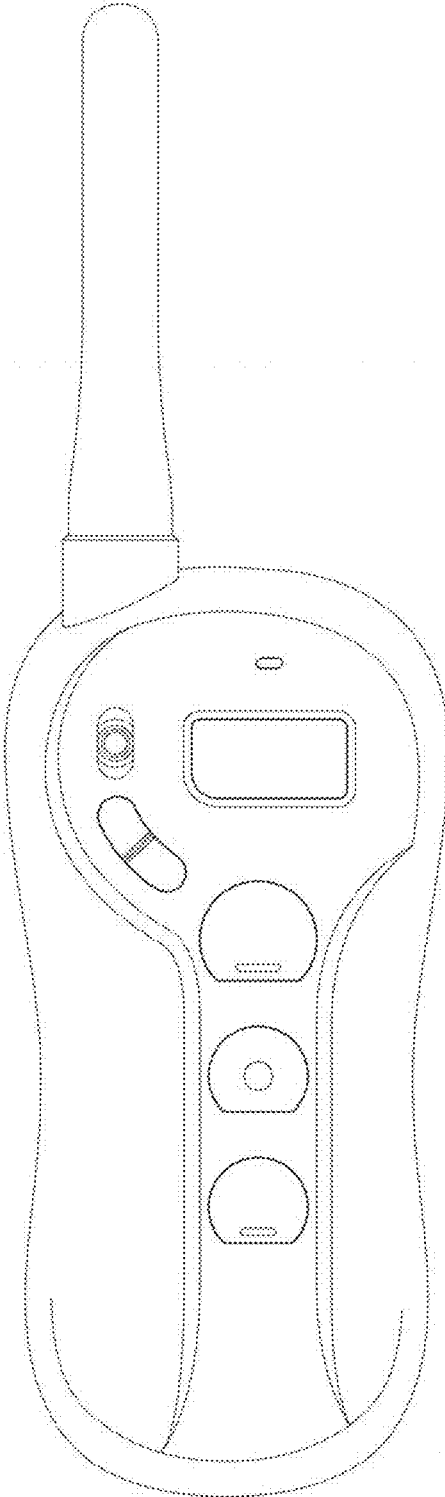


Fig.1

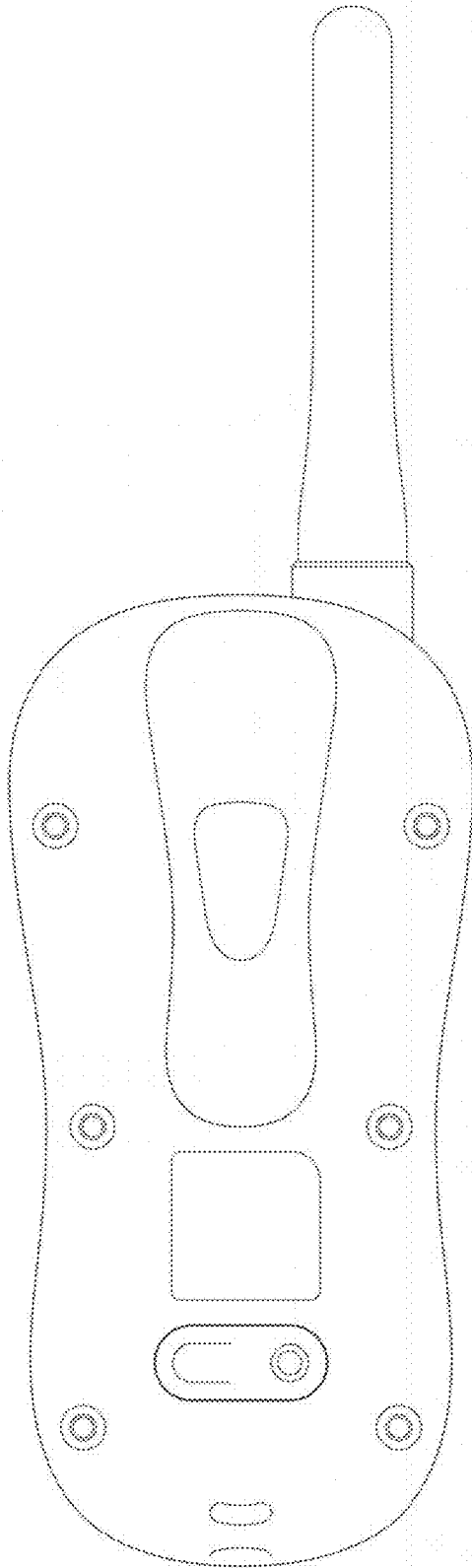


Fig.2

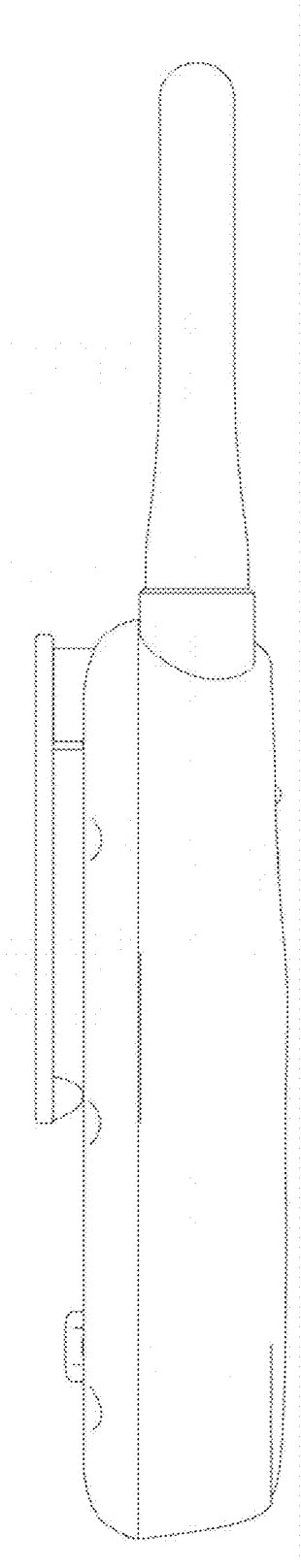


Fig.3

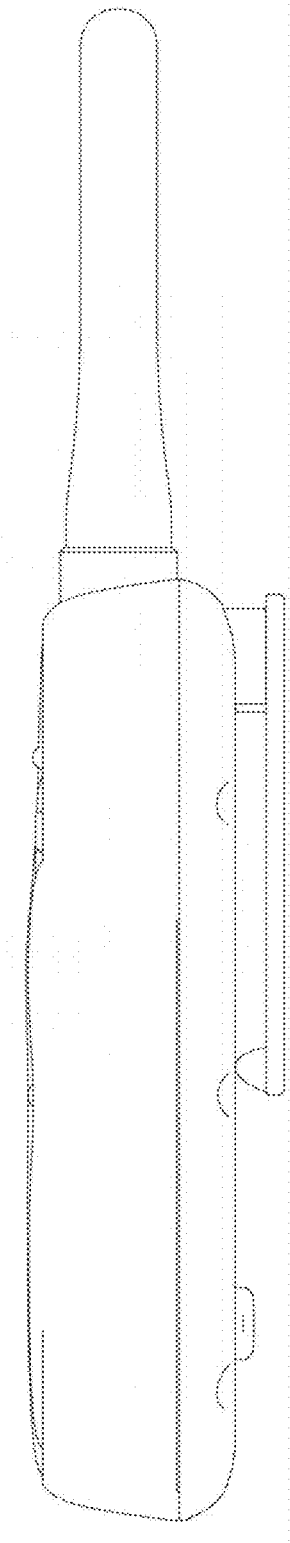


Fig.4

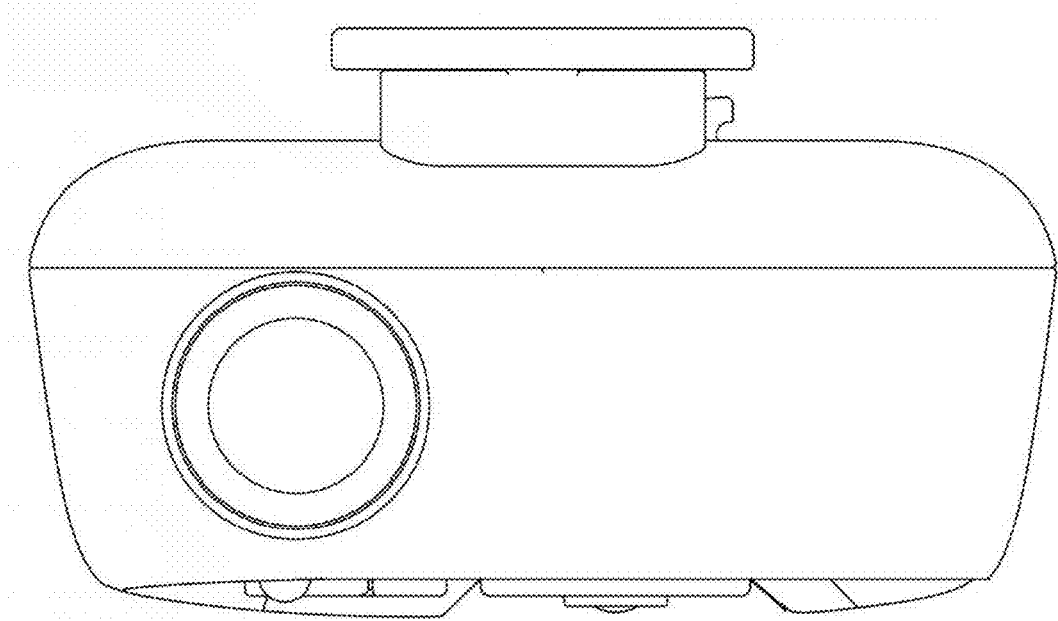


Fig.5

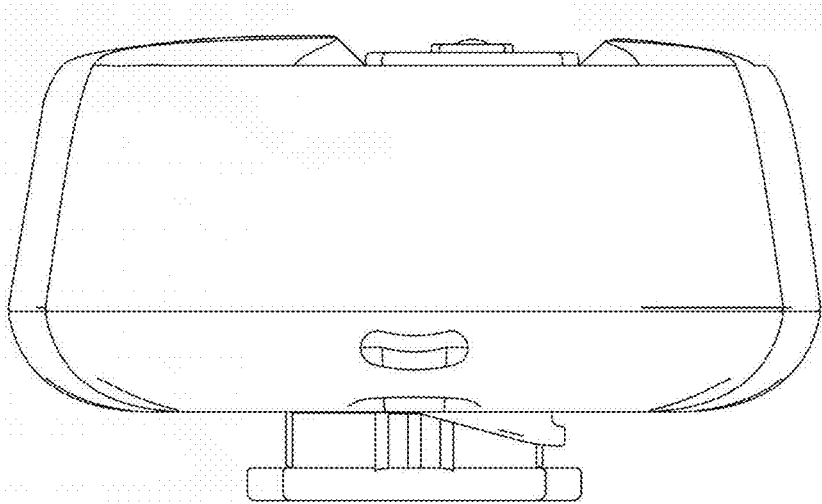


Fig.6