

[54] STEAM COVER FOR CULINARY VESSELS

4,285,441 8/1981 Ziskind ..... 220/231

[75] Inventor: Stephen A. Ziskind, New York, N.Y.

Primary Examiner—Melvin B. Feifer  
Attorney, Agent, or Firm—Natter & Natter

[73] Assignee: Foxy Products, Inc., New York, N.Y.

[57] CLAIM

[\*\*] Term: 14 Years

The ornamental design for a steam cover for culinary vessels, as shown.

[21] Appl. No.: 311,794

[22] Filed: Oct. 15, 1981

[52] U.S. Cl. .... D7/391

[58] Field of Search ..... D7/391, 40; 220/231,  
220/352

DESCRIPTION

FIG. 1 is a front elevational view of a steam cover for culinary vessels showing my new design; FIG. 2 is a rear elevational view thereof; FIG. 3 is an elevational view thereof as viewed from the left side; FIG. 4 is a top plan view thereof; FIG. 5 is a bottom view thereof; and FIG. 6 is an enlarged scale sectional view taken along line 6—6 of FIG. 3.

[56] References Cited

U.S. PATENT DOCUMENTS

- D. 142,977 11/1945 Archer, Jr. .... D7/391
- D. 263,441 3/1982 Johnson ..... D7/391

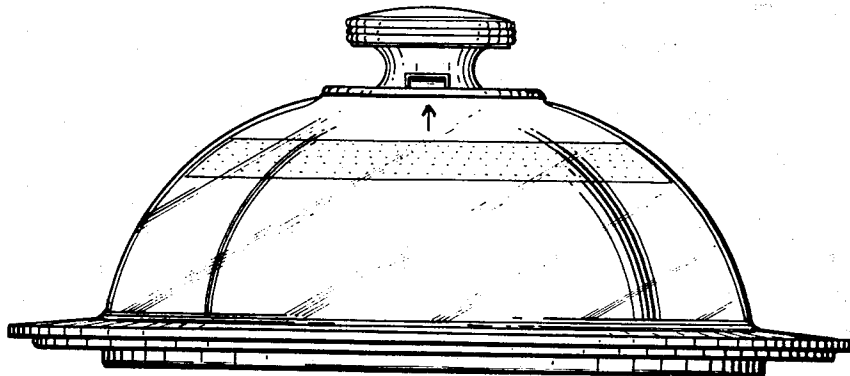


FIG. 1

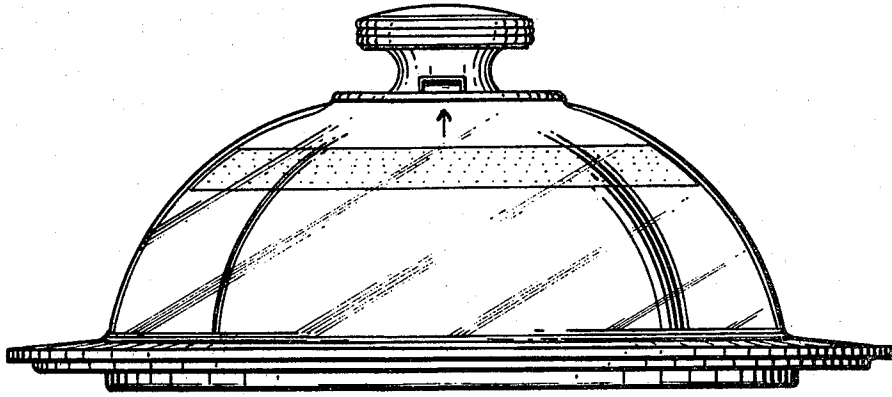


FIG. 4

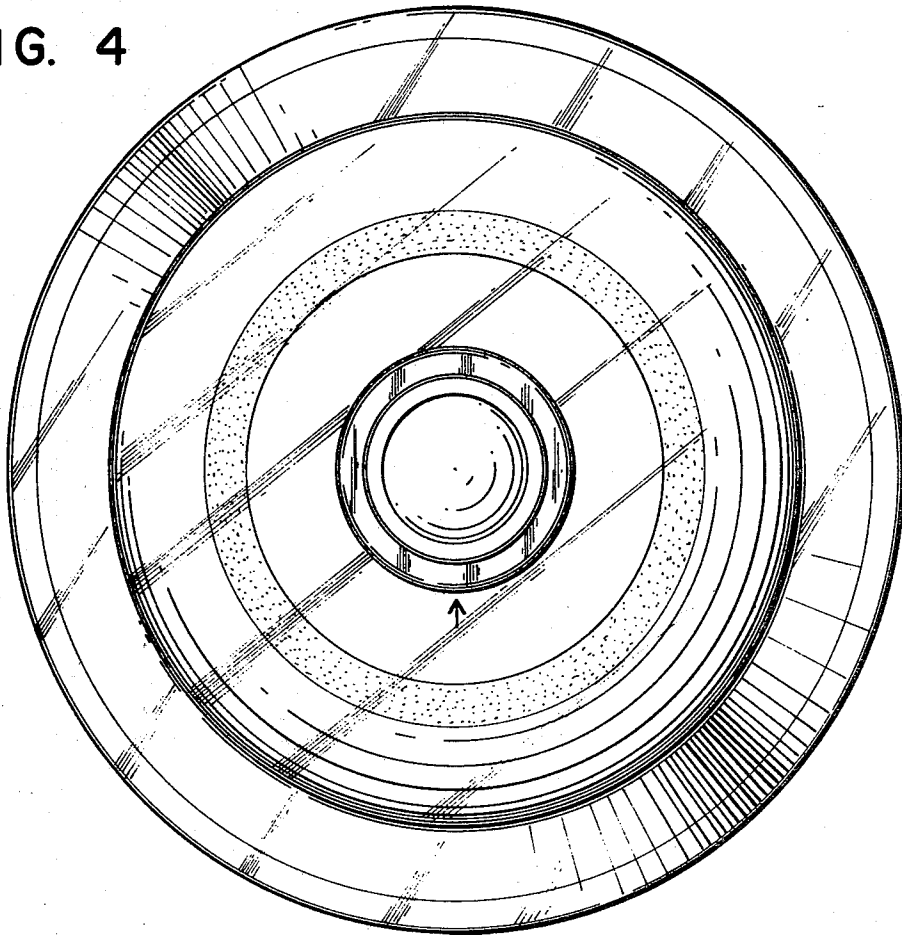


FIG. 2

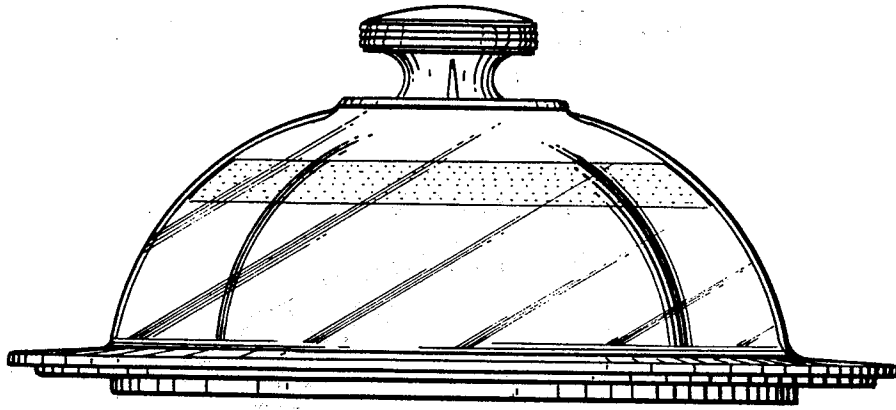


FIG. 5

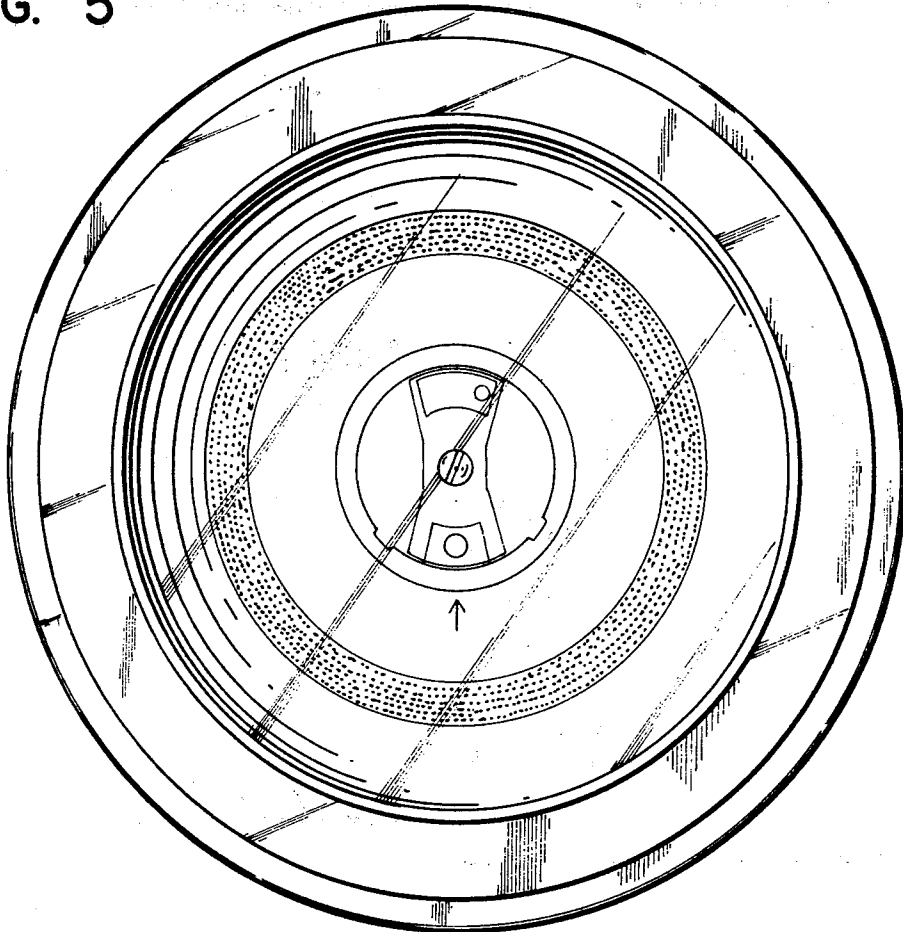


FIG. 3

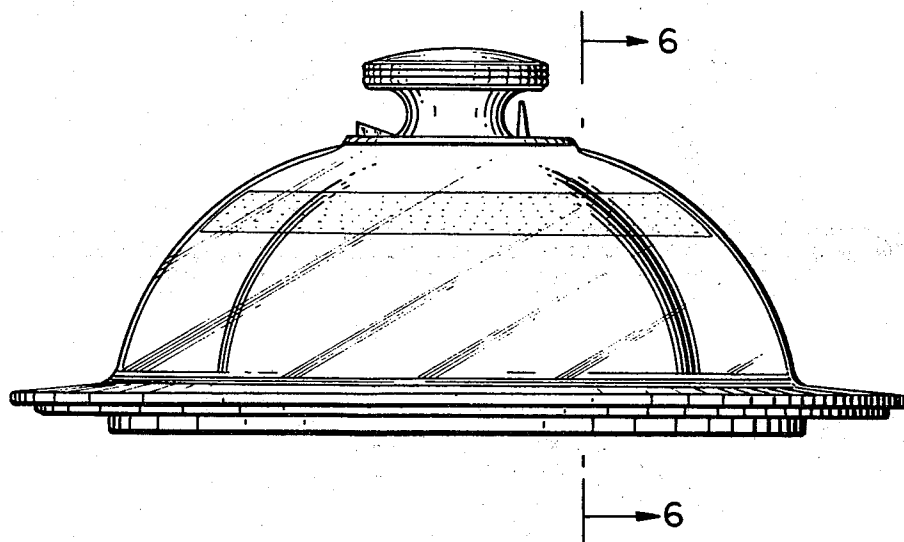


FIG. 6

