



US00D789750S

(12) **United States Design Patent**
Noe et al.

(10) **Patent No.:** **US D789,750 S**
(45) **Date of Patent:** **** Jun. 20, 2017**

(54) **MULTI-TIER DRAWER ORGANIZER**

3,211,290 A * 10/1965 Strickling B65B 21/18
209/522
D240,239 S * 6/1976 Calandrino D24/230
D245,118 S * 7/1977 Heaton 206/562
D257,390 S * 10/1980 Hahn D24/230
(Continued)

(71) Applicant: **Rev-A-Shelf Company, LLC,**
Louisville, KY (US)

(72) Inventors: **David P. Noe,** Louisville, KY (US);
Kenneth R. Rowland, Louisville, KY
(US)

(73) Assignee: **Rev-A-Shelf-Company, LLC,**
Louisville, KY (US)

(**) Term: **15 Years**

(21) Appl. No.: **29/546,711**

(22) Filed: **Nov. 24, 2015**

(51) **LOC (10) Cl.** **07-06**

(52) **U.S. Cl.**

(58) **Field of Classification Search**

USPC **D7/600.1**
USPC D7/600.1-600.4, 601, 602, 590,
D7/619.1-625, 704, 637, 638, 596, 597,
D7/611, 701, 703, 708, 641; D6/404,
D6/405, 406.4, 463, 515, 552, 556, 566,
D6/567, 517, 553, 555, 704, 705, 560,
D6/627; D3/201, 202, 210, 257, 259,
D3/263, 264, 295, 296, 298, 304, 310,
D3/313, 315, 328; D24/230, 227
CPC A47B 81/007; A47B 81/00; A47B 96/00;
A47F 7/283; A47F 7/0078; A47F 1/08;
A47F 1/00; A47J 47/16; A47J 47/01;
A47J 47/20; A47J 47/00; A47J 31/3642;
F16M 11/00; A47G 23/0208; A47G
23/03; A47G 23/02; A47G 23/0633;
A47G 23/08; A47G 29/00; A01G 5/04
See application file for complete search history.

(56) **References Cited**

U.S. PATENT DOCUMENTS

2,574,099 A 11/1951 Gessler
2,825,617 A 3/1958 Morgan

OTHER PUBLICATIONS

“Complete System Two-Tier Cutlery Organizer to Replace Existing Drawers”, at least as early as Dec. 31, 2009, pp. 1-2, available at www.rev-a-shelf.com.

(Continued)

Primary Examiner — Ian Simmons

Assistant Examiner — Shannon Morgan

(74) *Attorney, Agent, or Firm* — Brinks Gilson & Lione

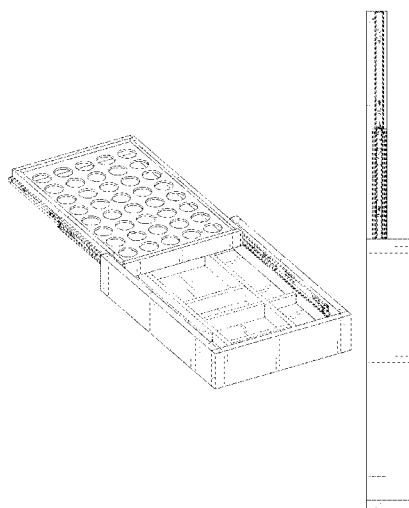
(57) **CLAIM**

We claim the ornamental design for a multi-tier drawer organizer, as shown and described.

DESCRIPTION

FIG. 1 is a top, front perspective view of a multi-tier drawer organizer;
FIG. 2 is a top plan view thereof;
FIG. 3 is a front elevation view thereof;
FIG. 4 is a right side elevation view thereof; the left side elevational view being an identical mirror image thereof;
FIG. 5 is a rear elevation view thereof;
FIG. 6 is a bottom plan view thereof;
FIG. 7 is another top, front perspective view of the multi-tier drawer organizer shown with the second tier drawer removed for ease of illustration;
FIG. 8 is a bottom, front perspective view thereof;
FIG. 9 is a bottom, rear perspective view thereof; and,
FIG. 10 is a sectional view of the multi-tier drawer organizer taken along line 10-10 of FIG. 2.
The broken lines shown in the figures form no part of the claimed design of the multi-tier drawer organizer.

1 Claim, 10 Drawing Sheets



(56)

References Cited

U.S. PATENT DOCUMENTS

D265,126	S *	6/1982	Beall	D24/230
4,487,316	A *	12/1984	Calhoun	A45D 6/00 206/443
D302,207	S *	7/1989	Matkovich	D24/226
D313,651	S *	1/1991	Michelson	D24/217
5,037,165	A	8/1991	Rapp et al.		
5,044,059	A	9/1991	DeGiulio		
D323,400	S *	1/1992	Frenkel	D24/230
D332,664	S *	1/1993	Sincock	D24/130
D337,165	S *	7/1993	Malinoff	D24/222
5,385,230	A	1/1995	Nygaard et al.		
5,396,989	A *	3/1995	Hein	A61B 17/205 206/366
D359,126	S *	6/1995	Hovatter	D24/227
5,468,062	A	11/1995	Finnegan		
D369,415	S *	4/1996	Boulton	D24/224
5,586,816	A	12/1996	Geiss, II		
D392,743	S *	3/1998	Stoufer	D24/230
D399,710	S *	10/1998	Brown	D7/708
5,904,257	A *	5/1999	Marmet	A47F 3/001 211/75
5,927,839	A	7/1999	Alfaro		
D414,271	S *	9/1999	Mendoza	D24/224
D414,991	S *	10/1999	Brown	D7/701
D420,743	S *	2/2000	Monks	D24/224
6,283,566	B1 *	9/2001	Doces	A47B 81/04 211/71.01
D461,554	S *	8/2002	Lafond	D24/227
D472,752	S *	4/2003	Medendorp	D21/341
6,811,232	B2	11/2004	Doan et al.		
D513,596	S *	1/2006	Hamblin	D24/230
D515,941	S *	2/2006	Hamblin	D24/230
D515,942	S *	2/2006	Hamblin	D24/230
D538,538	S *	3/2007	Espinosa	D3/313
D592,401	S *	5/2009	Beavers	D3/304
D596,758	S *	7/2009	Constable	D24/230
D601,343	S *	10/2009	Franczyk	D3/313
D611,162	S *	3/2010	Moon	D24/227
D622,860	S *	8/2010	Karpiloff	D24/230
D624,661	S *	9/2010	Himmelsbach	D24/230
D632,404	S *	2/2011	Karpiloff	D24/230
D639,447	S *	6/2011	Karpiloff	D24/230
D650,636	S *	12/2011	Roth	D7/600.1
D653,767	S *	2/2012	Lovshe	D24/230
D673,294	S *	12/2012	Motadel	D24/227
D673,295	S *	12/2012	Motadel	D24/227
8,403,156	B1 *	3/2013	Boone	A47F 7/283 211/75
D690,027	S *	9/2013	Motadel	D24/227
D695,078	S *	12/2013	Hertaus	D7/600.1
D699,371	S *	2/2014	Williams	D24/230
8,708,435	B2	4/2014	Johnson et al.		
D705,618	S *	5/2014	Reid, Jr.	D7/701
8,727,142	B2	5/2014	Shapiro		
D708,763	S *	7/2014	Smeja	D24/229
D712,205	S *	9/2014	Yoder	D7/600.1
D713,051	S *	9/2014	Smeja	D24/230
D714,958	S *	10/2014	Smeja	D24/230
D724,236	S *	3/2015	Motadel	D24/227
D734,867	S *	7/2015	Smeja	D24/230
D739,680	S *	9/2015	Smeja	D24/230
D749,381	S *	2/2016	Magri	D24/230
D768,873	S *	10/2016	Stedman	D24/227
D770,165	S *	11/2016	Music	D3/204
2006/0168992	A1 *	8/2006	Robertson	A47F 3/0443 62/457.5
2006/0248918	A1 *	11/2006	Robertson	A47F 3/0439 62/457.5
2008/0136301	A1 *	6/2008	Harbison	A47J 47/16 312/334.1
2008/0223801	A1 *	9/2008	Krempa	A47B 75/00 211/71.01
2010/0155280	A1	6/2010	Graute et al.		
2012/0175328	A1 *	7/2012	Bosch	B01L 9/06 211/85.18
2013/0126387	A1	5/2013	Rowe		

OTHER PUBLICATIONS

“Smart Accessories”, dated Sep. 1, 2015, pp. 1-10, Available at www.dbsdrawers.com/products/accessories/smart_accessories.php#3.

* cited by examiner

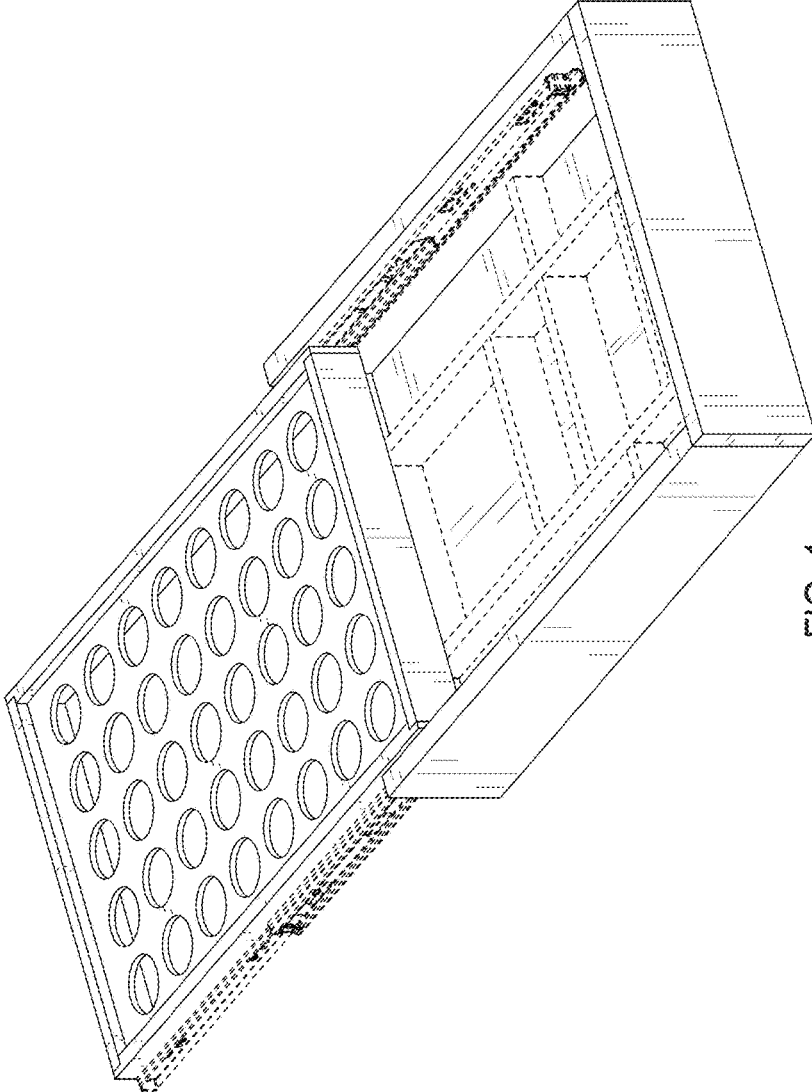


FIG. 1

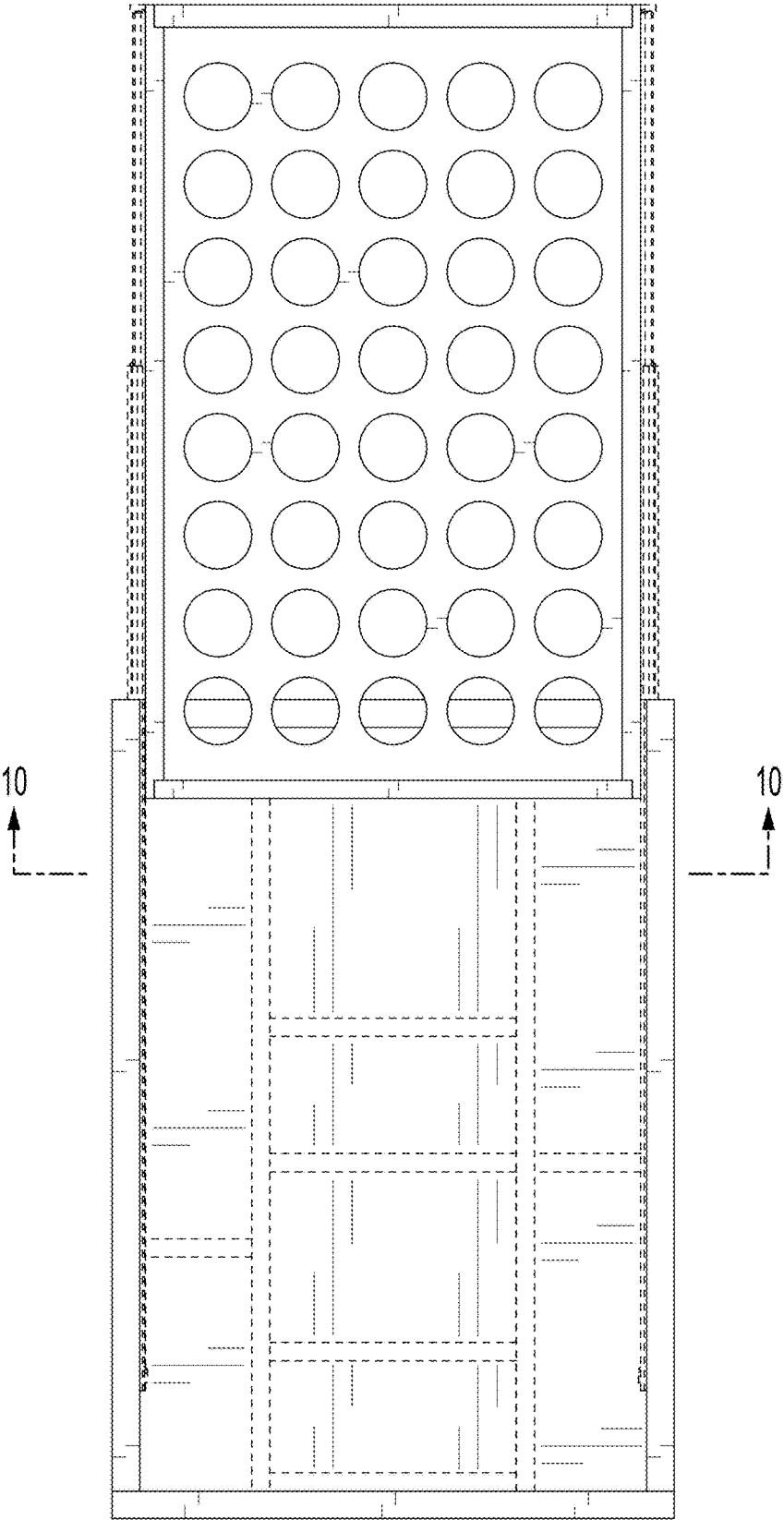


FIG. 2



FIG. 3

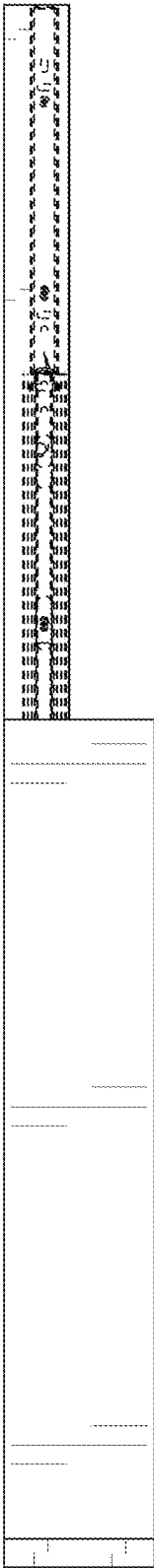


FIG. 4

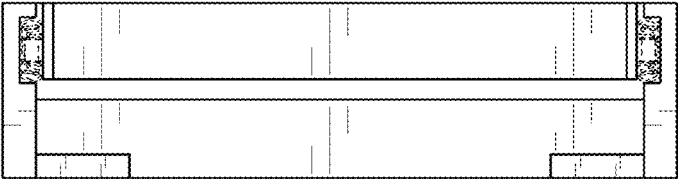


FIG. 5

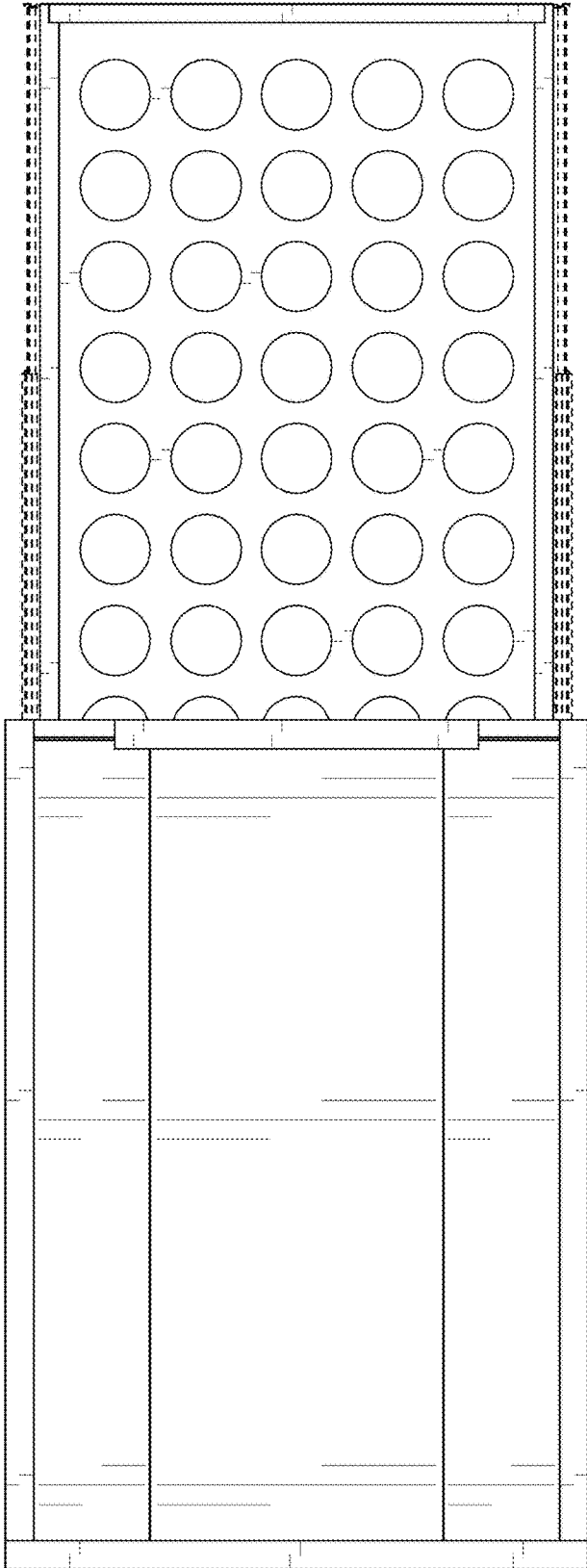


FIG. 6

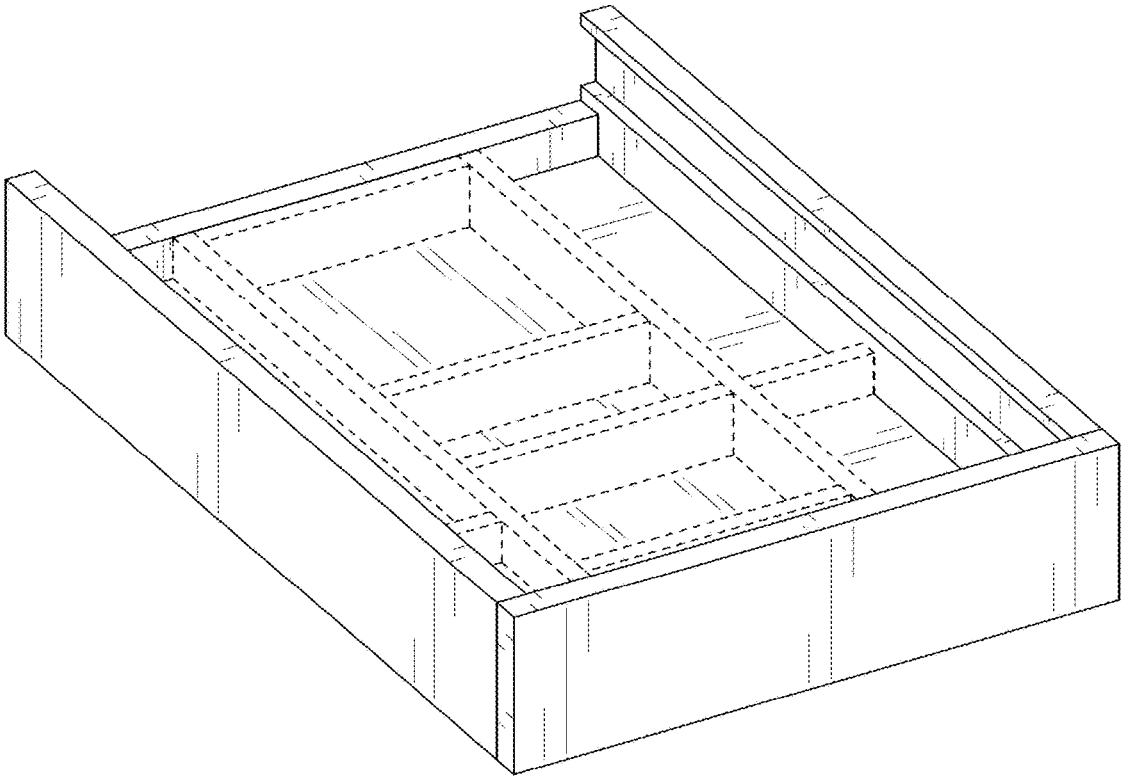


FIG. 7

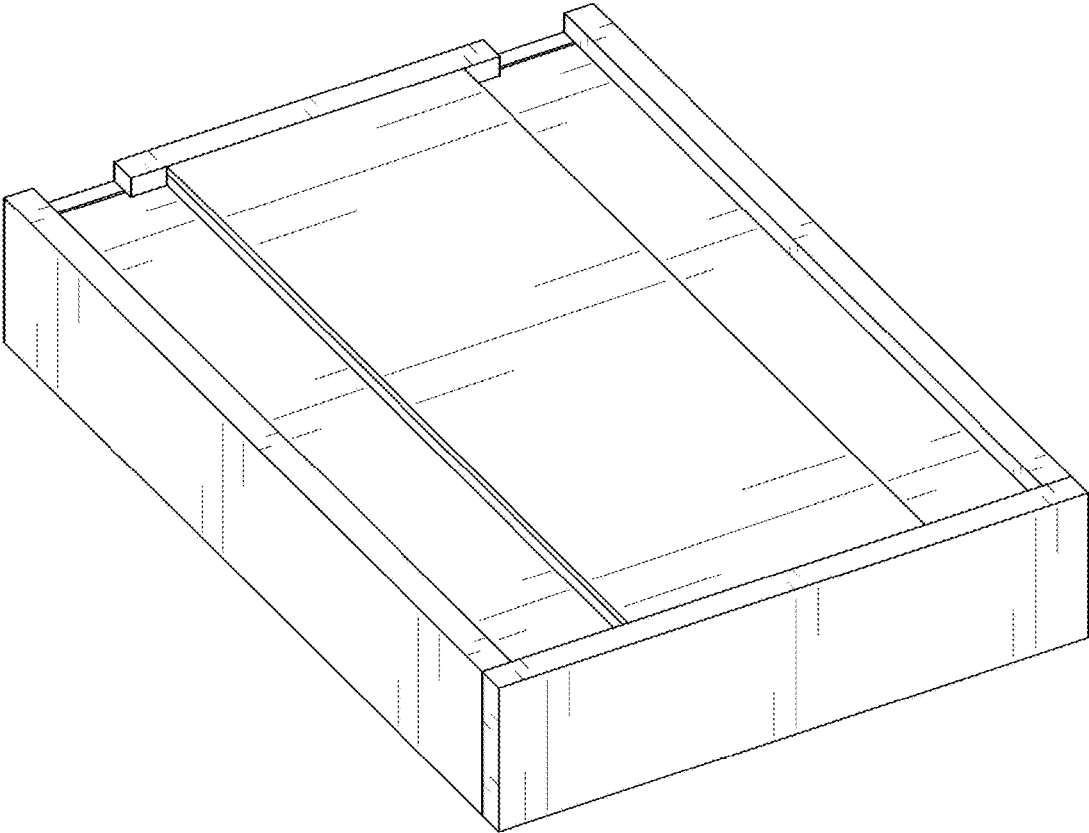


FIG. 8

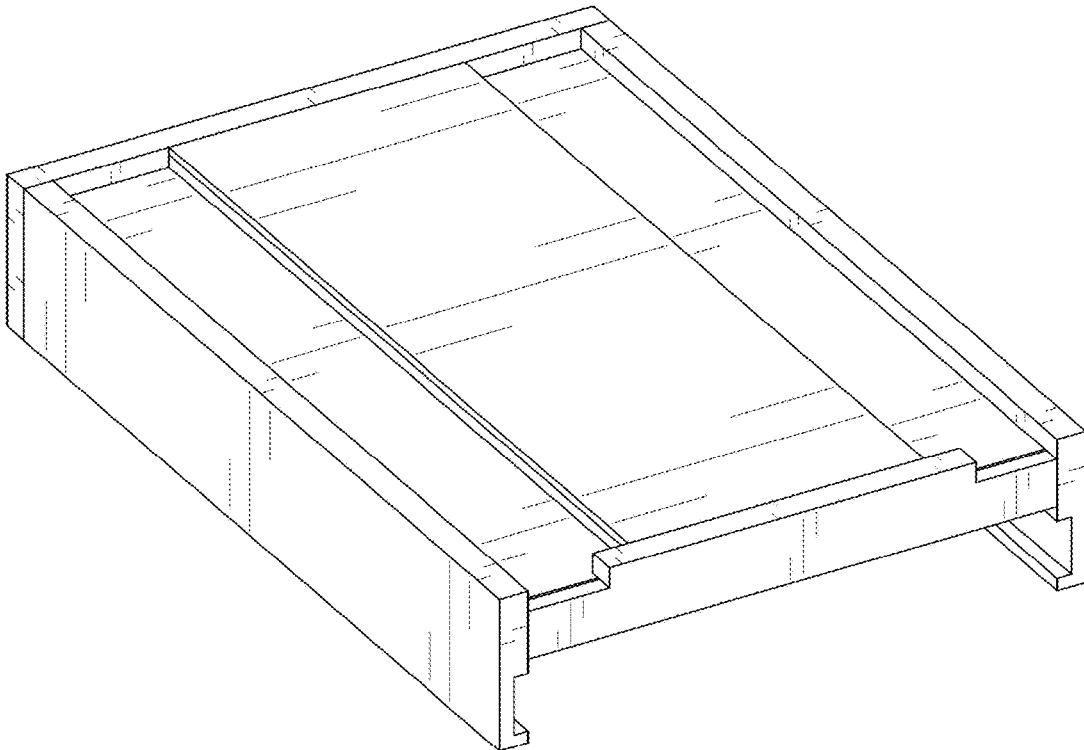


FIG. 9

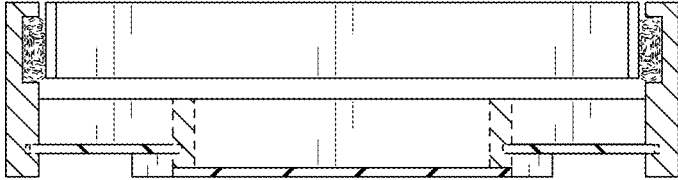


FIG. 10