

(12) **UK Patent Application** (19) **GB** (11) **2 422 401** (13) **A**

(43) Date of A Publication **26.07.2006**

(21) Application No: **0501390.9**
(22) Date of Filing: **24.01.2005**

(71) Applicant(s):
Scott Alexander McCormack
Willsden House, Rhiwbina Hill, Rhiwbina,
CARDIFF, CF14 6UP, United Kingdom

(72) Inventor(s):
Scott Alexander McCormack

(74) Agent and/or Address for Service:
Scott Alexander McCormack
Willsden House, Rhiwbina Hill, Rhiwbina,
CARDIFF, CF14 6UP, United Kingdom

(51) INT CL:
G07C 9/00 (2006.01) **E05B 47/02** (2006.01)

(52) UK CL (Edition X):
E2A ABC A115 A135

(56) Documents Cited:
GB 2341202 A **GB 2325489 A**
GB 2324827 A **EP 1418295 A1**
US 5933086 A **US 5920268 A**

(58) Field of Search:
UK CL (Edition X) **E2A**
INT CL⁷ **E05B, G07C**
Other: **ONLINE: EPODOC, WPI**

(54) Abstract Title: **Keyless euro profile cylinder lock**

(57) A euro profile cylinder lock that has keyless control. The lock is driven by an electric motor and may be power by a battery 6. The lock comprises an external button and an internal button. Pressing of the external button operates a receiver 2, which then receives a signal from a transmitter card 8. This allows motor 4 to rotate the cam 5 by one revolution and unlock the door. The internal button 9 may then be pressed to re-engage the door.

Fig 1

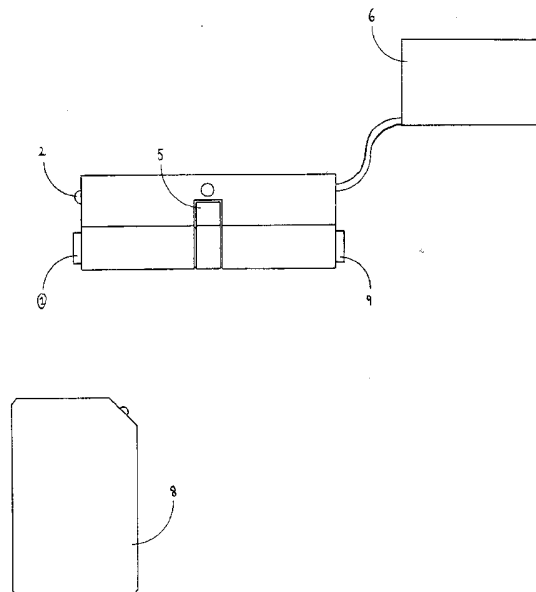


Fig 1

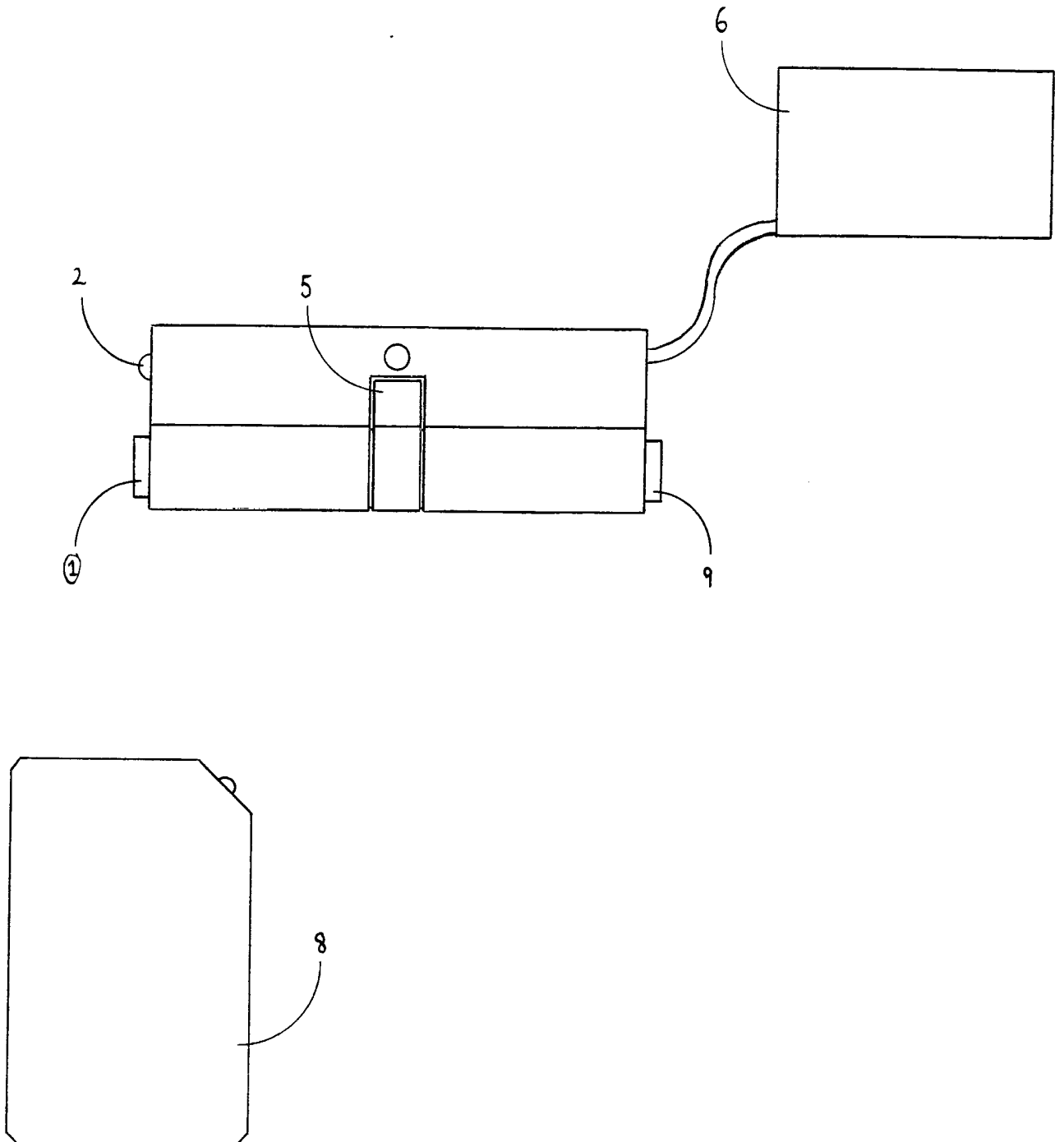


Fig 3

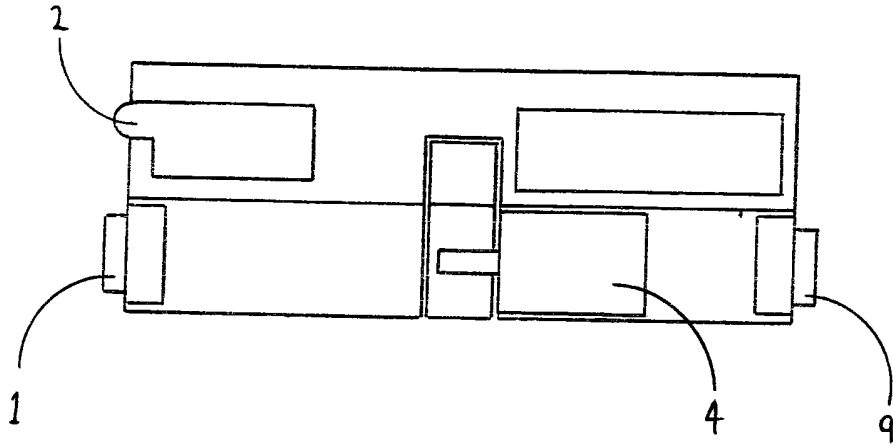
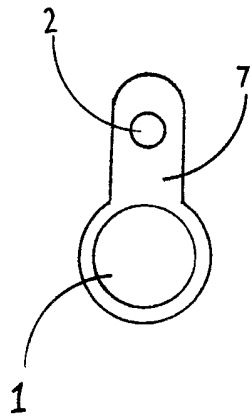


Fig 2



KEYLESS EUROPEAN PROFILE DOOR ENTRY CYLINDER

This invention relates to a keyless European profile cylinder lock

Traditional European profile cylinder locks are commonly used on UPVC, Aluminium and wooden doors but suffer from certain disadvantages. Normally access is through the use of a key which means locating the key on your person and inserting the key in the keyway of the lock. This can be extremely awkward when the users hands are otherwise occupied. During the hours of darkness location of the keyway and inserting the key can be most difficult.

Speed and ease of access for a keyless European profile cylinder lock user is greatly improved

A Specific embodiment of the invention will now be described by way of example with reference to the accompanying drawing in which -

Figure 1 shows the Keyless European profile cylinder lock side elevation

Figure 2 illustrates the front elevation showing the button press.

Figure 3 illustrates the inner workings of the lock

Referring to the drawing the lock comprises a European profile body 7 with an external button 1 when pressed operates a receiver 2 which receives a signal from a transmitter card 8 which allows the battery 6 driven motor 4 to engage which then rotates the cam 5 one revolution enabling the door to open. When access has been obtained the internal button 9 is pressed to re-engage the lock.

CLAIMS

1. A keyless European profile cylinder lock
2. A European profile lock driven by an electric motor
3. A keyless European profile cylinder lock fully compatible and interchangeable with any conventional European profile cylinder lock



3



INVESTOR IN PEOPLE

Application No: GB0501390.9

Examiner: Catherine Jones

Claims searched: 1-3

Date of search: 31 March 2005

Patents Act 1977: Search Report under Section 17

Documents considered to be relevant:

Category	Relevant to claims	Identity of document and passage or figure of particular relevance
X	1-3	EP 1418295 A1 (NEDAP) - see particularly figure 1 and paragraphs 0015 and 0031
X	1-3	GB 2341202 A (SHYANG) - see particularly figures 6 and page 6 lines 26 to page 7 line 17
X	1-3	GB 2325489 A (EMHART) - see particularly figure 1 and page 2 line 30 to page 3 line 7
X	1-3	GB 2324827 A (EMHART) - see particularly figure 1 and page 3 line 28 to page 4 line 21
A	-	US 5920268 A (NEWTYME) - see particularly line 68 of column 1 to line 14 of column 2
A	-	US 5933086 A (SCHLAGE) - see particularly figure 1

Categories:

X	Document indicating lack of novelty or inventive step	A	Document indicating technological background and/or state of the art
Y	Document indicating lack of inventive step if combined with one or more other documents of same category	P	Document published on or after the declared priority date but before the filing date of this invention
&	Member of the same patent family	E	Patent document published on or after, but with priority date earlier than, the filing date of this application

Field of Search:

Search of GB, EP, WO & US patent documents classified in the following areas of the UKC^X:

E2A

Worldwide search of patent documents classified in the following areas of the IPC⁰⁷

E05B; G07C

The following online and other databases have been used in the preparation of this search report

EPODOC, WPI