



(12) **United States Design Patent**
Rollinson et al.

(10) **Patent No.:** **US D905,184 S**
(45) **Date of Patent:** **** Dec. 15, 2020**

- (54) **PUTTER HEAD**
- (71) Applicant: **Callaway Golf Company**, Carlsbad, CA (US)
- (72) Inventors: **Augustin W. Rollinson**, Solana Beach, CA (US); **Oliver G. Brewer**, San Diego, CA (US)
- (73) Assignee: **Callaway Golf Company**, Carlsbad, CA (US)
- (**) Term: **15 Years**
- (21) Appl. No.: **29/698,679**
- (22) Filed: **Jul. 18, 2019**
- (51) **LOC (12) Cl.** **21-02**
- (52) **U.S. Cl.**
USPC **D21/744**
- (58) **Field of Classification Search**
USPC D21/736-746, 759
CPC A63B 53/00; A63B 53/04; A63B 53/007; A63B 53/065; A63B 53/0487; A63B 60/00; A63B 60/46
See application file for complete search history.

D638,892 S *	5/2011	Hettinger	D21/743
D643,893 S *	8/2011	Rollinson	D21/742
D648,407 S *	11/2011	Teramoto	D21/743
D688,339 S *	8/2013	Hilton	D21/736
D689,574 S *	9/2013	Rollinson	D21/743
D702,782 S *	4/2014	Wempe	D21/743
9,033,812 B2 *	5/2015	Solheim	A63B 53/0487 473/238
D736,876 S *	8/2015	Rollinson	D21/759
D769,383 S *	10/2016	Abbott	D21/743
D796,597 S *	9/2017	Serrano	D21/736
D817,425 S *	5/2018	Toulon	D21/759
D818,551 S *	5/2018	Toulon	D21/759
D832,379 S *	10/2018	Jertson	D21/736
D837,315 S *	1/2019	Rollinson	D21/743
D857,135 S *	8/2019	Serrano	D21/736
D859,544 S *	9/2019	Wang	D21/736
D860,351 S *	9/2019	Rollinson	D21/743
D865,090 S *	10/2019	Rollinson	D21/743

(Continued)

Primary Examiner — Mitchell I. Siegel
(74) *Attorney, Agent, or Firm* — Rebecca Hanovice; Michael Catiana; Sonia Lari

(57) **CLAIM**

The ornamental design for a putter head, as shown and described.

DESCRIPTION

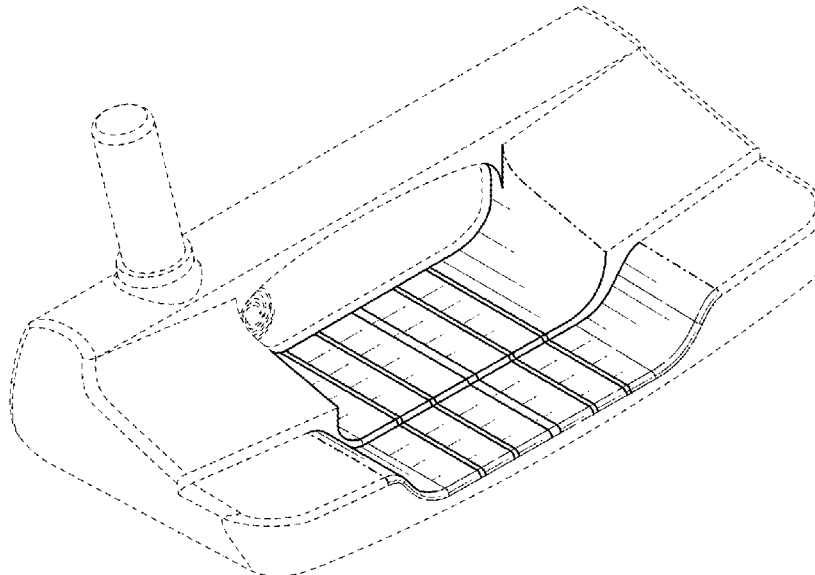
FIG. 1 is a top perspective view of the putter head claimed herein;
FIG. 2 is a rear elevational view thereof;
FIG. 3 is a front elevational view thereof;
FIG. 4 is a right side elevational view thereof;
FIG. 5 is a left side elevational view thereof;
FIG. 6 is a top plan view thereof; and,
FIG. 7 is a bottom plan view thereof.
The broken line shown form no part of the claimed design. The dash-dot lines represent the boundary and form no part of the claimed design.

1 Claim, 4 Drawing Sheets

(56) **References Cited**

U.S. PATENT DOCUMENTS

D207,227 S *	3/1967	Solheim	D21/739
D389,207 S *	1/1998	Cameron	D21/742
D399,899 S *	10/1998	Sizemore, Jr.	D21/742
D426,599 S *	6/2000	Morgan	D21/736
D443,906 S *	6/2001	Hettinger	D21/743
D498,276 S *	11/2004	Schweigert	D21/743
D521,580 S *	5/2006	Burrows	D21/736
D535,712 S *	1/2007	Toroussian	D21/749
D548,294 S *	8/2007	Nguyen	D21/736
D552,196 S *	10/2007	Hueber	D21/742
D583,887 S *	12/2008	Cameron	D21/743
D590,462 S *	4/2009	Hettinger	D21/743



(56)

References Cited

U.S. PATENT DOCUMENTS

D869,581	S	*	12/2019	Aguilar	D21/743
D869,582	S	*	12/2019	Rollinson	D21/743
D869,583	S	*	12/2019	Rollinson	D21/743
D873,358	S	*	1/2020	Lee	D21/744
D874,590	S	*	2/2020	Lee	D21/743
D898,845	S	*	10/2020	Clarke	D21/743
D898,846	S	*	10/2020	Clarke	D21/743
D898,847	S	*	10/2020	Clarke	D21/743

* cited by examiner

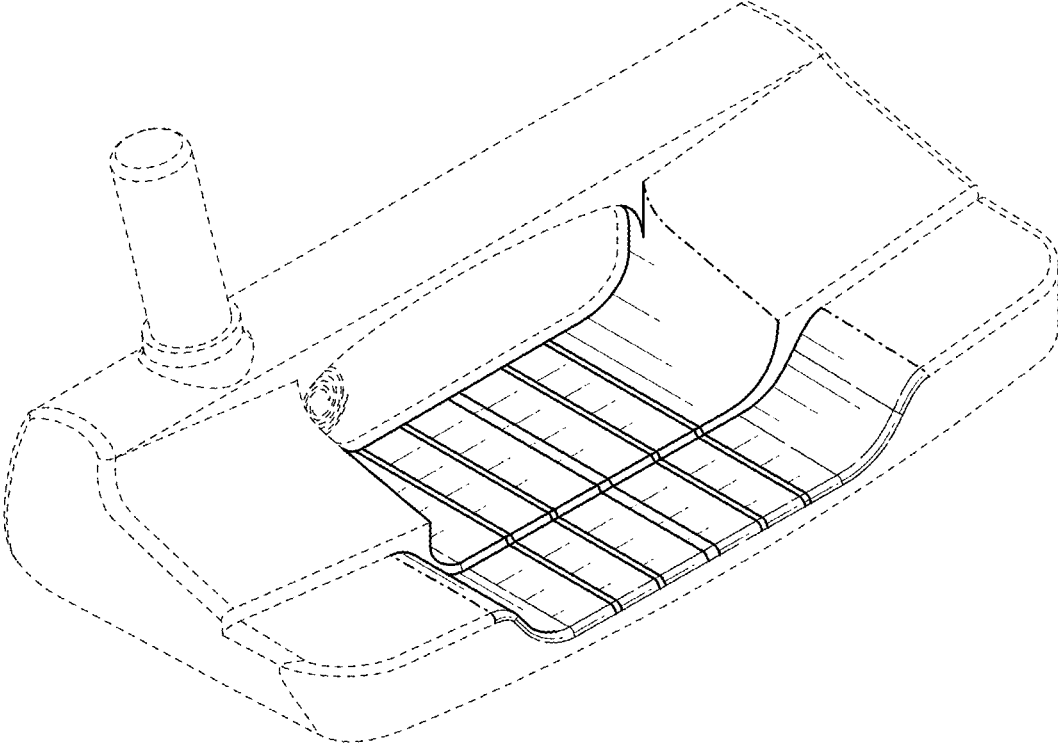


FIG. 1

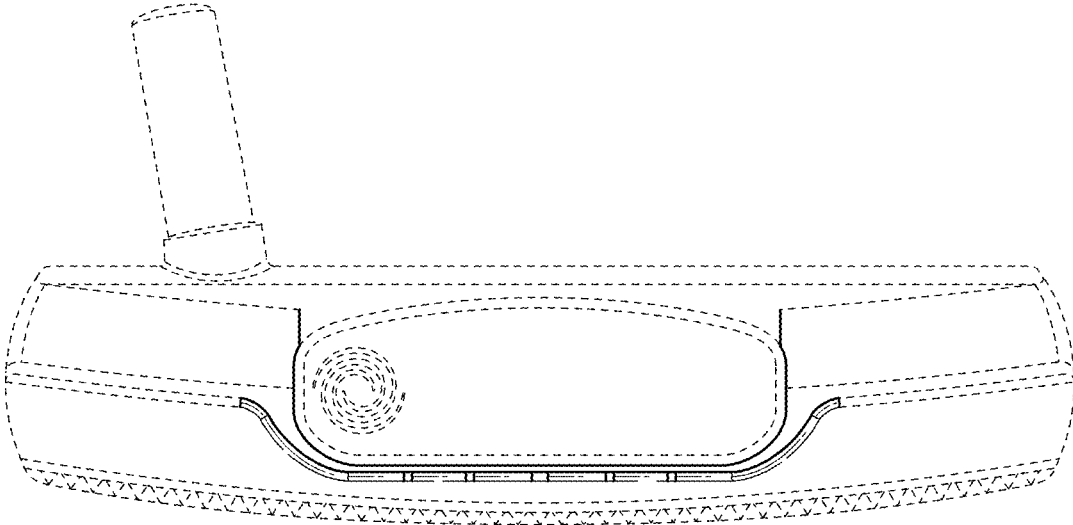


FIG. 2

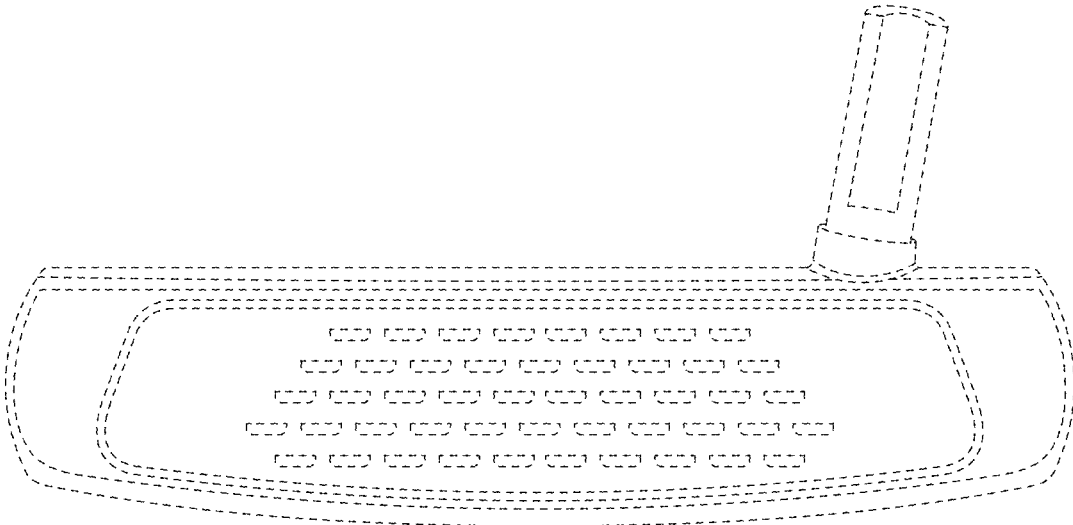


FIG. 3

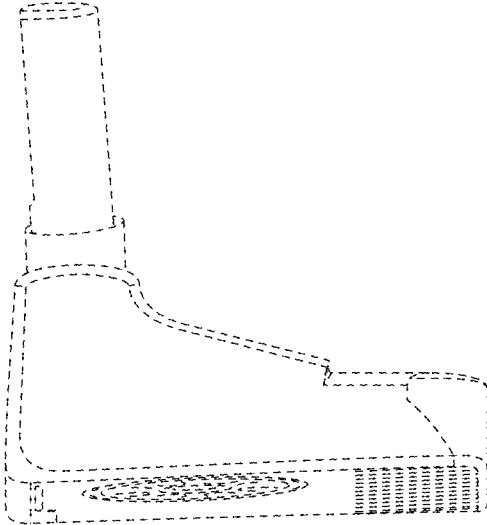


FIG. 4

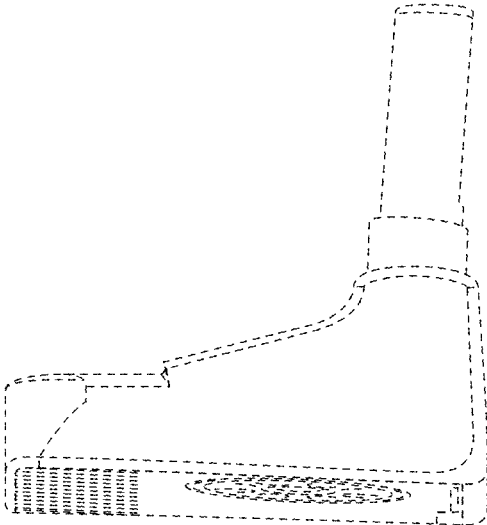


FIG. 5

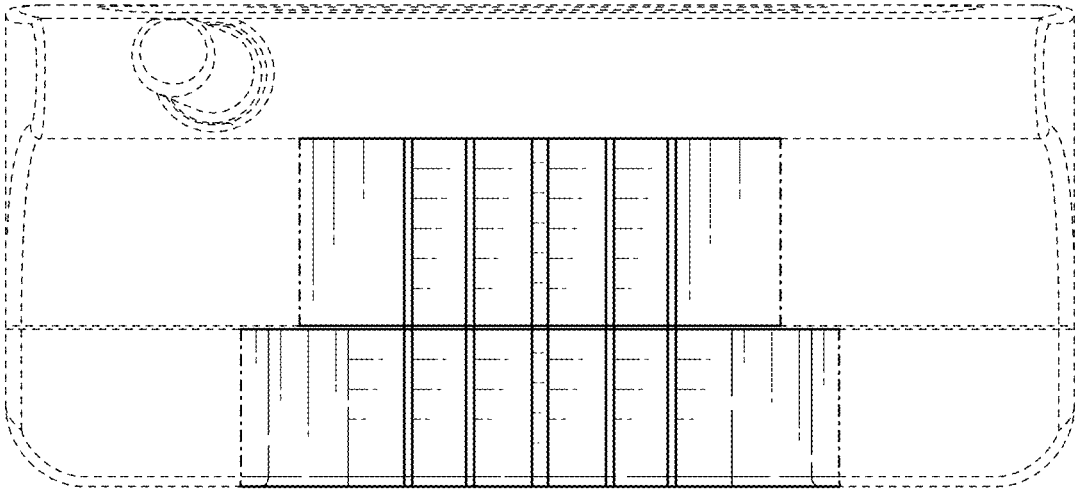


FIG. 6

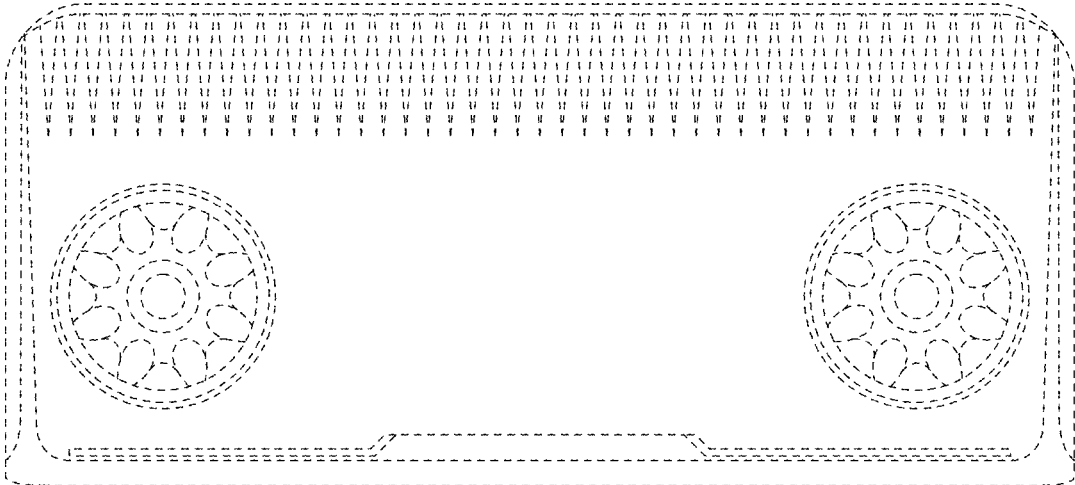


FIG. 7