



US00D891946S

(12) **United States Design Patent**  
**Song et al.**

(10) **Patent No.:** **US D891,946 S**  
(45) **Date of Patent:** **\*\* Aug. 4, 2020**

(54) **HANDHELD INSPECTION DEVICE**

A63B 2220/12; A63B 2220/18; A63B  
2220/72; A63B 2220/73; A63B 2220/76;  
A63B

(71) Applicant: **FLIR Systems AB**, Täby (SE)

(Continued)

(72) Inventors: **Xuan Song**, Shanghai (CN); **Zhenmei Mao**, Surrey (CA); **Yuan Lung Li**, Taipei (TW); **Victor Ku**, Yorktown Heights, NY (US)

(56) **References Cited**

U.S. PATENT DOCUMENTS

D446,135 S \* 8/2001 Chen ..... G01N 33/0016  
D10/57  
6,729,196 B2\* 5/2004 Moler ..... B01D 21/2455  
73/863.22

(Continued)

(73) Assignee: **FLIR Systems AB**, Täby (SE)

(\*\*) Term: **15 Years**

(21) Appl. No.: **29/675,360**

OTHER PUBLICATIONS

(22) Filed: **Dec. 31, 2018**

“FLIR MR176”, FLIR, [retrieved on Feb. 28, 2019], 2 pages  
[online]. Retrieved from the Internet: <<https://www.flir.com/globalassets/imported-assets/document/mr176-sell-sheet.pdf>>.

(51) **LOC (12) Cl.** ..... **10-04**

(52) **U.S. Cl.**

USPC ..... **D10/52**; 53/56; 53/57; 53/70; 53/78

(Continued)

(58) **Field of Classification Search**

USPC ..... D10/52, 53, 56, 57, 70, 78

CPC .. G06F 3/0488; G06F 9/4443; G06F 9/44505;

G09G 5/377; G01B 7/00; G01B 17/02;

G01N 27/9046; G01N 27/9073; G01N

29/043; G01N 2291/02854; G01N

2291/0258; G01N 27/048; G01N 27/223;

G01C 3/00; G01C 3/02; G01C 3/04;

G01C 3/06; G01C 3/08; G01C 3/085;

G01C 3/10; G01C 3/12; G01C 3/16;

G01C 3/18; G01C 3/20; G01C 3/22;

G01C 3/24; G01C 3/26; G01C 3/28;

G01C 3/30; G01C 3/32; G01C 15/002;

G01C 15/004; G01C 15/006; G01C

15/008; G01C 15/02; G01S 7/4811; G01S

7/4813; G01S 7/4814; G01S 7/4816;

G01S 7/486; G01S 7/4861; G01S 7/4863;

G01S 7/48; G01S 7/51; G01S 7/4873;

G01S 7/497; G01S 17/023; G01S 17/10;

G01S 17/105; G01S 19/19; G02B 23/00;

G02B 23/14; G02B 23/16; F41G 1/00;

F41G 1/46; F41G 1/473; F41G 3/06;

F41G 3/065; A63B 71/06; A63B 71/0669;

*Primary Examiner* — Antoine Duval Davis

(74) *Attorney, Agent, or Firm* — Haynes and Boone, LLP

(57) **CLAIM**

The ornamental design for a handheld inspection device, as shown and described.

**DESCRIPTION**

FIG. 1 is a front-right-top perspective view of a handheld inspection device embodying the new design;

FIG. 2 is a front-left-bottom perspective view thereof;

FIG. 3 is a front elevational view thereof;

FIG. 4 is a rear elevational view thereof;

FIG. 5 is a left side view thereof;

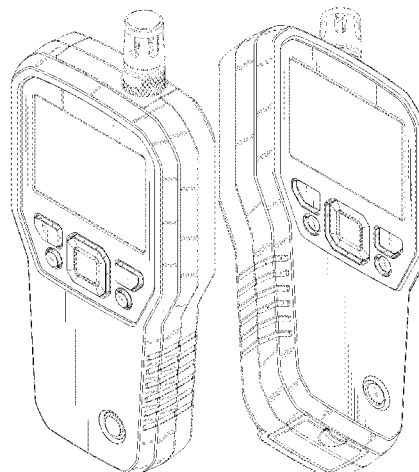
FIG. 6 is a right side view thereof;

FIG. 7 is a top plan view thereof; and,

FIG. 8 is a bottom plan view thereof.

The broken lines in the figures are shown for the purpose of illustrating portions of the handheld inspection device and/or environmental matter and form no part of the claimed

(Continued)



design. The dot-dash broken lines define the bounds of the claimed design and form no part thereof.

**1 Claim, 8 Drawing Sheets**

(58) **Field of Classification Search**

CPC ..... 2220/20; A63B 2220/805; A63B 2102/32;  
 F24F 11/0015; F24F 11/001; F24F  
 11/0012; F24F 2011/0016; F24F  
 2011/0061; F24F 2011/0063; F24F  
 2011/0064; F24F 2011/0091; F24F  
 2011/0093; F24F 2011/0094; F24F  
 2221/17; F24F 2221/26; G05D 23/1902;  
 G05D 23/1917; G05D 23/1909; G05D  
 23/1927; G05D 22/00; G05D 22/02  
 See application file for complete search history.

(56)

**References Cited**

U.S. PATENT DOCUMENTS

7,178,381 B2 \* 2/2007 Tajima ..... G01N 1/2205  
 73/31.02  
 7,281,404 B2 \* 10/2007 Peng ..... G01N 33/00  
 73/1.06

D597,865 S \* 8/2009 Bernard ..... G01N 33/00  
 D10/52  
 D597,866 S \* 8/2009 Bernard ..... D10/52  
 D749,001 S \* 2/2016 Chu ..... G01N 1/2205  
 D10/52  
 D788,605 S \* 6/2017 Rouillard ..... B01D 21/2455  
 D10/57  
 D793,884 S 8/2017 Verity et al.  
 9,952,125 B2 \* 4/2018 Caruso ..... G01N 33/0016  
 D821,894 S 7/2018 Verity et al.  
 D850,299 S \* 6/2019 Zhang ..... D10/52

OTHER PUBLICATIONS

“FLIR MR60”, FLIR, [retrieved on Feb. 28, 2019], 2 pages [online].  
 Retrieved from the Internet: <<https://www.flir.com/globalassets/imported-assets/document/flir-mr60-datasheet.pdf>>.  
 “FLIR MR77”, FLIR, [retrieved on Feb. 28, 2019], 2 pages [online].  
 Retrieved from the Internet: <<https://www.flir.com/globalassets/imported-assets/document/flir-mr77-datasheet.pdf>>.

\* cited by examiner

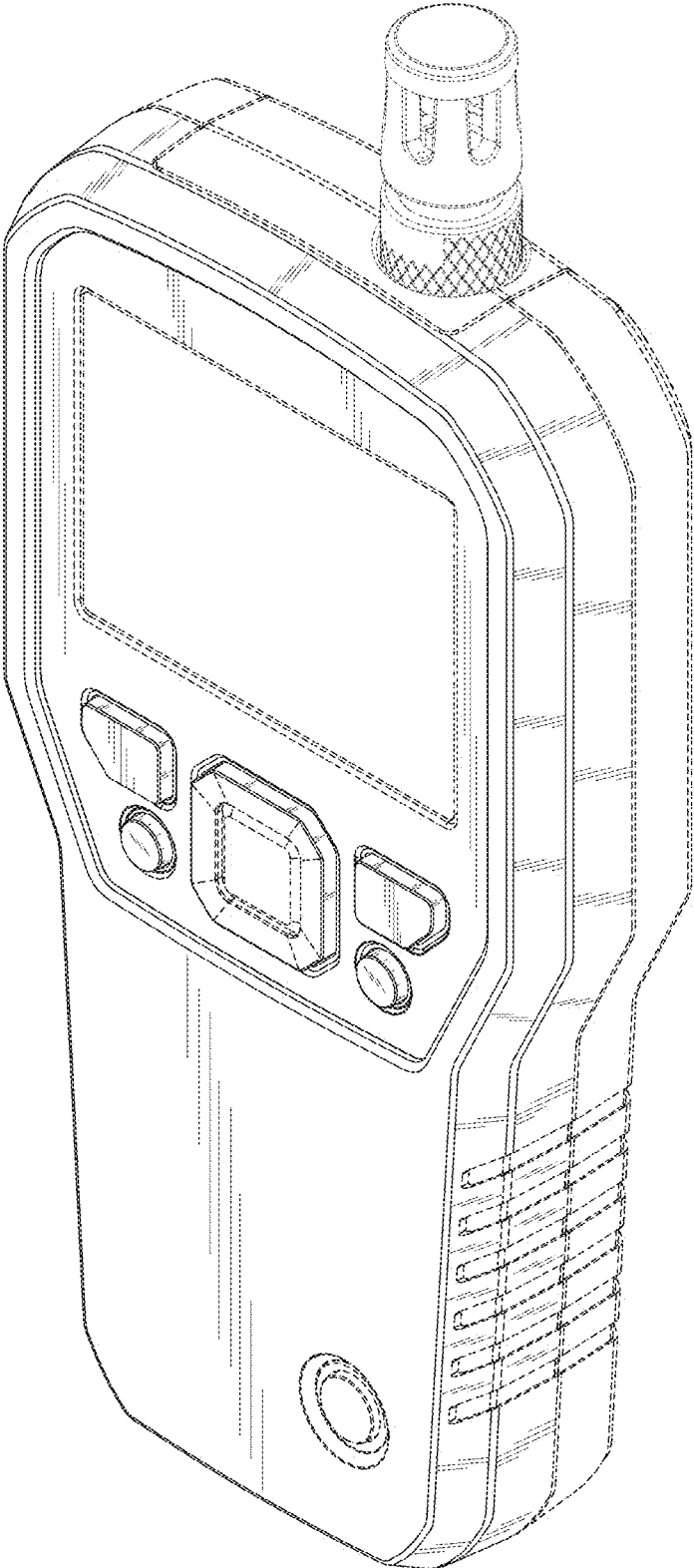


FIG. 1

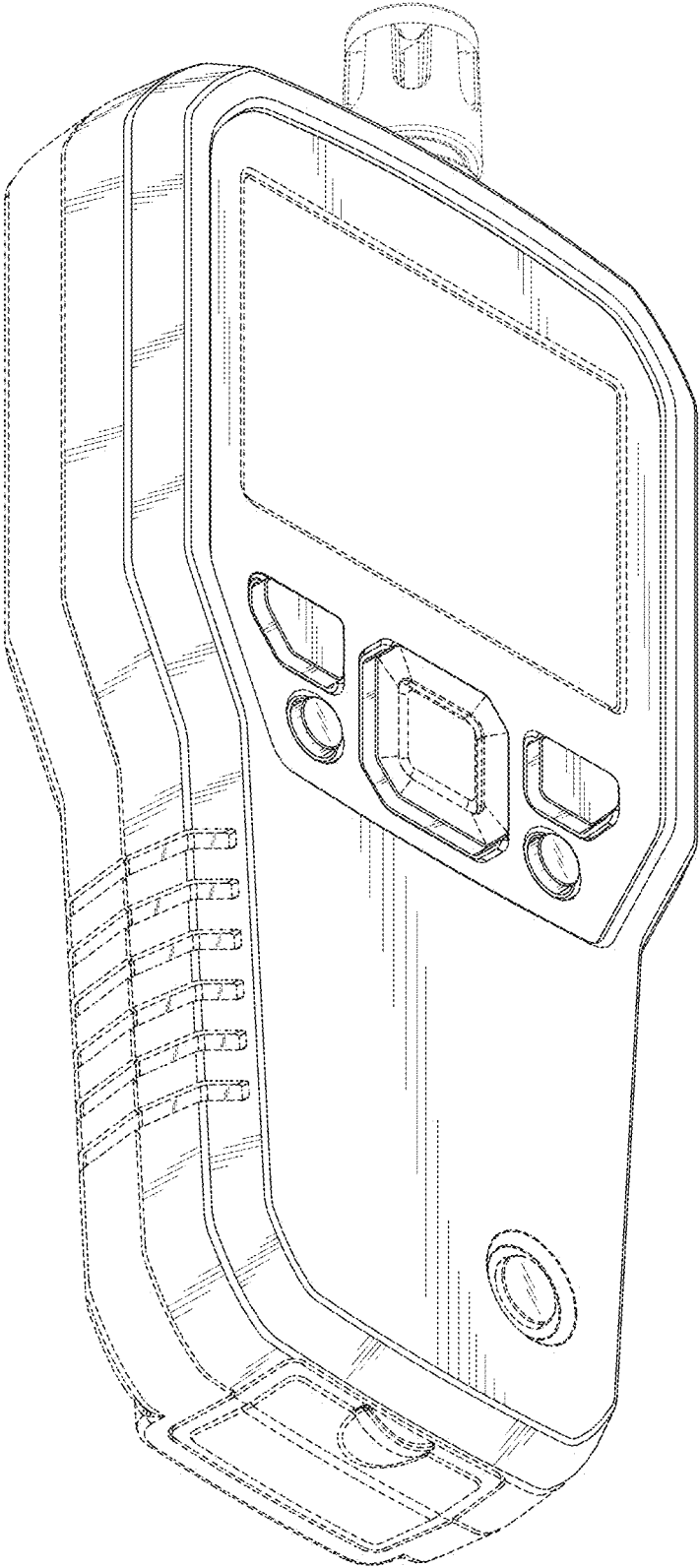


FIG. 2

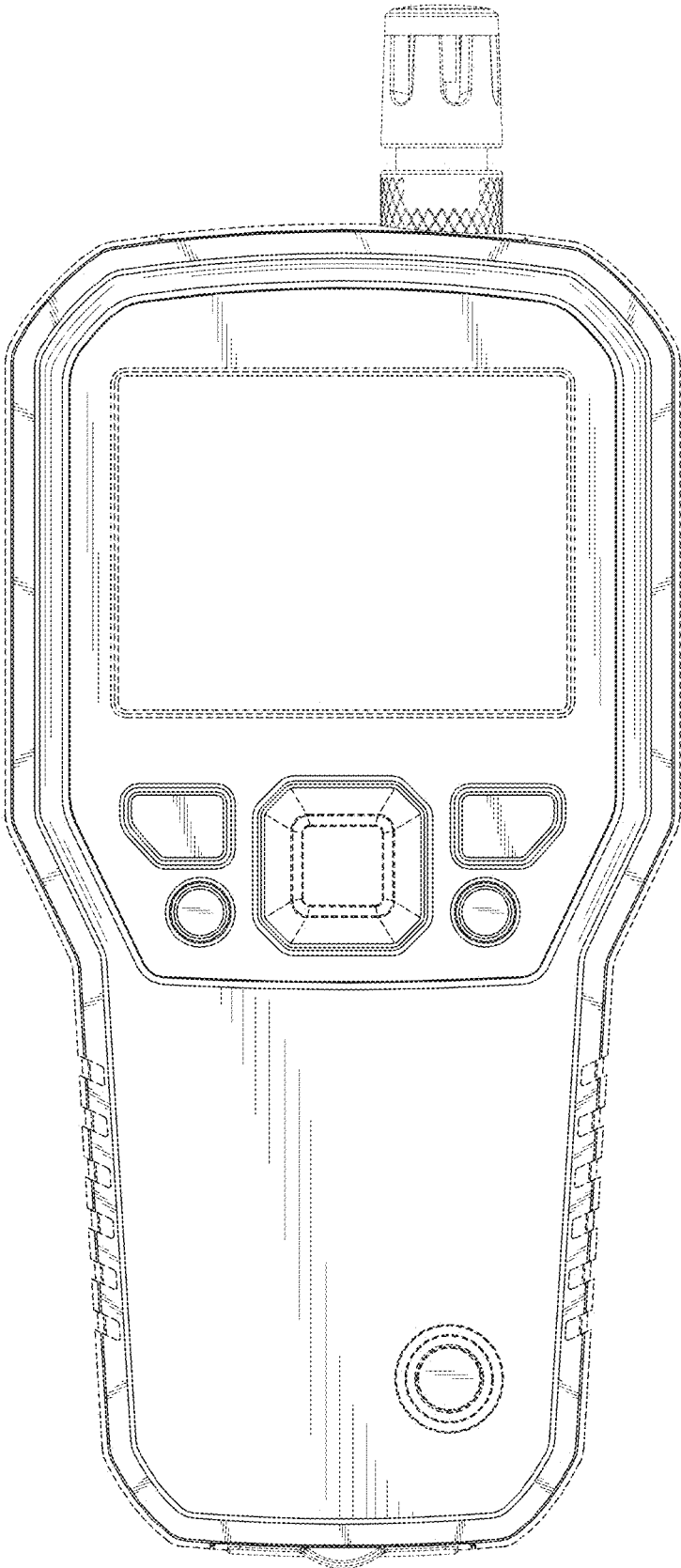


FIG. 3

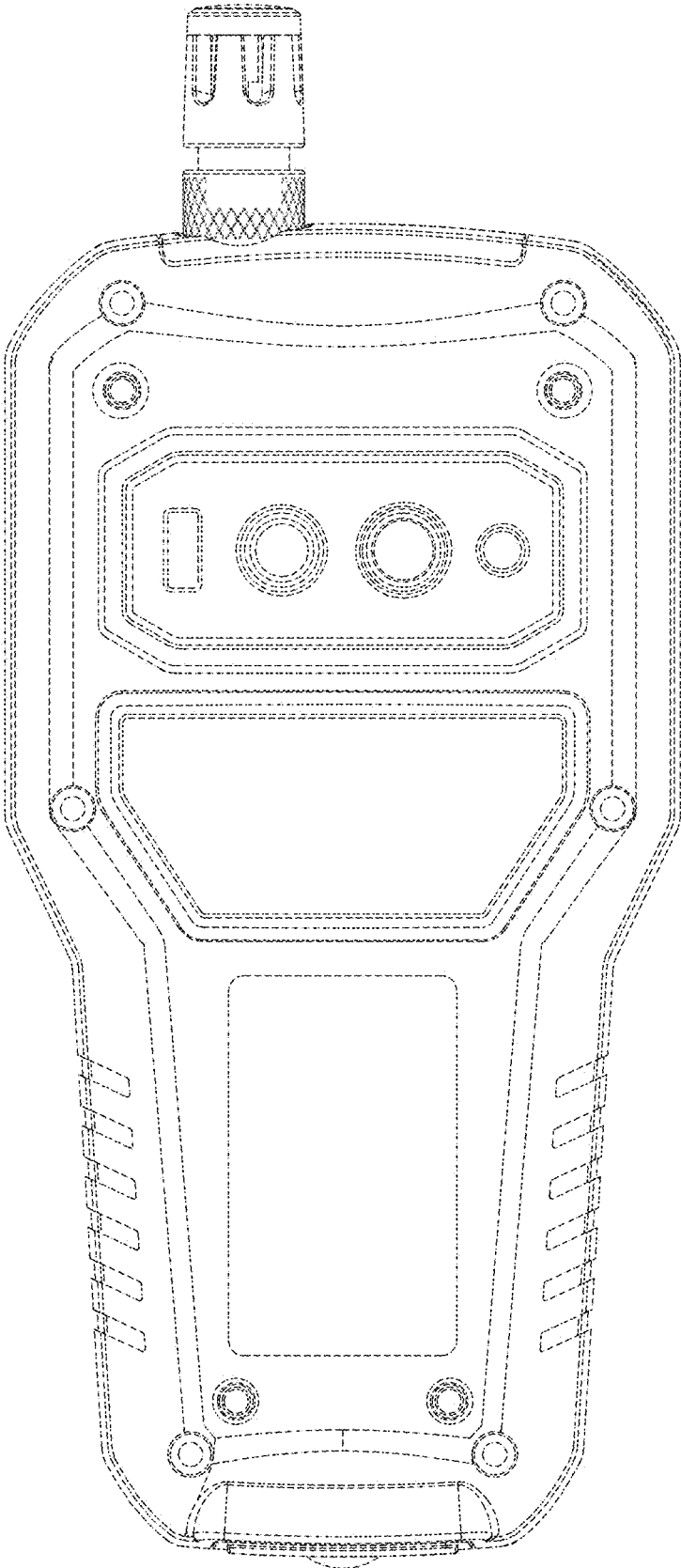


FIG. 4

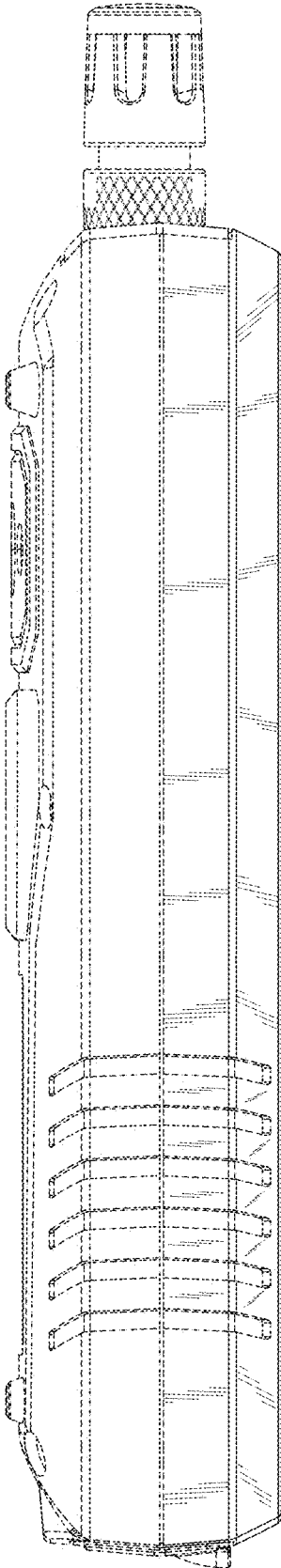


FIG. 5

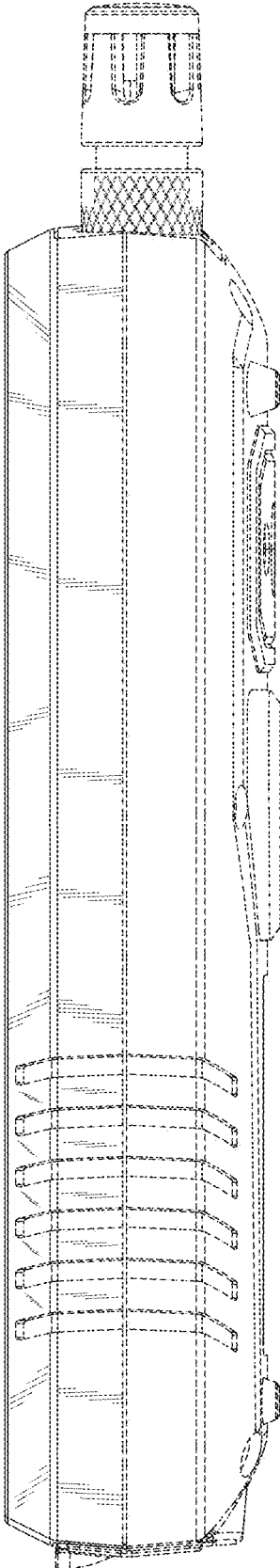


FIG. 6



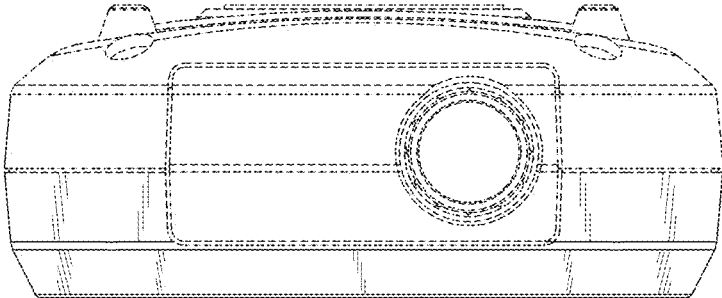


FIG. 7

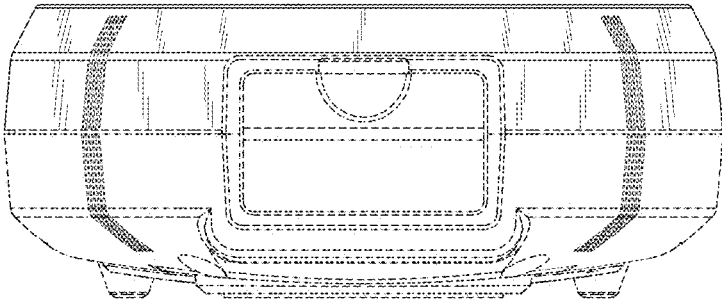


FIG. 8