



US00D918045S

(12) **United States Design Patent**
Yourist

(10) **Patent No.:** **US D918,045 S**

(45) **Date of Patent:** **** May 4, 2021**

(54) **CONTAINER**

(71) Applicant: **Graham Packaging Company, L.P.**,
Lancaster, PA (US)

(72) Inventor: **Sheldon E. Yourist**, York, PA (US)

(73) Assignee: **Graham Packaging Company, L.P.**,
Lancaster, PA (US)

(**) Term: **15 Years**

(21) Appl. No.: **29/682,406**

(22) Filed: **Mar. 5, 2019**

(51) **LOC (13) Cl.** **09-01**

(52) **U.S. Cl.**

USPC **D9/523; D9/528; D9/574**

(58) **Field of Classification Search**

USPC D9/521, 523, 528, 529, 544, 550, 574,
D9/500, 531, 543, 560, 563, 575, 905,
D9/907, 527; D7/300, 300.1, 510, 598;
D23/211.1, 211.2; 215/398, 381;
D34/39; D11/62; 206/0.6; 220/6

CPC B65D 1/0223; B65D 23/10; B65D
2501/0081; B65D 21/0231; B65D 1/0284;
A47J 43/27; A47J 41/0077; A47J 19/023

See application file for complete search history.

(56) **References Cited**

U.S. PATENT DOCUMENTS

D195,280 S * 5/1963 Bodenheimer D9/520
D202,660 S * 10/1965 Dike D9/520
D207,243 S * 3/1967 Kelly D9/528

(Continued)

FOREIGN PATENT DOCUMENTS

DE 202011052413 U1 1/2012
GB 2055052 * 7/1996

(Continued)

OTHER PUBLICATIONS

Reliance Aqua-Tainers:Simple and Cheap Water Storage Option (YouTube), available Apr. 9, 2016, [online], [site visited Jun. 25, 2020], Video available from internet, URL: <https://www.youtube.com/watch?v=DKTNsOVwUgc> (Year: 2016).*

(Continued)

Primary Examiner — Brett Miller

Assistant Examiner — Rani J Abdallah

(74) *Attorney, Agent, or Firm* — Baker Botts L.L.P.

(57) **CLAIM**

The ornamental design for a container, as shown and described.

DESCRIPTION

FIG. 1 is a front left perspective view of a container of the present invention.

FIG. 2 is a front view of the container of FIG. 1.

FIG. 3 is a rear view of the container of FIG. 1.

FIG. 4 is a left view of the container of FIG. 1.

FIG. 5 is a right view of the container of FIG. 1.

FIG. 6 is a top view of the container of FIG. 1.

FIG. 7 is a bottom view of the container of FIG. 1.

FIG. 8 is a front right perspective view of the container of FIG. 1.

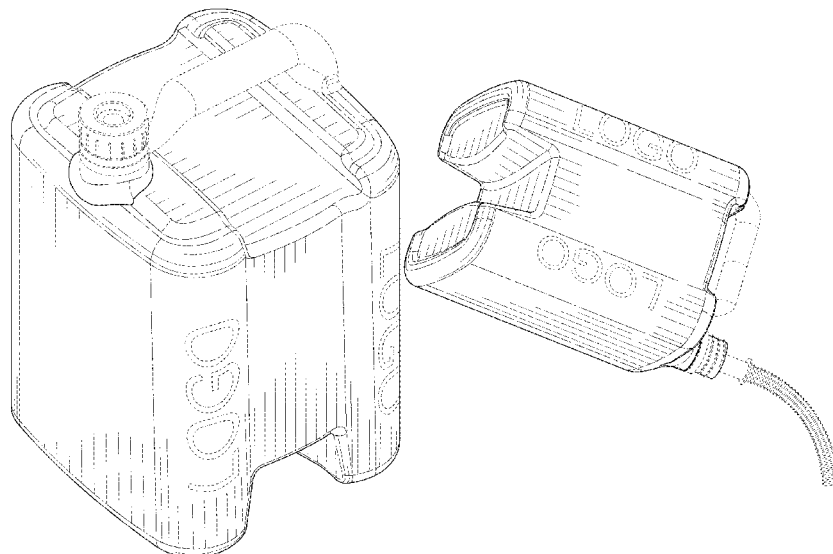
FIG. 9 is a perspective view of the containers of FIG. 1 in a stacked relationship.

FIG. 10 is an elevated rear perspective view of the container of FIG. 1 in a pouring configuration; and,

FIG. 11 is an elevated rear perspective view of the container of FIG. 1 in a pouring configuration with a dispensing nozzle extended. The dispensing nozzle is shown in broken lines to depict an unclaimed portion of the container and forms no part of the claimed design.

The broken lines are shown to indicate unclaimed portions of the container and form no part of the claimed design.

1 Claim, 11 Drawing Sheets



(56)

References Cited

U.S. PATENT DOCUMENTS

3,369,688 A * 2/1968 Dike B65D 21/0231
215/10
3,400,846 A * 9/1968 Kelly B65D 1/20
215/398
D242,324 S * 11/1976 Gartin D9/520
4,213,532 A 7/1980 Eggert et al.
D262,923 S 2/1982 Broilliard
D277,552 S * 2/1985 Kung D9/524
D278,887 S 5/1985 Steiner
D282,244 S 1/1986 Santoiemmo
D282,347 S 1/1986 Steiner
D286,615 S 11/1986 Lyons
4,805,793 A * 2/1989 Brandt B65D 21/0231
206/509
4,989,738 A 2/1991 Thayer
5,114,028 A * 5/1992 Ring B65D 1/18
215/398
5,299,710 A 4/1994 Welsch
D361,720 S 8/1995 Rokus et al.
D371,967 S * 7/1996 Miller D9/520
D373,532 S * 9/1996 Miller D9/528
D378,494 S * 3/1997 Miller D9/528
D382,061 S 8/1997 Mathis et al.
D391,165 S 2/1998 Walker
5,794,818 A 8/1998 Bromwell
6,029,858 A * 2/2000 Srokose B65D 1/18
222/143
D428,341 S 7/2000 Boutin
D434,326 S 11/2000 Smorch
D454,789 S * 3/2002 Harvey D9/524
6,588,612 B1 * 7/2003 Dorn B65D 1/18
206/509
D479,468 S * 9/2003 Dorn D9/531
D485,189 S 1/2004 Montalbano et al.
D527,639 S * 9/2006 Voss B65D 1/18
D9/528
D573,028 S * 7/2008 Brioussel D9/527
D573,885 S * 7/2008 Considine B65D 25/2897
D9/528
D604,385 S 11/2009 Fontaine
D620,806 S * 8/2010 Ferguson D9/528
D631,358 S * 1/2011 Voelker D9/528
D662,825 S * 7/2012 Murphy D9/528
D670,170 S 11/2012 Voelker
D672,657 S 12/2012 Hall
D687,712 S 8/2013 Juna et al.
D729,900 S * 5/2015 Hooper D23/211.1
D735,049 S * 7/2015 Cornelius D9/652
D751,913 S 3/2016 Seecof
D767,401 S 9/2016 Yourist
D767,992 S * 10/2016 Hegarty D9/527
D781,155 S 3/2017 Hegarty
9,637,302 B2 * 5/2017 Kuhar B65D 25/2858
D808,811 S * 1/2018 Morris D9/528

D813,043 S * 3/2018 Higgins D9/528
D817,769 S * 5/2018 Hegarty D9/531
10,252,834 B2 * 4/2019 Yourist B65D 1/20
D858,290 S * 9/2019 Hentges D9/528
2006/0255000 A1 11/2006 Quintana
2007/0023384 A1 * 2/2007 Janeczek B65D 1/12
215/373
2007/0023385 A1 * 2/2007 Janeczek B65D 23/10
215/398
2007/0261983 A1 * 11/2007 Flanagan-Kent
B65D 21/0231
206/510
2008/0073317 A1 3/2008 Dygert et al.
2013/0068764 A1 * 3/2013 Kuhar B65D 25/2897
220/23.83
2014/0027336 A1 1/2014 Bou Mezrag
2016/0176574 A1 * 6/2016 Yourist B65D 25/2826
206/511
2017/0334601 A1 * 11/2017 Nenna B29C 45/26
2018/0362227 A1 * 12/2018 Scanish B65D 21/0231

FOREIGN PATENT DOCUMENTS

GB 2055053 * 7/1996
KR 300913972.0000 * 7/2017
KR 300940542.0000 * 1/2018

OTHER PUBLICATIONS

U.S. Appl. No. 29/492,243 (D. 767,401), filed May 29, 2014 (Sep. 27, 2016).
U.S. Appl. No. 29/548,960 (D. 794,445), filed Dec. 17, 2015 (Aug. 15, 2017).
U.S. Appl. No. 29/548,963 (D. 793,859), filed Dec. 17, 2015 (Aug. 8, 2017).
U.S. Appl. No. 29/492,243, Aug. 24, 2016 Issue Fee Payment.
U.S. Appl. No. 29/492,243, May 25, 2016 Notice of Allowance.
U.S. Appl. No. 29/492,243, Apr. 29, 2016 Response after Final Office Action.
U.S. Appl. No. 29/492,243, Feb. 29, 2016 Final Office Action.
U.S. Appl. No. 29/492,243, Jan. 22, 2016 Response to Non-Final Office Action.
U.S. Appl. No. 29/492,243, Oct. 23, 2015 Non-Final Office Action.
U.S. Appl. No. 29/548,960, Dec. 1, 2016 Non-Final Office Action.
U.S. Appl. No. 29/548,960, Feb. 28, 2017 Response to Non-Final Office Action.
U.S. Appl. No. 29/548,960, Mar. 28, 2017 Notice of Allowance.
U.S. Appl. No. 29/548,960, Jun. 27, 2017 Issue Fee Payment.
U.S. Appl. No. 29/548,963, Dec. 2, 2016 Non-Final Office Action.
U.S. Appl. No. 29/548,963, Mar. 1, 2017 Response to Non-Final Office Action.
U.S. Appl. No. 29/548,963, Mar. 28, 2017 Notice of Allowance.
U.S. Appl. No. 29/548,963, Jun. 27, 2017 Issue Fee Payment.
International Search Report and Written Opinion dated Mar. 11, 2016 in International Application No. PCT/US15/66677.

* cited by examiner

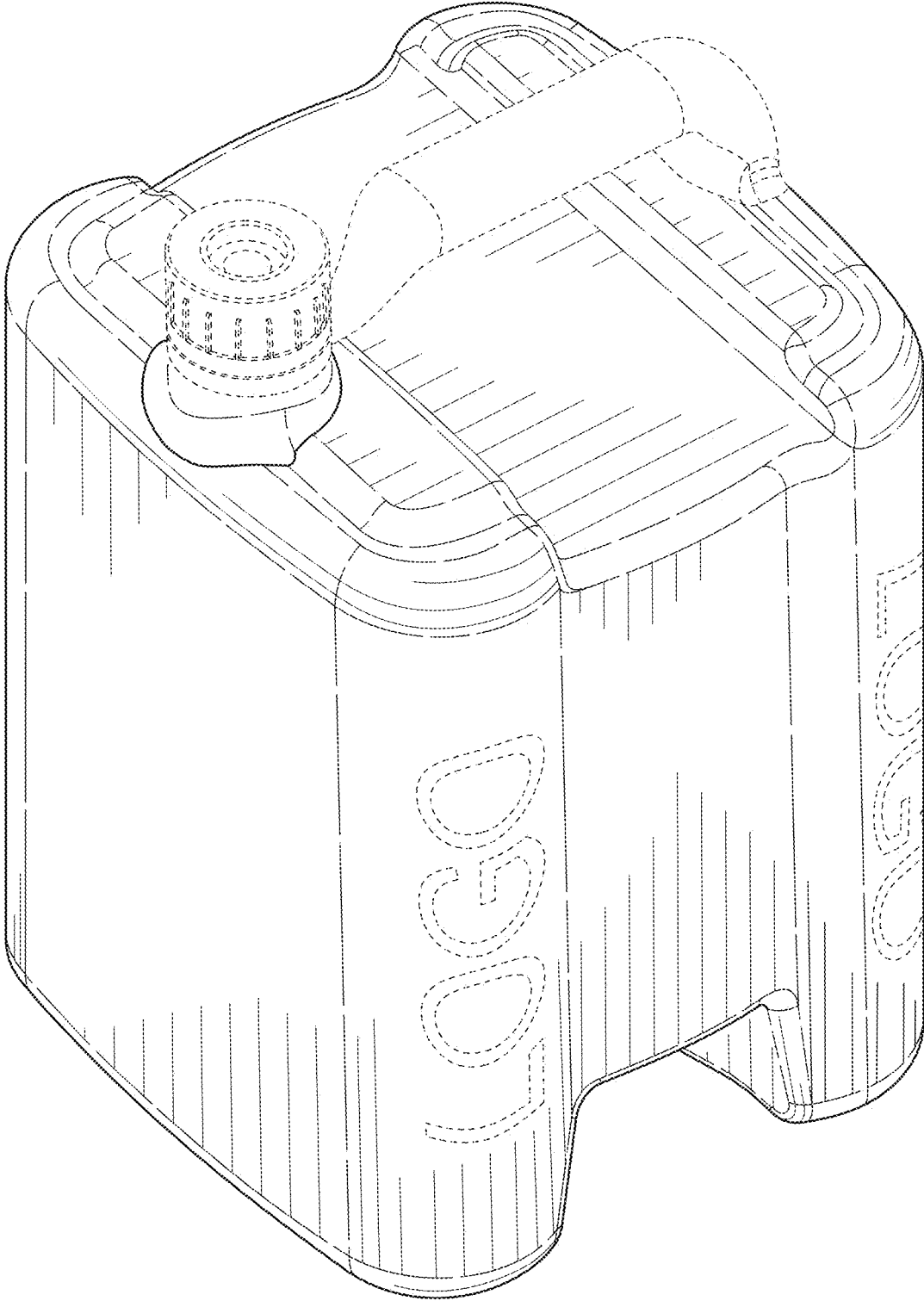


FIG. 1

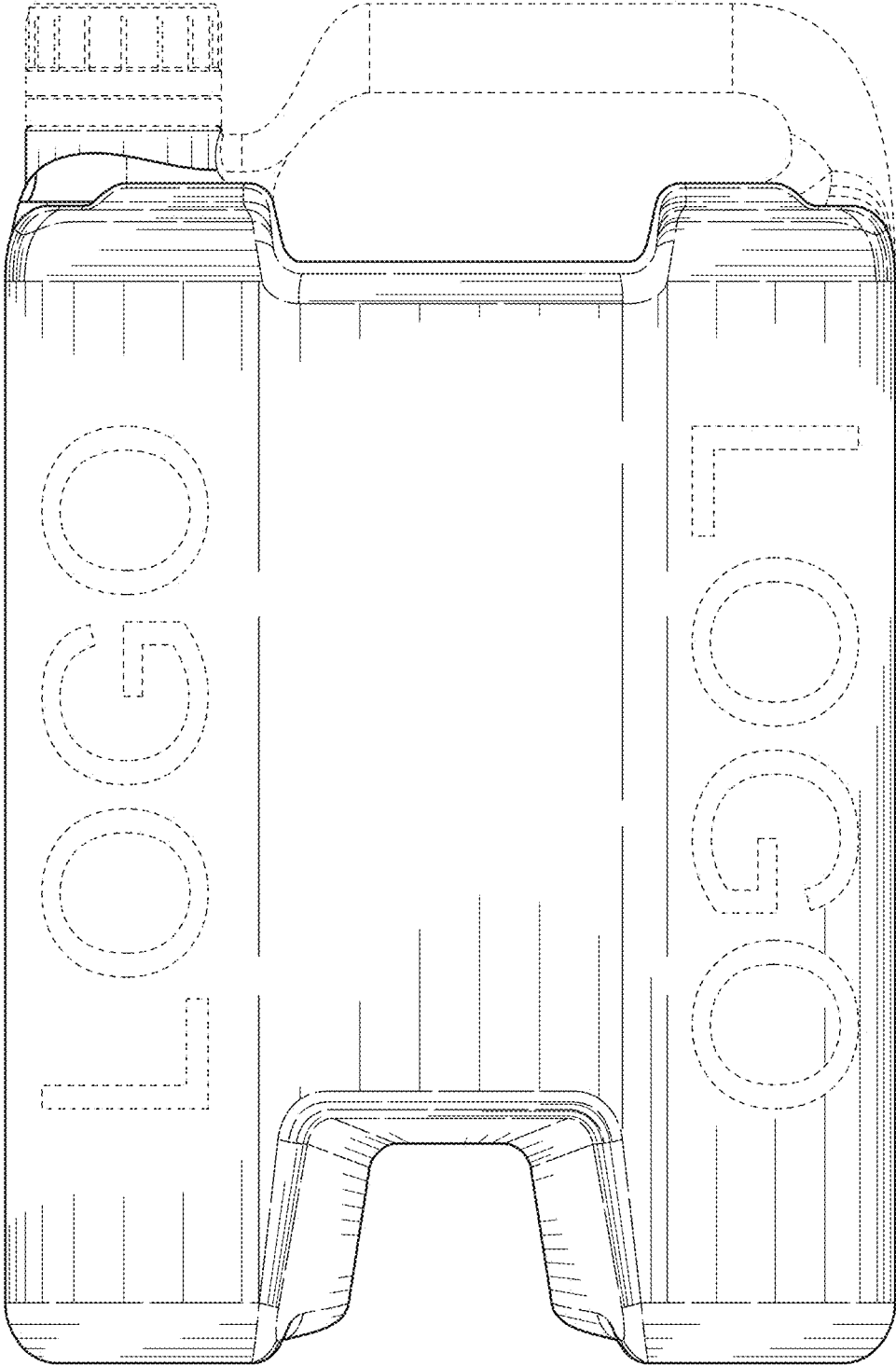


FIG. 2

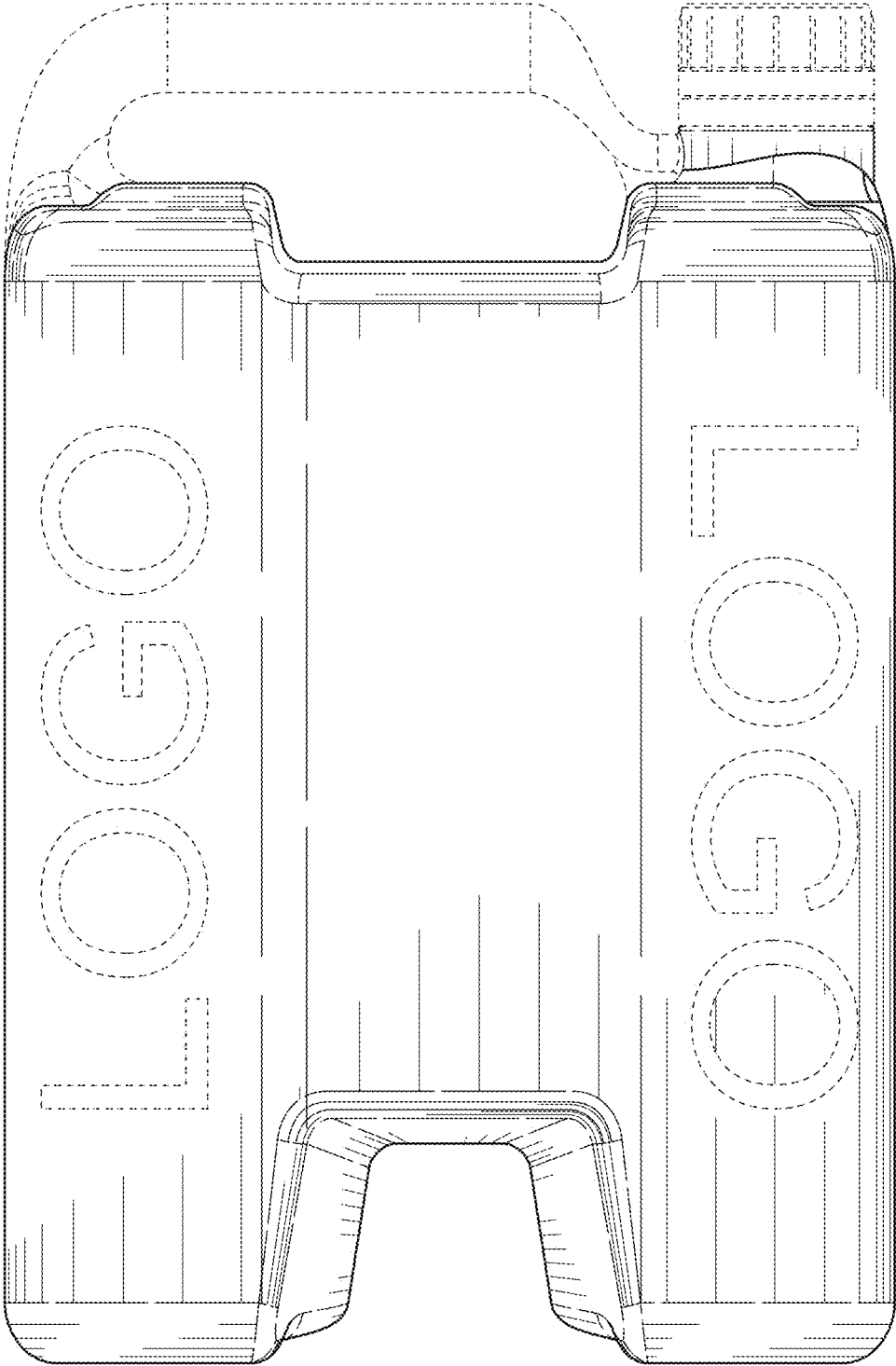


FIG. 3

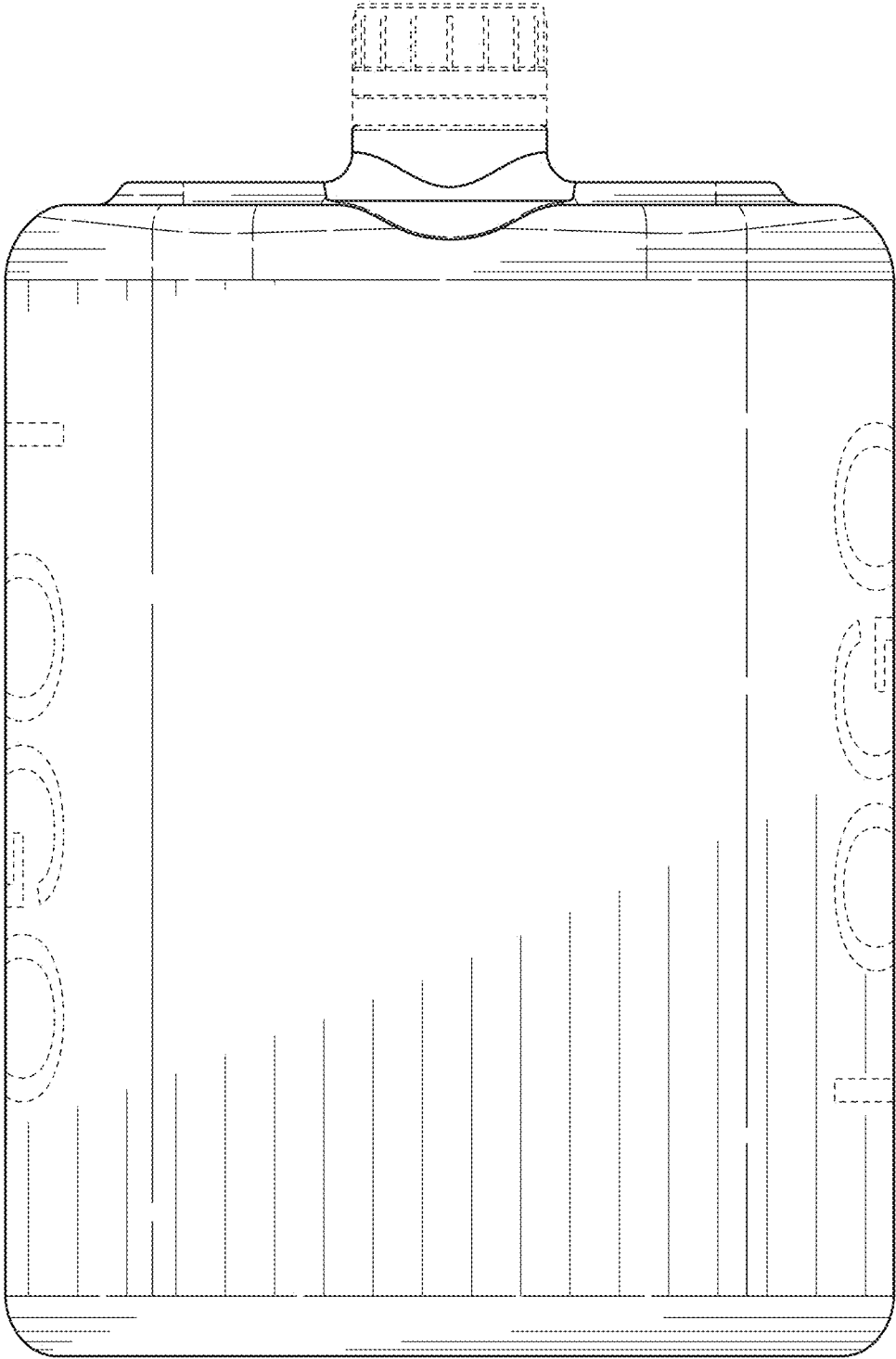


FIG. 4

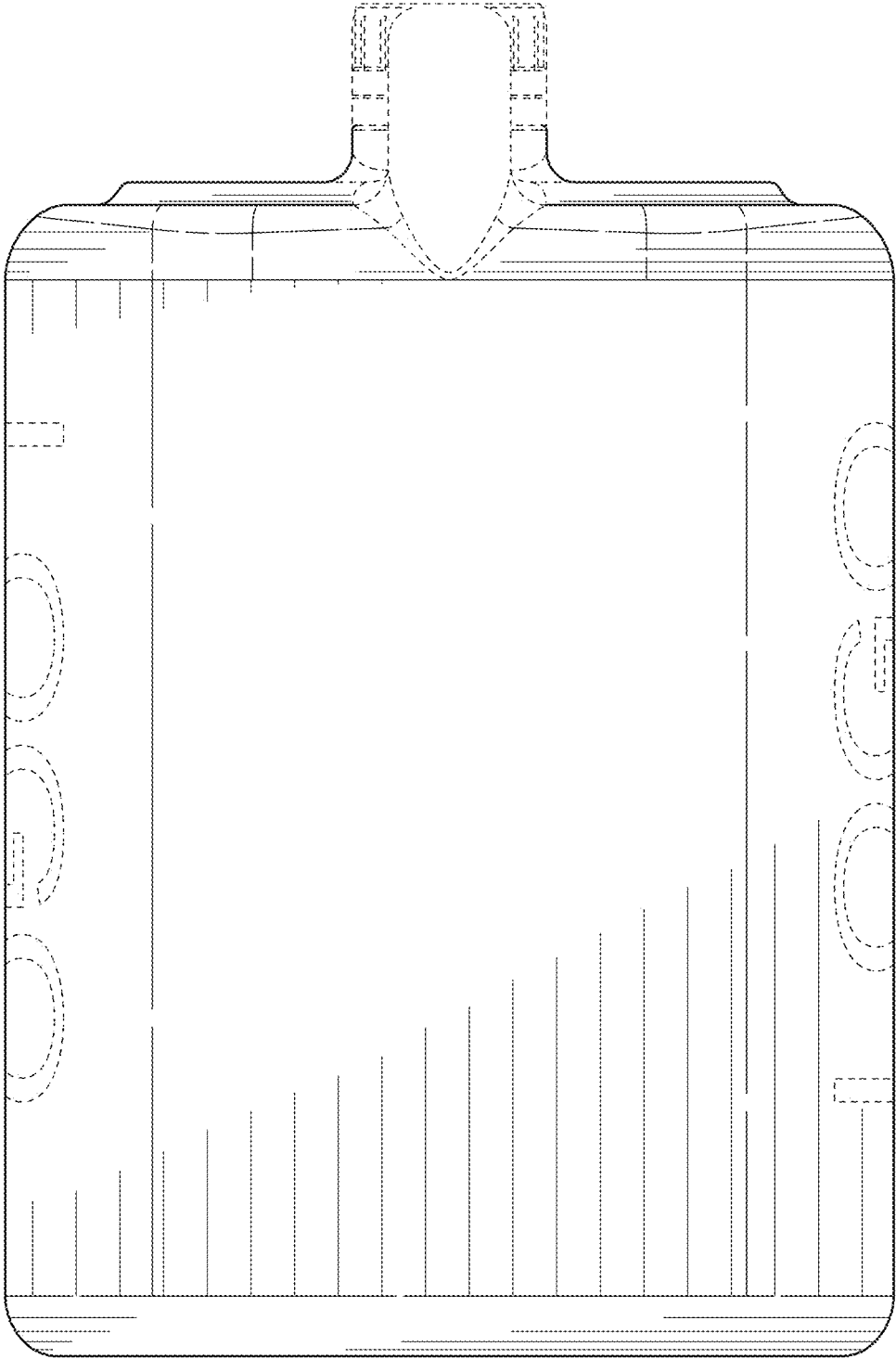


FIG. 5

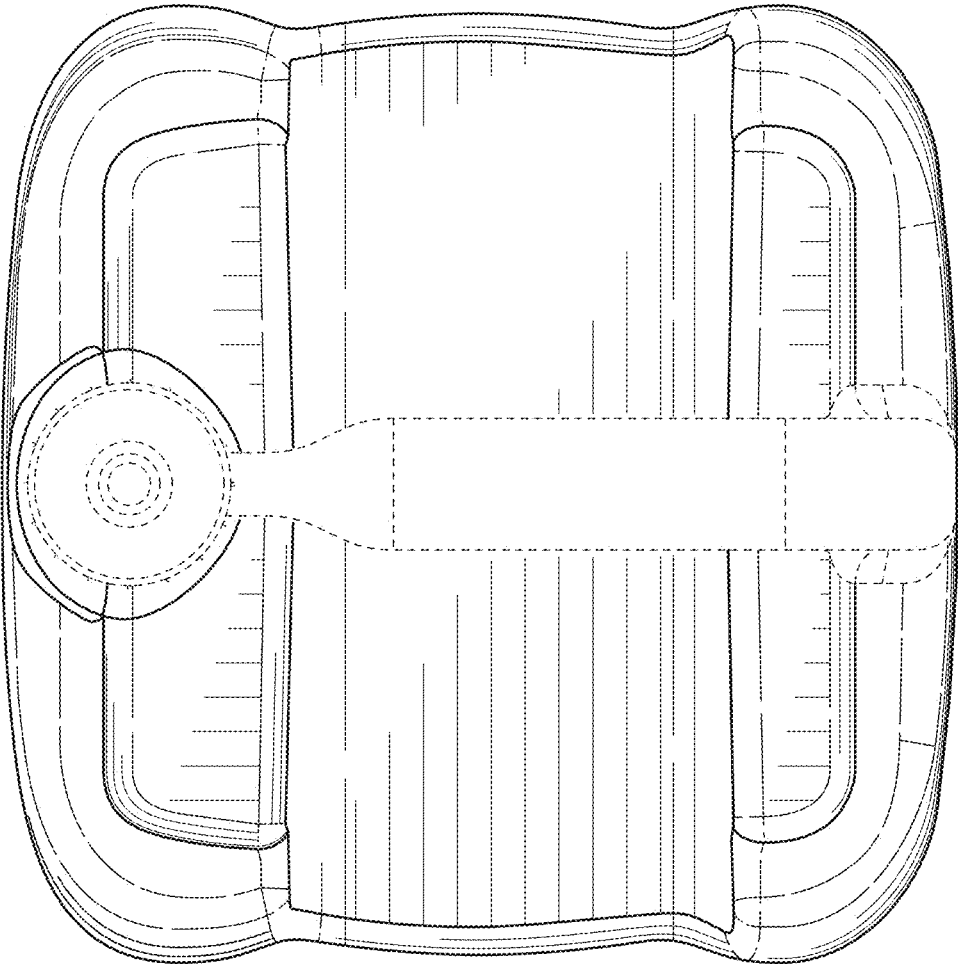


FIG. 6

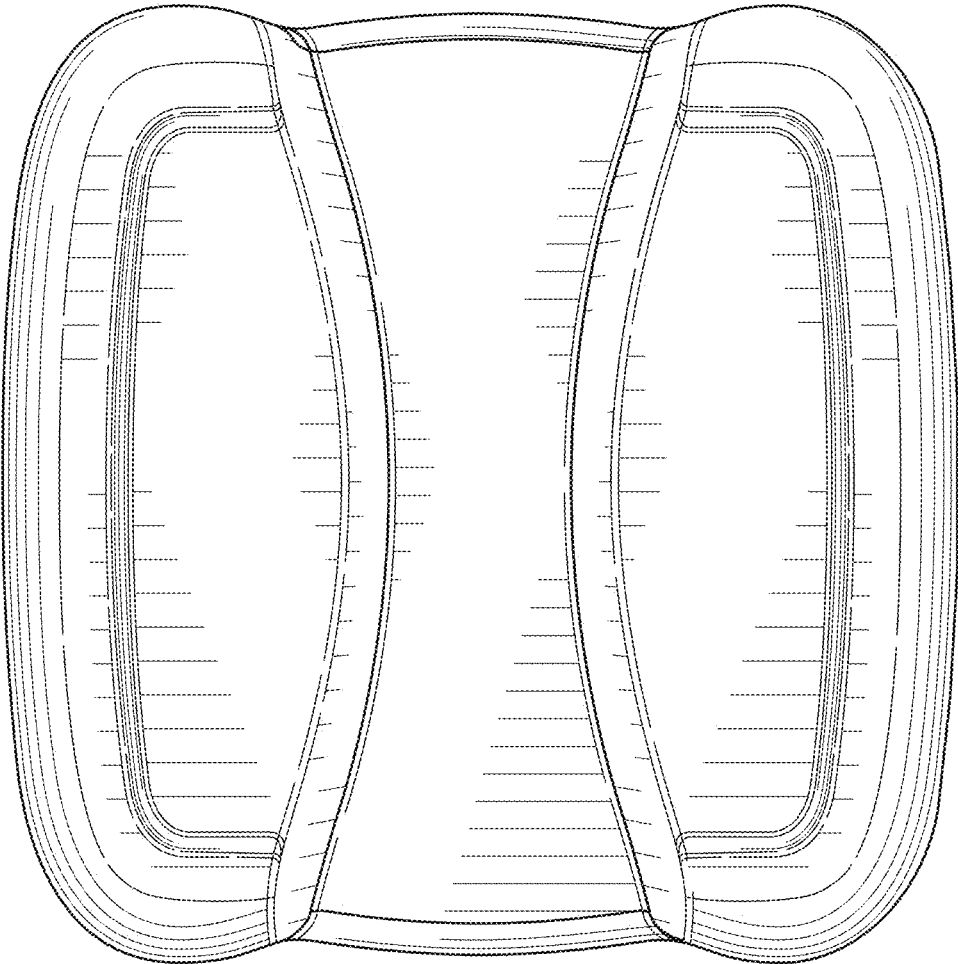


FIG. 7

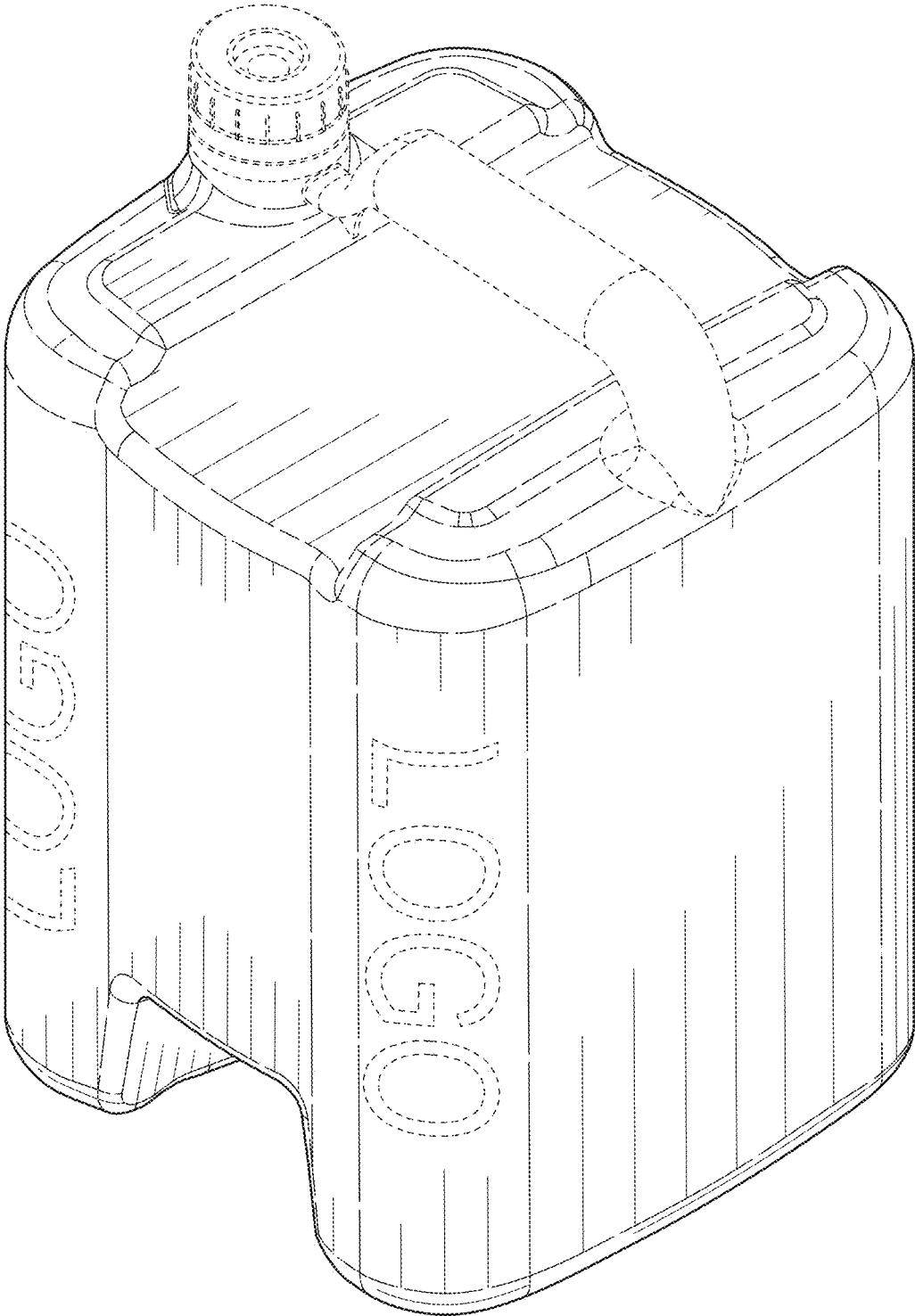


FIG. 8

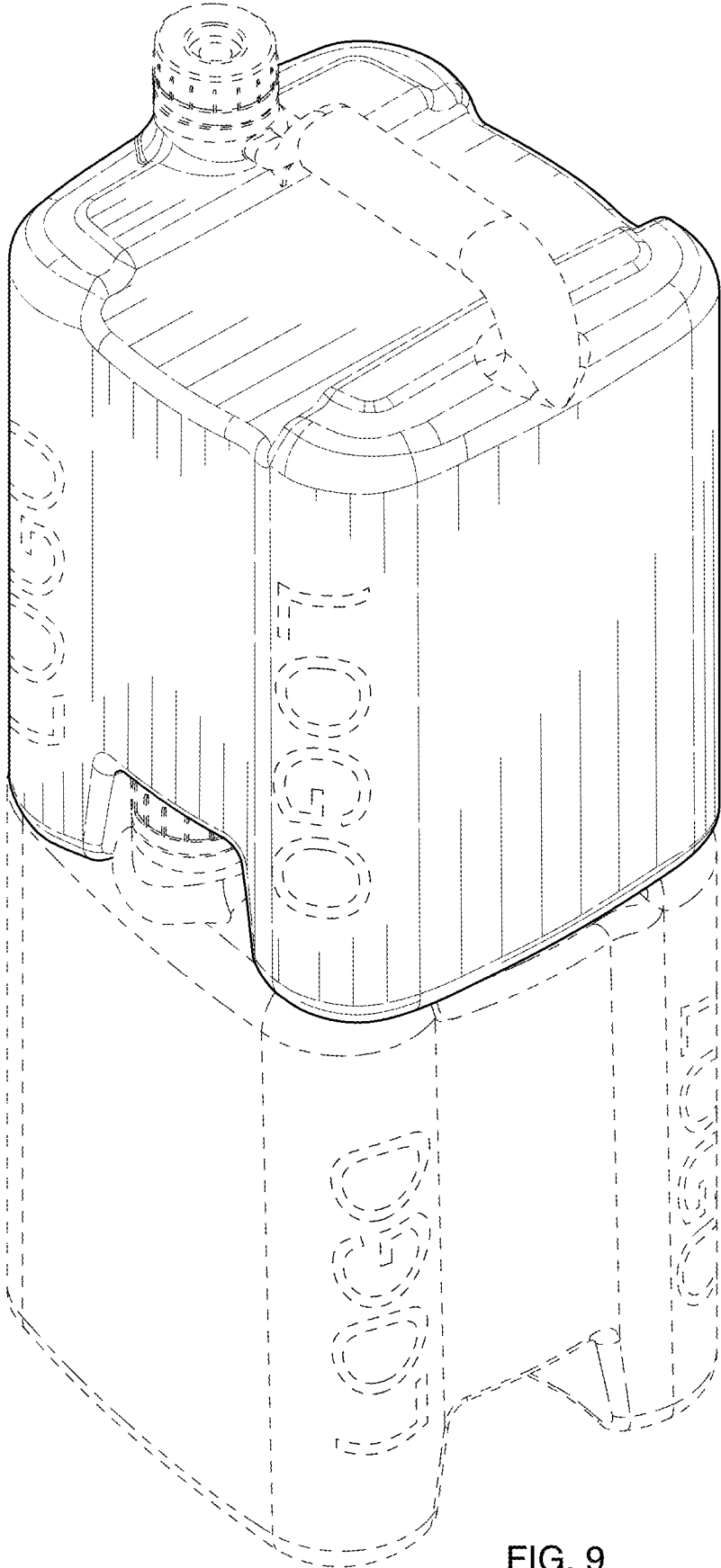


FIG. 9

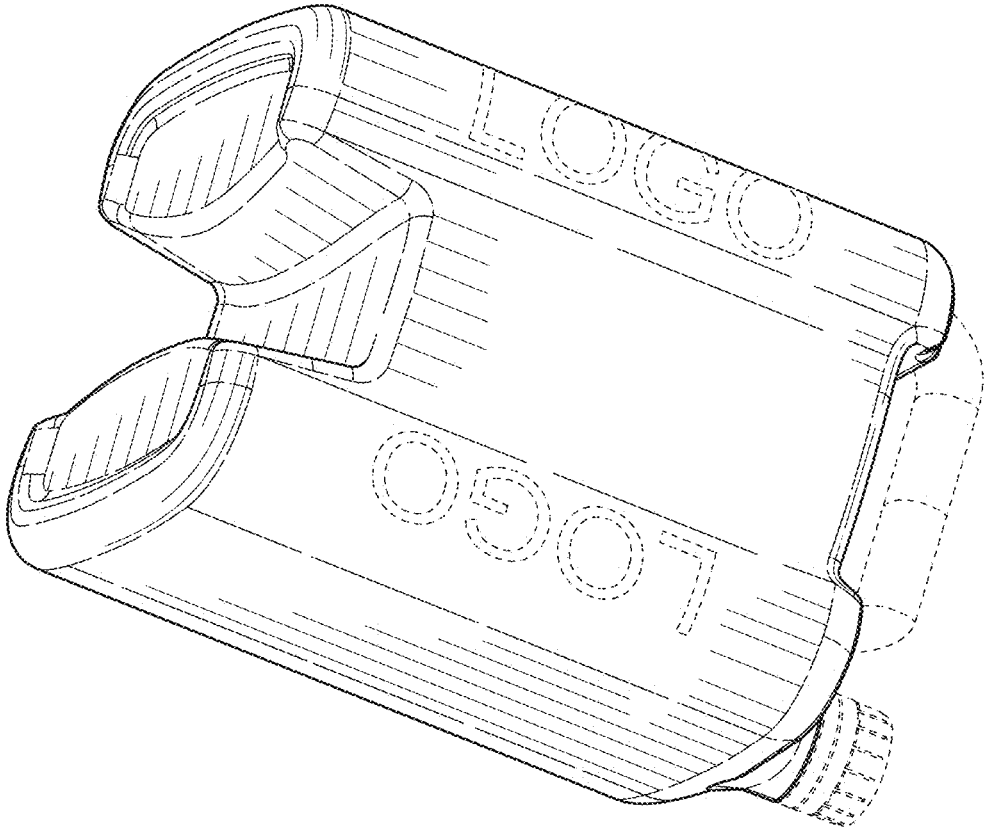


FIG. 10

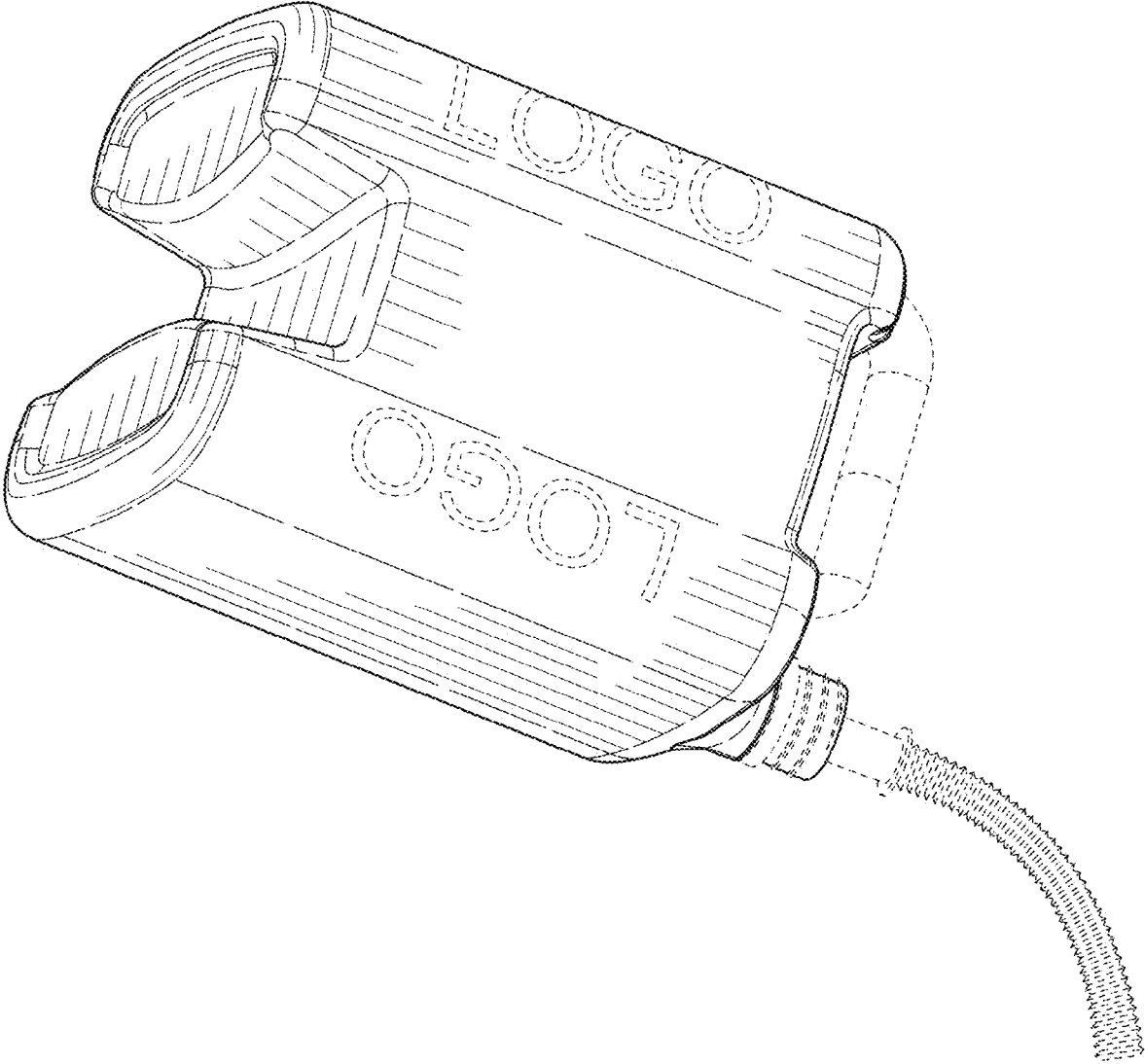


FIG. 11