



US00D897343S

(12) **United States Design Patent**  
**Lin**

(10) **Patent No.:** **US D897,343 S**

(45) **Date of Patent:** **\*\* Sep. 29, 2020**

(54) **USB-C DOCK**

(71) Applicant: **Shenzhen Ketai Electronic Co., Limited, Shenzhen (CN)**

(72) Inventor: **Zhongcheng Lin, Guangdong (CN)**

(\*\*) Term: **15 Years**

(21) Appl. No.: **29/677,980**

(22) Filed: **Jan. 24, 2019**

(51) **LOC (12) Cl.** ..... **14-02**

(52) **U.S. Cl.**

USPC ..... **D14/434**; D14/433

(58) **Field of Classification Search**

USPC ... D14/434, 432, 433, 435, 435.1, 356, 357, D14/358, 440, 447, 300, 301, 302, 314, D14/348, 389, 363, 365, 451, 452, 454, D14/217, 299, 496, 240, 242, 251-253, D14/204, 171; D13/103, 107, 108, 110, D13/123, 133, 135, 184; D21/324, 332, D21/333

CPC ..... G06F 1/16; G06F 1/1632; G06F 1/266; G06F 13/00; G06F 13/38; G06F 13/382; G06F 13/385; G06F 13/387; G06F 3/065; G06F 9/541; G06F 2213/3814; G06F 2213/40; G06F 2213/4004; H01R 31/06; H01R 31/065; H01R 27/00; H01R 13/512; H01R 13/62; H04R 5/04

See application file for complete search history.

(56) **References Cited**

**U.S. PATENT DOCUMENTS**

6,321,340	B1 *	11/2001	Shin	.....	G06F 1/1632
					713/310
D520,502	S *	5/2006	Xu	.....	D14/356
8,419,479	B2 *	4/2013	Vroom	.....	H01R 13/512
					361/679.45
D683,765	S *	6/2013	Ahn	.....	D14/203.3
D709,892	S *	7/2014	Lui	.....	D14/433
D788,112	S *	5/2017	Liao	.....	D14/433

D791,070	S *	7/2017	Son	.....	D13/103
D798,301	S *	9/2017	Kujawski	.....	D14/433
D798,811	S *	10/2017	Liao	.....	D13/110
D800,730	S *	10/2017	Liao	.....	D14/433
D807,290	S *	1/2018	Liao	.....	D13/110
D813,875	S *	3/2018	Liao	.....	D14/434
D828,356	S *	9/2018	Xie	.....	D14/433
D828,839	S *	9/2018	Zhang	.....	D14/433
D828,840	S *	9/2018	Zhang	.....	D14/433
D828,841	S *	9/2018	Zhang	.....	D14/433
D830,366	S *	10/2018	Turksu	.....	D14/433
D839,876	S *	2/2019	Turksu	.....	D14/435.1

(Continued)

**OTHER PUBLICATIONS**

USB C-Type Hubs Docks Converters. (Design —© Questel) orbit.com. [online PDF] 46 pgs. Print Dates range Jan. 12, 2018 through Jul. 30, 2019. [retrieved Mar. 30, 2020] <https://www.orbit.com/export/QPTUJ214/pdf2/b7413e5345bc-4e37-8589-c15b2b417a6b-223528.pdf>.\*

*Primary Examiner* — Marie D. Fast Horse

(74) *Attorney, Agent, or Firm* — Prakash Nama; Global IP Services, PLLC

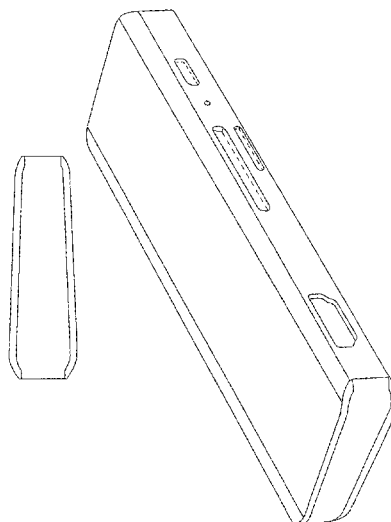
(57) **CLAIM**

The ornamental design for a USB-C dock, as shown and described.

**DESCRIPTION**

FIG. 1 is a front elevational view of a USB-C dock showing my new design;  
FIG. 2 is a rear elevational view thereof;  
FIG. 3 is a top plan view thereof;  
FIG. 4 is a bottom plan view thereof;  
FIG. 5 is a left side view thereof;  
FIG. 6 is a right side view thereof;  
FIG. 7 is a perspective view thereof; and,  
FIG. 8 is another perspective view thereof.  
The broken lines depict portions of the USB-C dock that form no part of the claimed design.

**1 Claim, 8 Drawing Sheets**



(56)

## References Cited

## U.S. PATENT DOCUMENTS

D844,618	S	*	4/2019	Liao	.....	D14/434
D847,139	S	*	4/2019	Wang	.....	D14/433
D853,397	S	*	7/2019	Wang	.....	D14/435.1
D854,019	S	*	7/2019	Liao	.....	D14/434
D854,020	S	*	7/2019	Liao	.....	D14/357
D854,544	S	*	7/2019	Liao	.....	D14/434
D855,054	S	*	7/2019	Turksu	.....	D14/433
D855,616	S	*	8/2019	Chin	.....	D14/433
D856,278	S	*	8/2019	Turksu	.....	D13/108
D862,385	S	*	10/2019	Turksu	.....	D13/108
D862,474	S	*	10/2019	Liu	.....	D14/433
D864,205	S	*	10/2019	Wang	.....	D14/433
D864,208	S	*	10/2019	Duan	.....	D14/433
D864,964	S	*	10/2019	Lyu	.....	D14/433
D864,966	S	*	10/2019	Sang	.....	D14/434
D864,967	S	*	10/2019	Liu	.....	D14/434
D866,557	S	*	11/2019	Xiong	.....	D14/433
D869,467	S	*	12/2019	Lin	.....	D14/434
D879,779	S	*	3/2020	Liao	.....	D14/433
D880,481	S	*	4/2020	Liao	.....	D14/433
D880,482	S	*	4/2020	Wang	.....	D14/434
D880,483	S	*	4/2020	Fan	.....	D14/434
D883,292	S	*	5/2020	Lin	.....	D14/433
D883,293	S	*	5/2020	Zhang	.....	D14/433
D885,339	S	*	5/2020	Duan	.....	D14/433
D886,825	S	*	6/2020	Zhang	.....	D14/433
D888,061	S	*	6/2020	Jiang	.....	D14/434
2003/0216069	A1	*	11/2003	Huang	.....	G06F 1/266
						439/105
2015/0171386	A1	*	6/2015	Yang	.....	H01M 2/1022
						429/163
2016/0085272	A1	*	3/2016	Chien	.....	G06F 1/1632
						361/679.4
2019/0204882	A1	*	7/2019	Tseng	.....	G06F 1/1632

\* cited by examiner

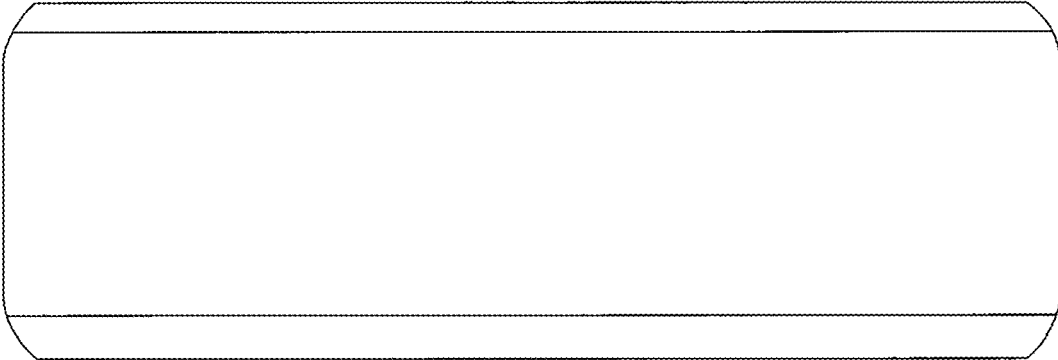


FIG. 1

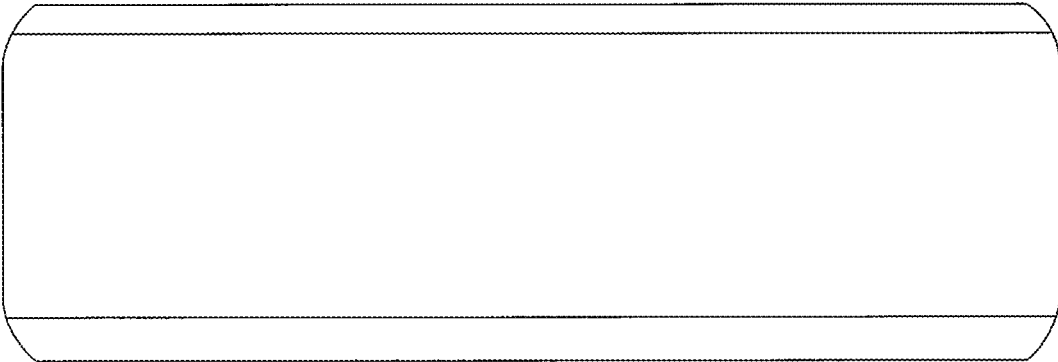


FIG. 2

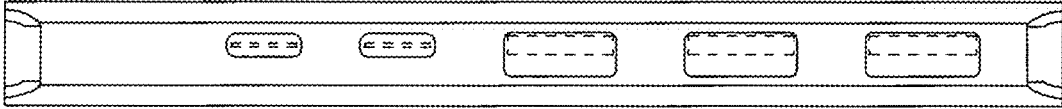


FIG. 3

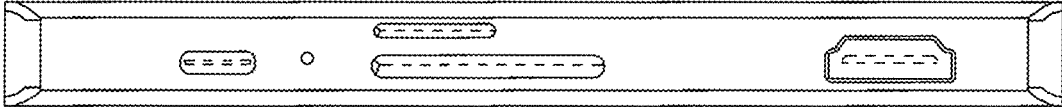


FIG. 4



FIG. 5

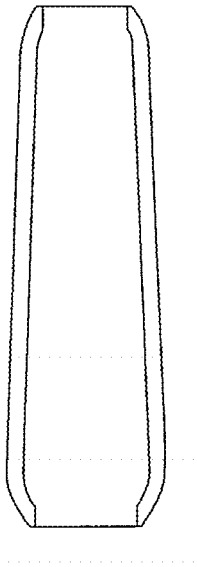


FIG. 6



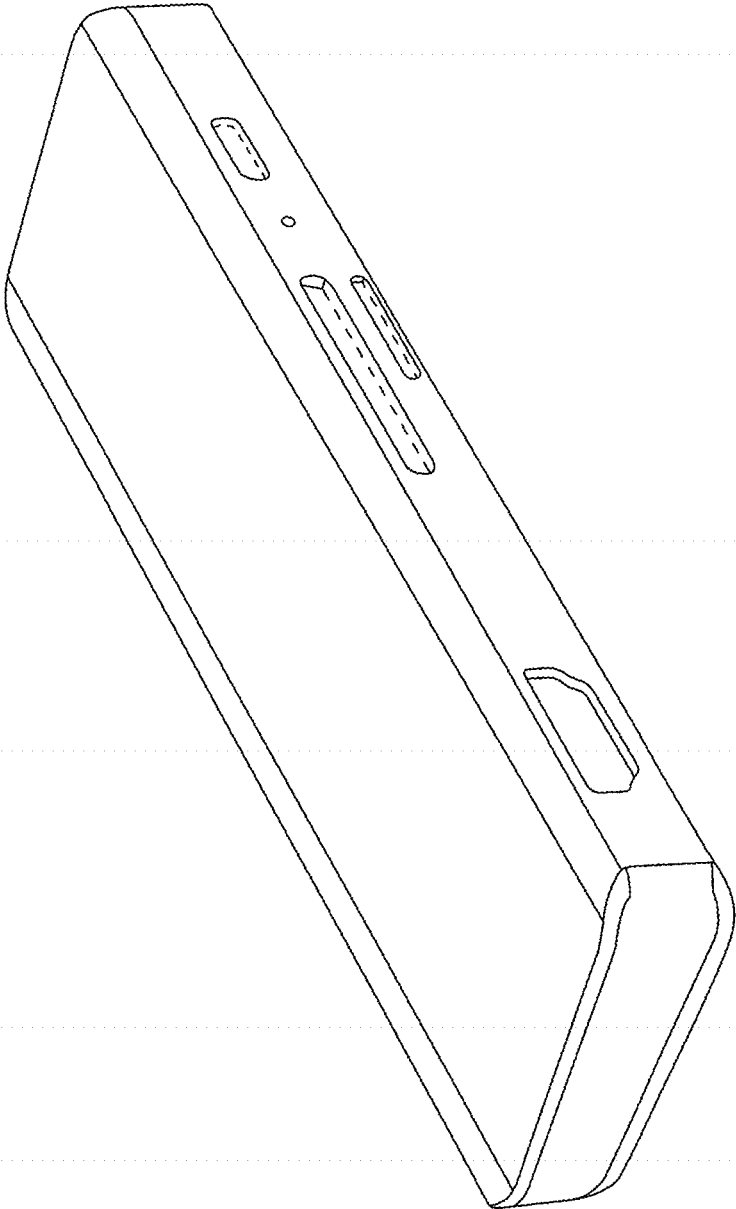


FIG. 7

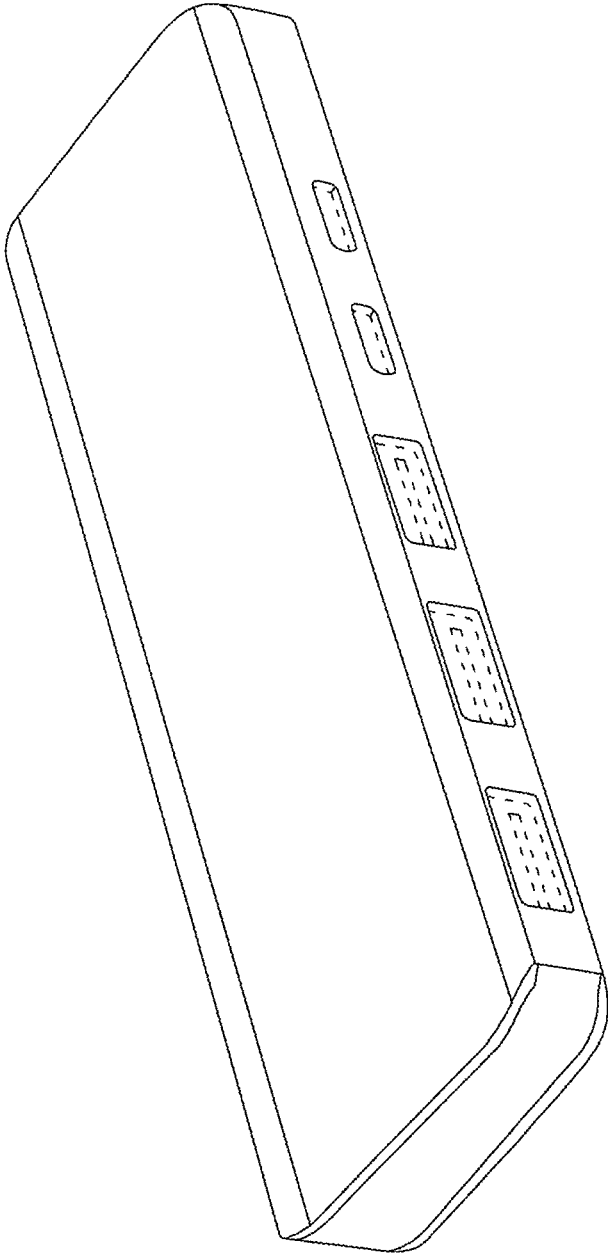


FIG. 8