



US00D777033S

(12) **United States Design Patent**
Takizawa et al.

(10) **Patent No.:** **US D777,033 S**

(45) **Date of Patent:** **** Jan. 24, 2017**

(54) **SPRAY HEAD FOR A CONTAINER**

(71) Applicant: **MITANI VALVE CO., LTD.**, Tokyo (JP)

(72) Inventors: **Osamu Takizawa**, Tokyo (JP); **Masato Suzuki**, Tokyo (JP)

(73) Assignee: **MITANI VALVE CO., LTD.**, Tokyo (JP)

(**) Term: **14 Years**

(21) Appl. No.: **29/511,023**

(22) Filed: **Dec. 5, 2014**

Related U.S. Application Data

(62) Division of application No. 29/451,727, filed on Apr. 8, 2013, now Pat. No. Des. 721,961.

(51) **LOC (10) Cl.** **09-07**

(52) **U.S. Cl.**
USPC **D9/448**

(58) **Field of Classification Search**
USPC D9/434, 448, 682-694, 445, 516, 435, D9/447; 239/337, 573; D23/224, 227
CPC B65D 83/206; B65D 83/205; B65D 83/22
See application file for complete search history.

(56) **References Cited**

U.S. PATENT DOCUMENTS

D342,899 S *	1/1994	Battegazzore	D9/448
D476,558 S *	7/2003	Cho	D9/685
D495,399 S *	8/2004	Guala	D9/448
D569,247 S *	5/2008	Decottignies	D9/448
D569,723 S *	5/2008	Sellick	D9/448
D582,272 S *	12/2008	Cichy	D9/448
D583,669 S *	12/2008	Seum	D9/448

D590,712 S *	4/2009	Sweeton	D9/448
D595,575 S *	7/2009	Cichy	D9/448
D639,160 S *	6/2011	Jug	D9/448
D658,938 S *	5/2012	Melms, Jr.	D7/401.1
D661,580 S *	6/2012	Takizawa	D9/448
D680,879 S *	4/2013	Gershune	D9/689
D682,095 S *	5/2013	Cohen	D9/434
D705,649 S *	5/2014	Sweeton	D9/434
D710,200 S *	8/2014	Takizawa	D9/448
D731,321 S *	6/2015	Farrell	D9/685
D754,540 S *	4/2016	Wang	D9/434
2011/0108583 A1 *	5/2011	Sell	B65D 83/206 222/402.13

(Continued)

Primary Examiner — Susan Bennett Hattan

Assistant Examiner — Brett Miller

(74) *Attorney, Agent, or Firm* — Lucas & Mercanti, LLP

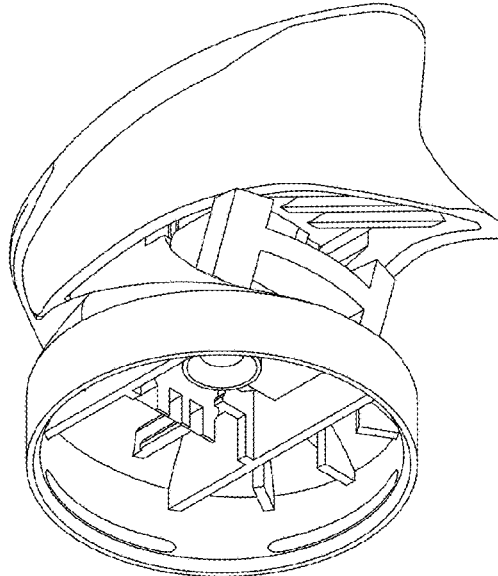
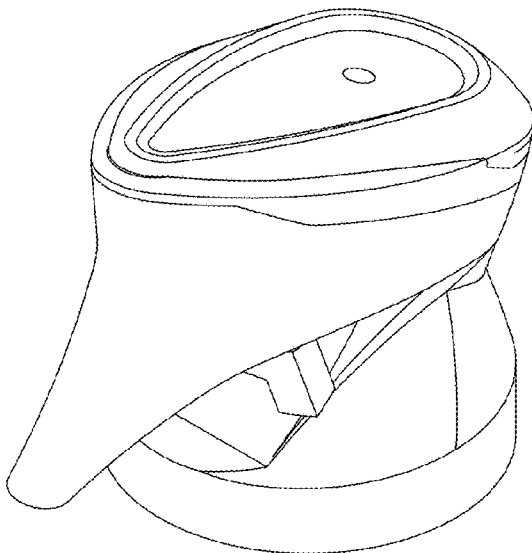
(57) **CLAIM**

The ornamental design for a spray head for a container, as shown.

DESCRIPTION

FIG. 1 is a front elevation view of a new design of a spray head for a container.
 FIG. 2 is a left side elevation view thereof.
 FIG. 3 is a right side elevation view thereof.
 FIG. 4 is a top plan view thereof.
 FIG. 5 is a bottom plan view thereof.
 FIG. 6 is a top, front and left side perspective view thereof.
 FIG. 7 is a bottom, rear and right side perspective view thereof.
 FIG. 8 is a bottom, rear and left side perspective view thereof; and,
 FIG. 9 is a top, front and right side perspective view thereof.
 The broken lines depict portions of the spray head that form no part of the claim.

1 Claim, 9 Drawing Sheets



(56)

References Cited

U.S. PATENT DOCUMENTS

2013/0277397 A1* 10/2013 Erickson B65D 83/22
222/153.11

* cited by examiner

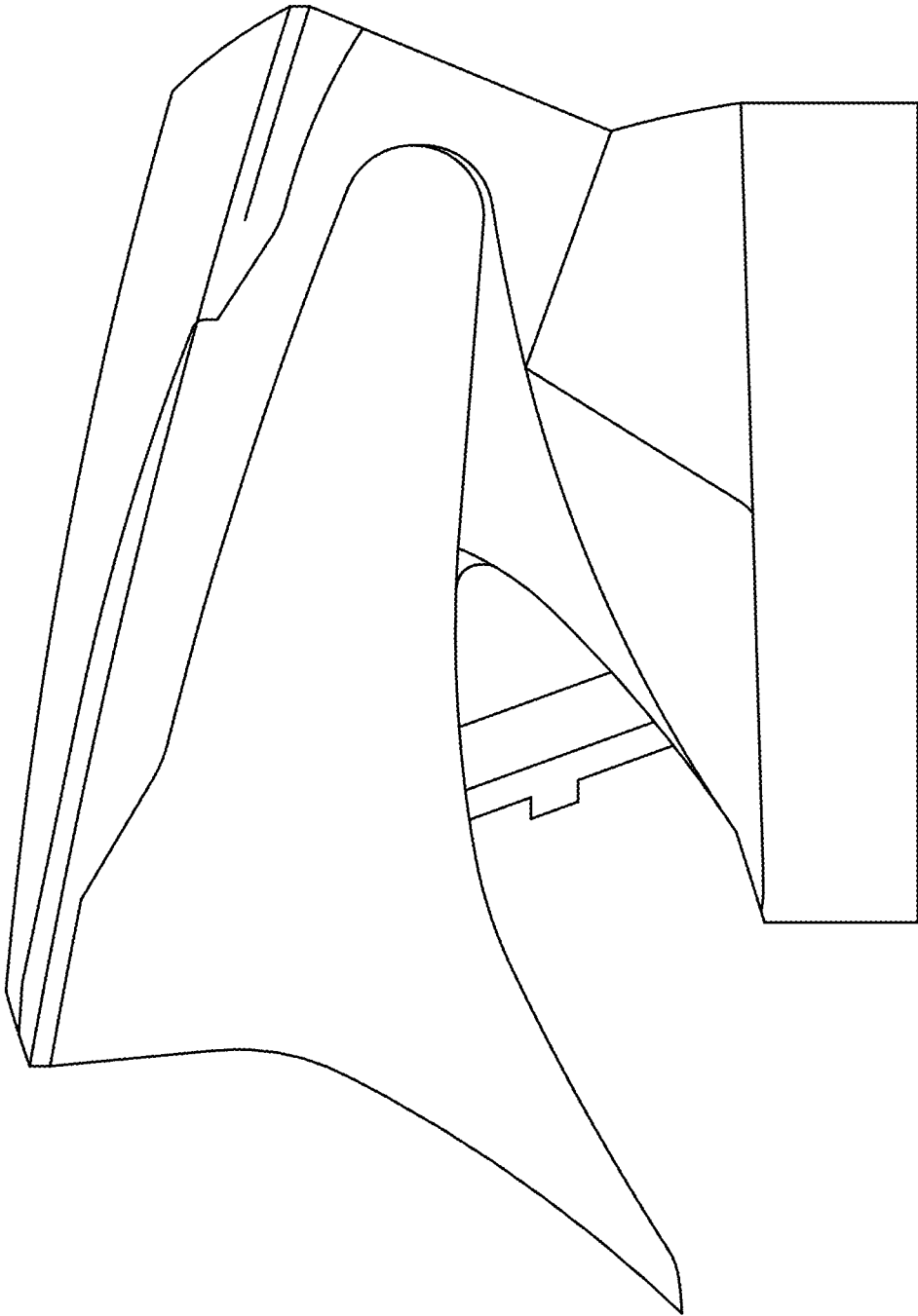


FIG. 1

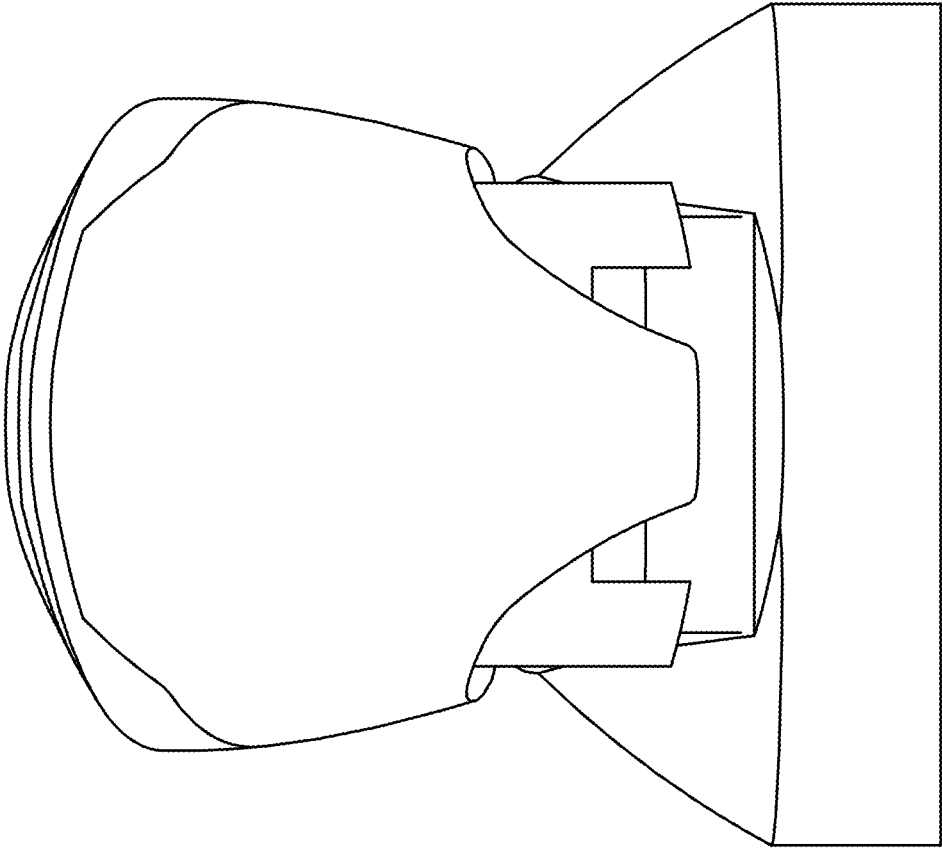


FIG. 2

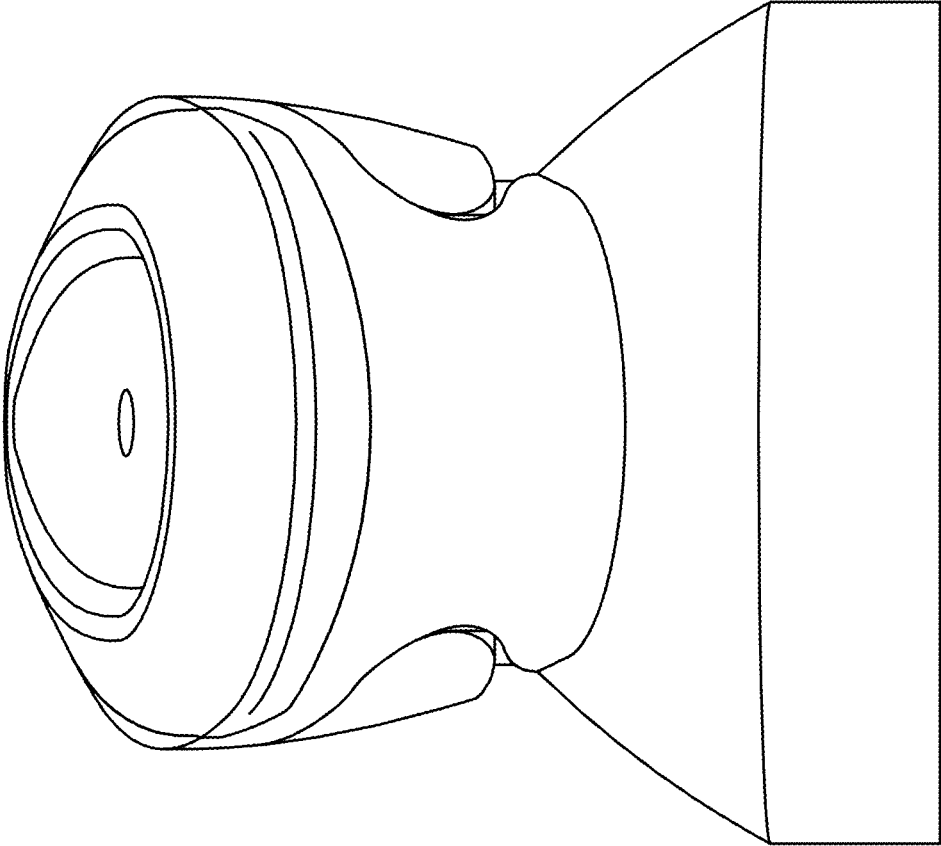


FIG. 3

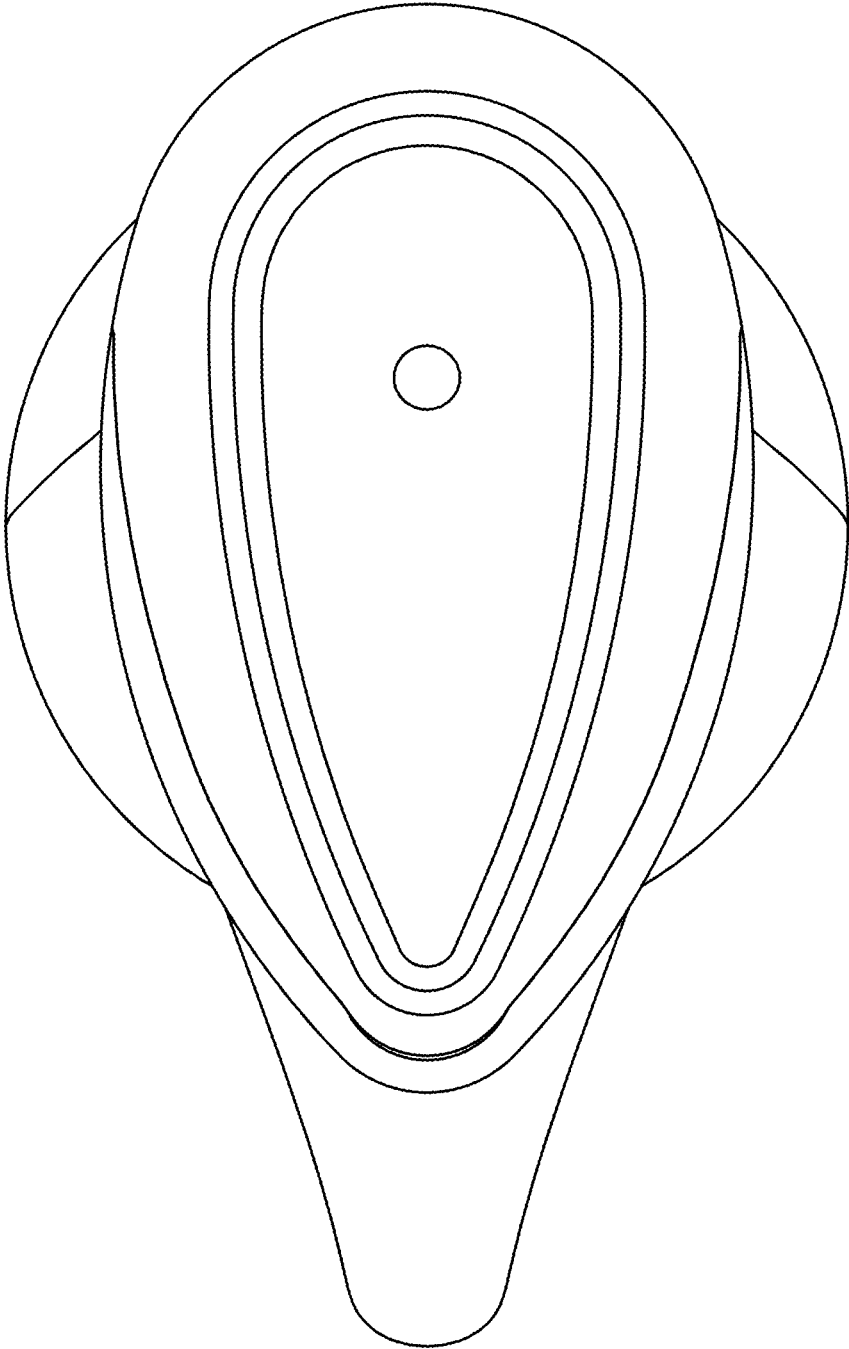


FIG. 4

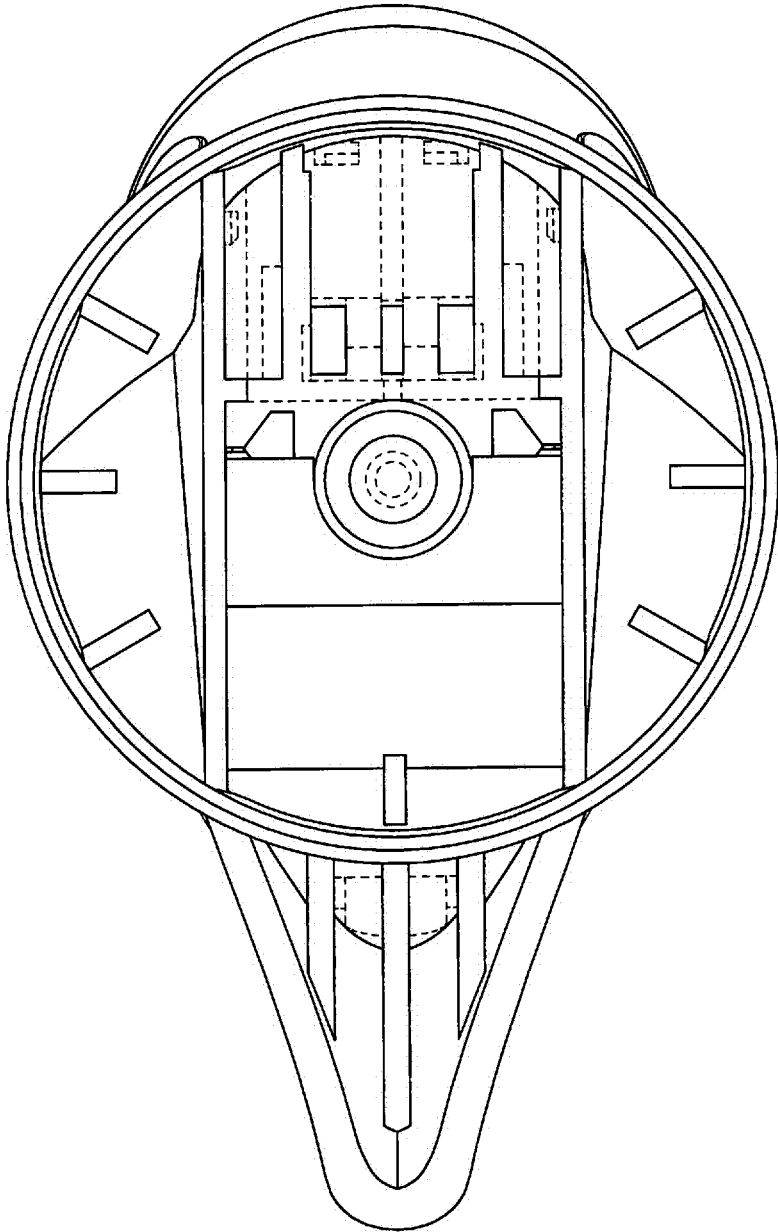


FIG. 5

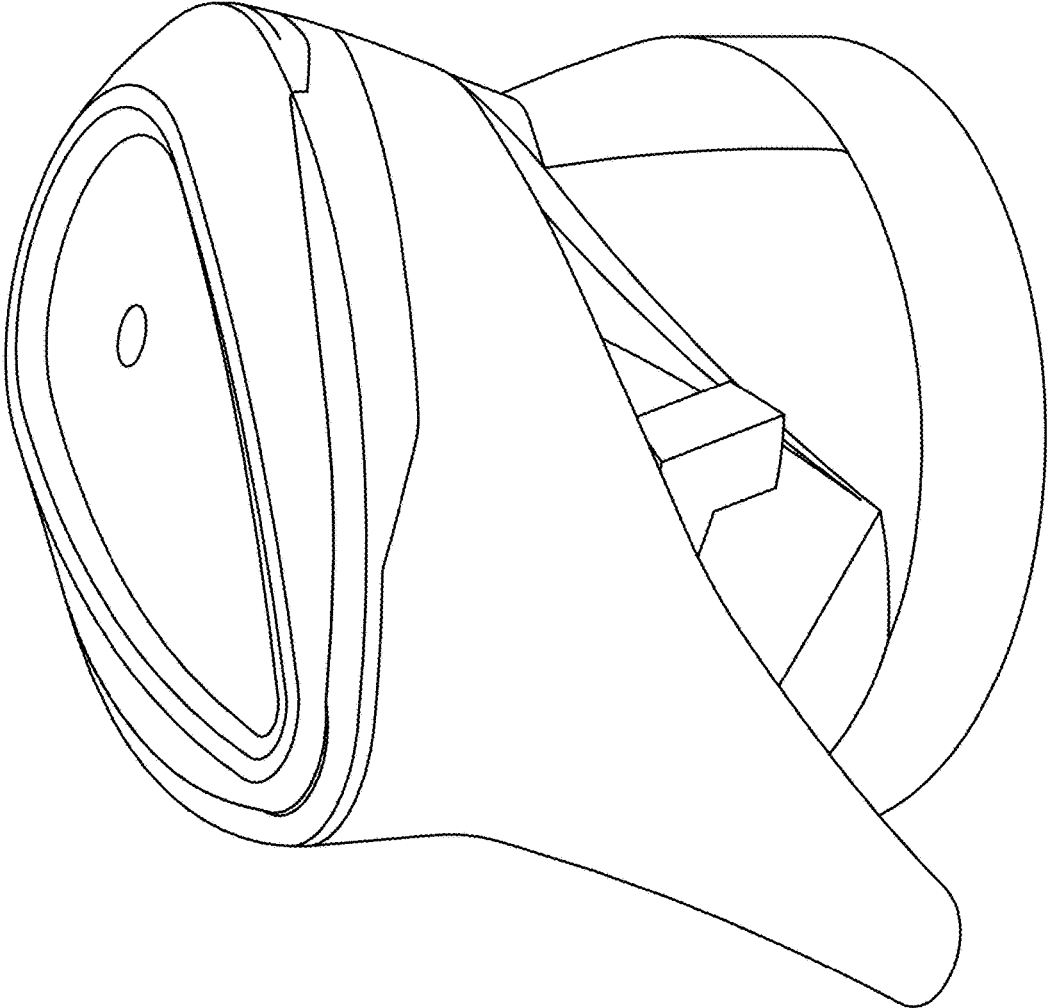


FIG. 6

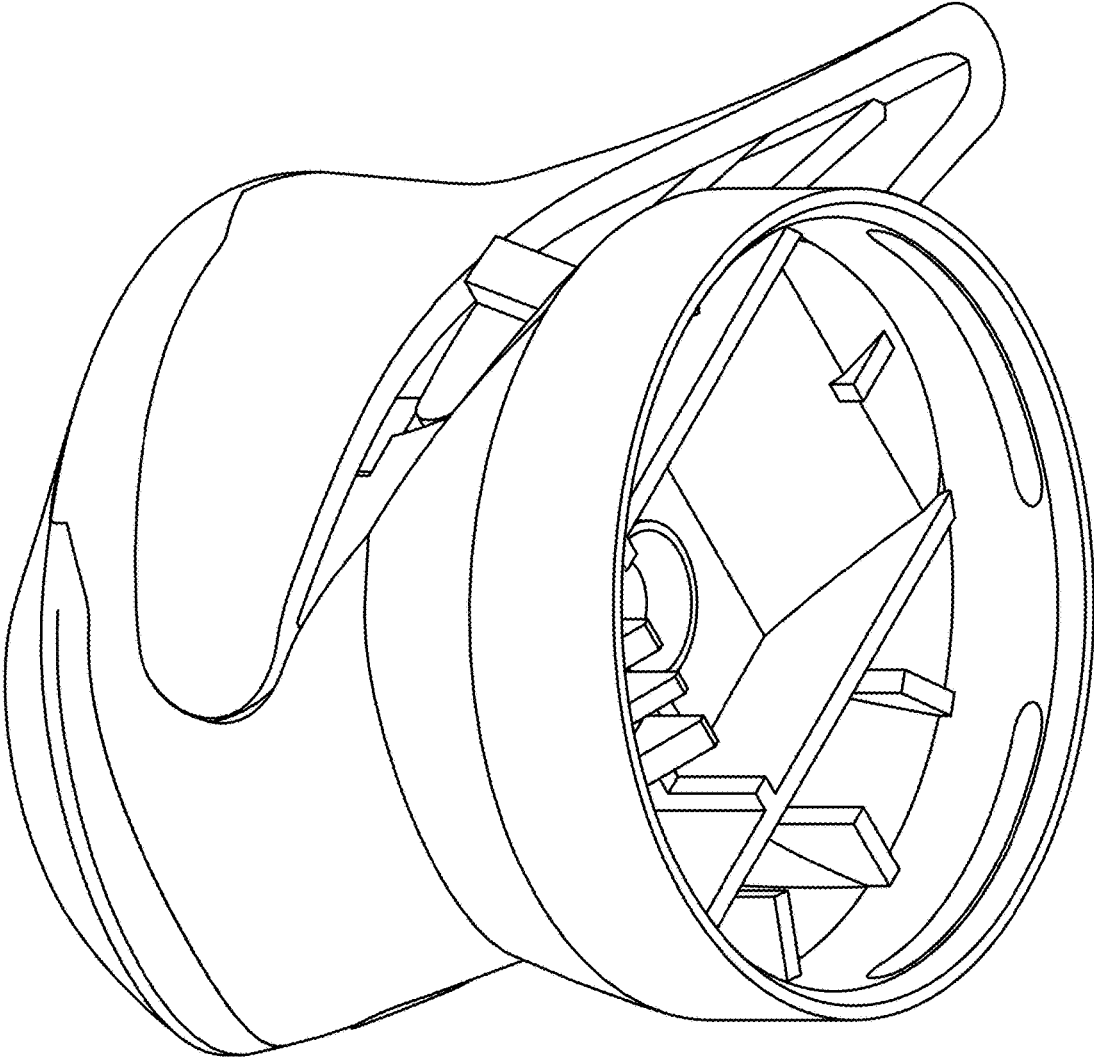


FIG. 7

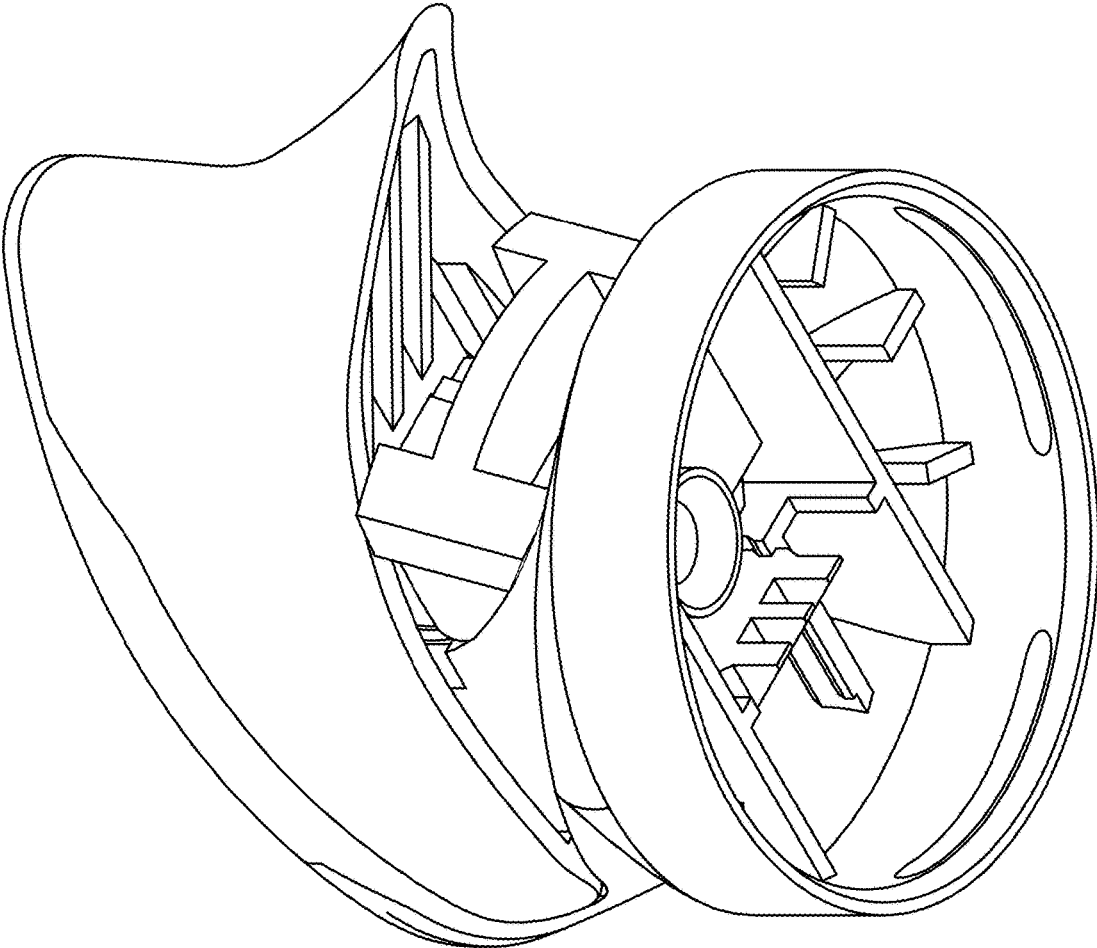


FIG. 8

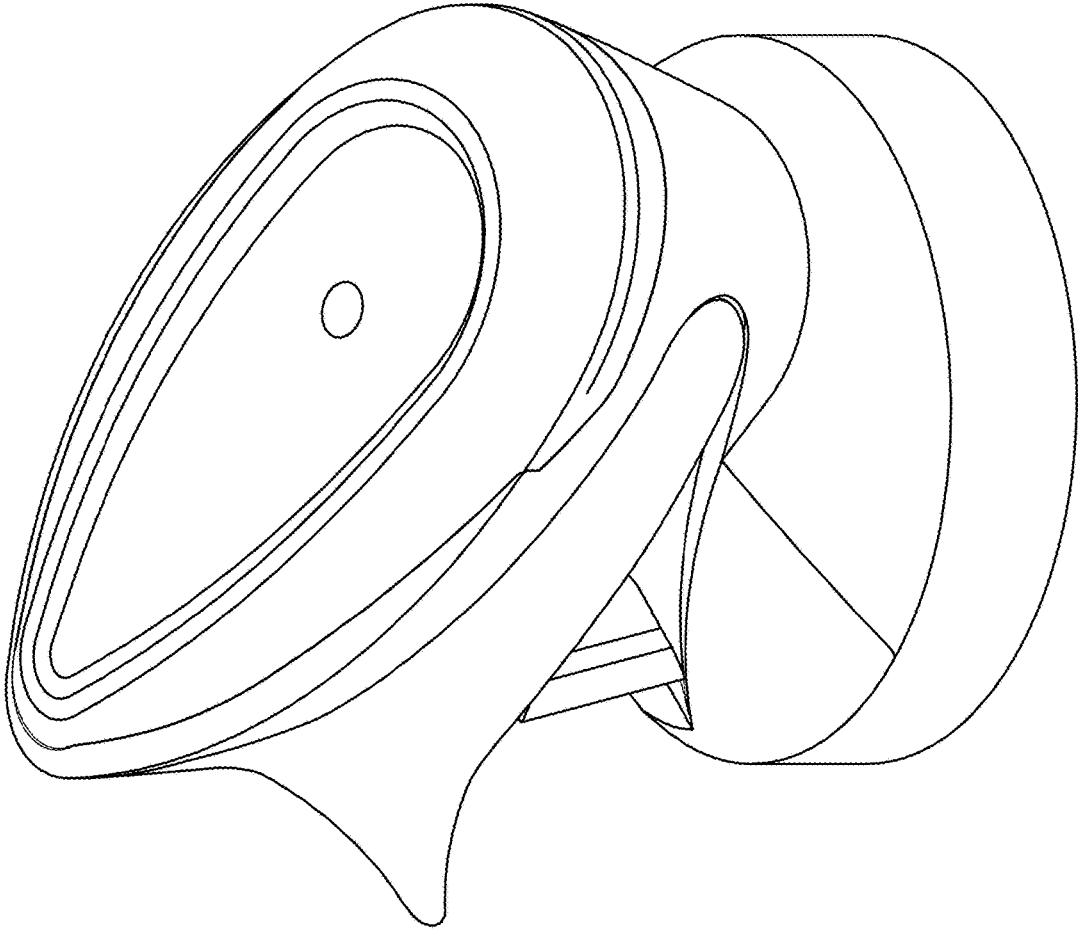


FIG. 9