



(12) **United States Design Patent**
Fehr

(10) **Patent No.:** **US D901,469 S**
(45) **Date of Patent:** **** Nov. 10, 2020**

(54) **DISPLAY MOUNT**

(56) **References Cited**

(71) Applicant: **CKnapp Sales, Inc.**, Goodfield, IL (US)

U.S. PATENT DOCUMENTS

(72) Inventor: **Micah Fehr**, Danvers, IL (US)

D692,013	S	*	10/2013	Crysell	D14/447
D822,453	S	*	7/2018	Kanter	D8/354
D822,454	S	*	7/2018	Kanter	D8/354
D822,650	S	*	7/2018	Kanter	D14/238
D823,093	S	*	7/2018	Kanter	D8/354
D823,094	S	*	7/2018	Kanter	D8/354
D829,531	S	*	10/2018	Kanter	D8/354
D829,533	S	*	10/2018	Kanter	D8/354

(73) Assignee: **CKnapp Sales, Inc.**, Goodfield, IL (US)

(Continued)

(**) Term: **15 Years**

(21) Appl. No.: **29/679,859**

OTHER PUBLICATIONS

(22) Filed: **Feb. 11, 2019**

Vesa Mount Adapter for HP Pavilion 27xw, 25xw, 24xw, 23xw, 22xw, 22cw, 27cw, 25cw, 24cw, 23cw, and 22cw Monitors (Compare to CVB100 and L6V75AA) [Patented]—by HumanCentric retrieved from the web <https://www.amazon.com/Adapter-Monitor-XG270HU-G277HU-Pending/dp/B01DAYRXRK/>, on Feb. 11, 2019, 10 pages.

(51) **LOC (12) Cl.** **14-03**

(52) **U.S. Cl.**

USPC **D14/238**

(58) **Field of Classification Search**

USPC D14/371–382, 125–129, 336, 337, D14/447–452, 492, 335, 376–382, 239, D14/457, 439–441, 432, 251–253; D8/349, 354, 363, 367, 372, 373, 376, D8/380, 382; D21/333; D12/415; D3/10, 218; 348/180, 184, 325, 739, 348/825; 248/323, 278.1, 286.1

CPC G06F 3/0412; G06F 3/016; G06F 3/0488; G06F 3/011; G06F 3/038; G06F 3/03543; G06F 3/0338; G06F 3/0202; G06F 3/0219; G06F 3/0213; G06F 1/1616; G06F 3/023; G06F 3/04883; G02F 1/13338; G02F 1/1313; G02F 1/1333; G02F 1/135; G02F 1/132; G02F 1/133308; G02F 1/134309; G02F 1/13718; G09G 3/3648; G06K 15/1252; B41J 2/465; G03F 7/70291; G02B 27/0172; G02B 5/30; G02B 2027/0118; G02B 27/0101; F16M 13/02; F16M 13/00; F16M 11/10; F16M 11/04; F16M 2200/08; F16M 11/2021; A47B 21/0314; A47B 88/044; A47B 2021/0335; H02G 3/126; F16B 47/00; F16B 47/006; A47G 1/17; A47K 2201/00

See application file for complete search history.

Primary Examiner — Katie Jane Stofko
(74) *Attorney, Agent, or Firm* — Hanley, Flight and Zimmerman, LLC

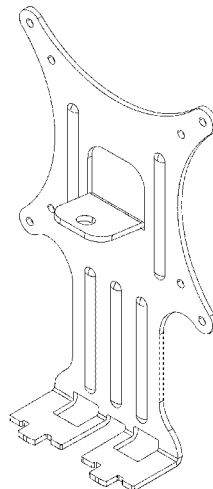
(57) **CLAIM**

The ornamental design for a display mount, as shown and described.

DESCRIPTION

FIG. 1 is a perspective view of a display mount.
FIG. 2 is a front elevation view thereof.
FIG. 3 is a rear elevation view thereof.
FIG. 4 is a top plan view thereof.
FIG. 5 is a bottom plan view thereof.
FIG. 6 is a left side elevation view thereof; and,
FIG. 7 is a right side elevation view thereof.
The broken lines shown in FIGS. 1-7 illustrate portions of the display mount that form no part of the claimed design.

1 Claim, 7 Drawing Sheets



(56)

References Cited

U.S. PATENT DOCUMENTS

D833,851 S *	11/2018	Kanter	D8/354
D846,369 S *	4/2019	Ni	D8/354
D846,370 S *	4/2019	Ni	D8/354
D852,173 S *	6/2019	Ni	D14/239
D859,958 S *	9/2019	Ni	D8/354

* cited by examiner

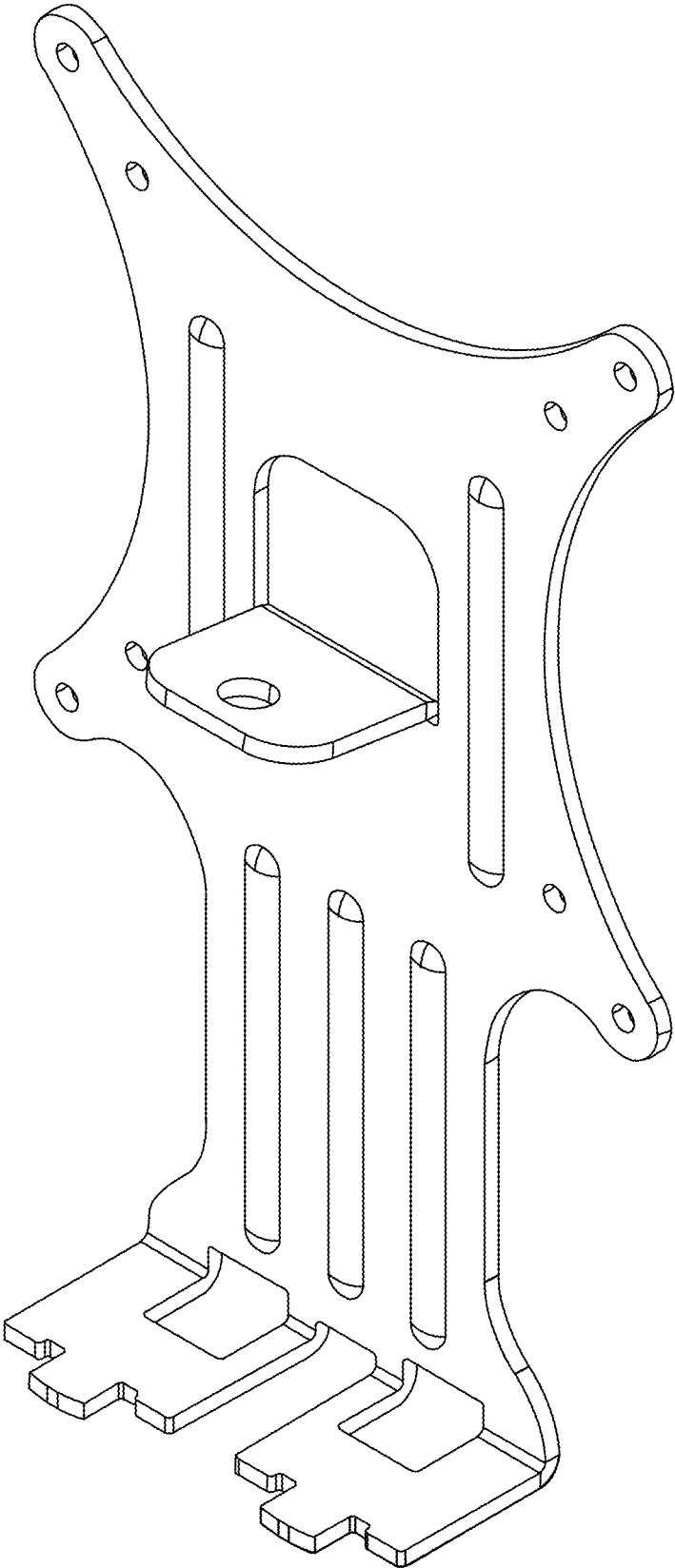


FIG. 1

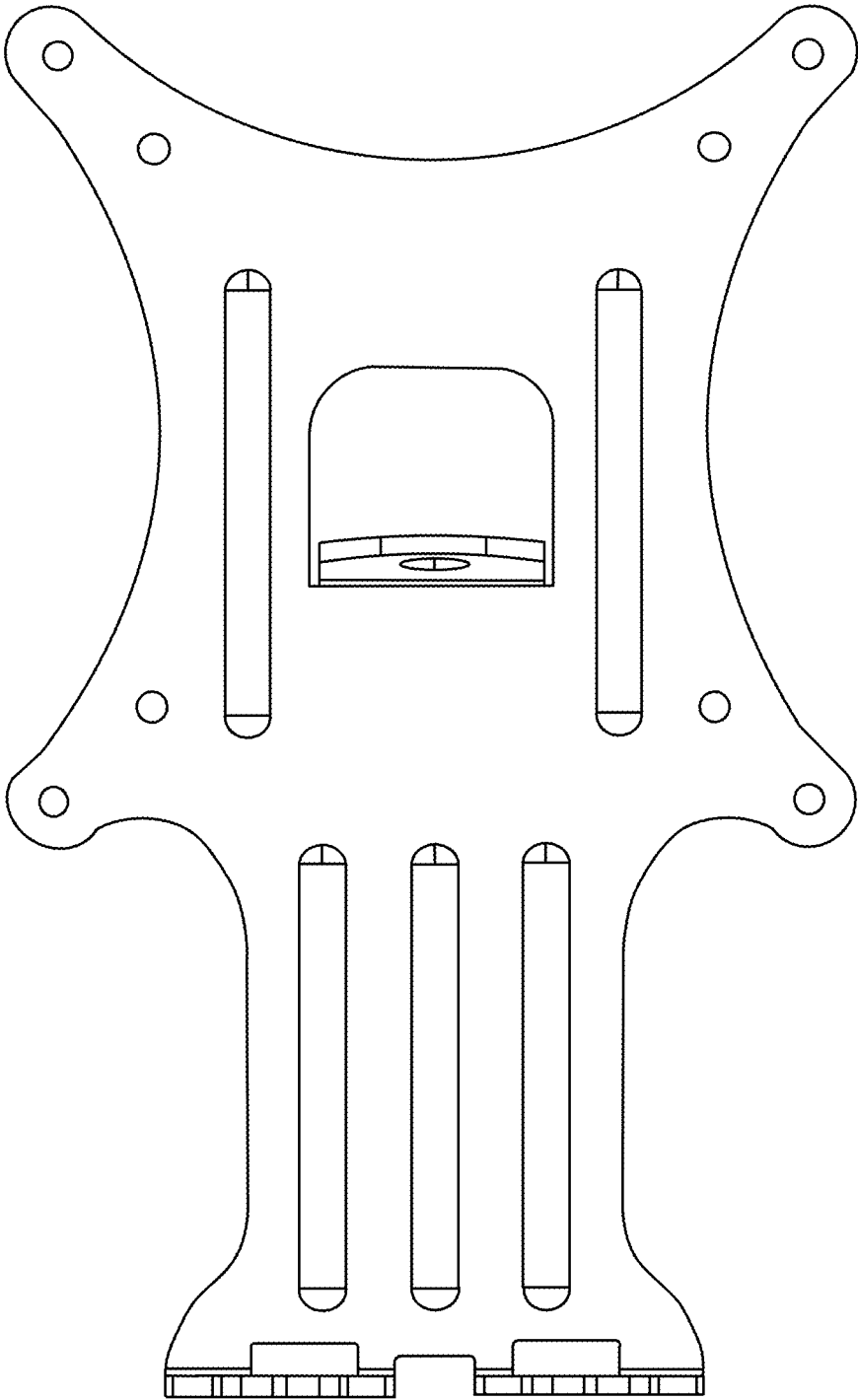


FIG. 2

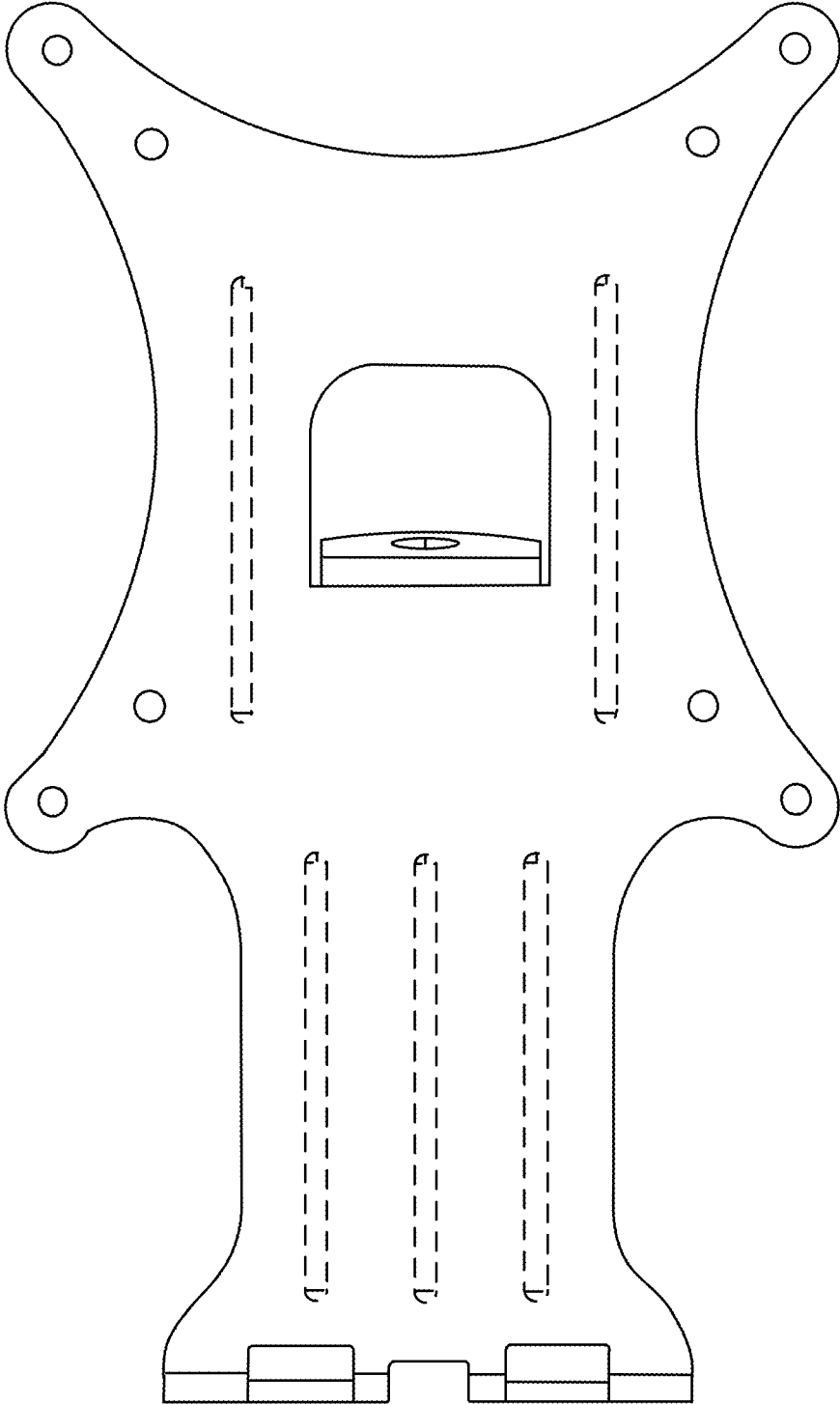


FIG. 3

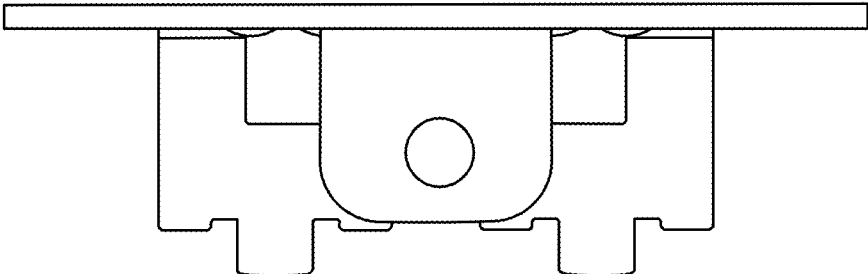


FIG. 4

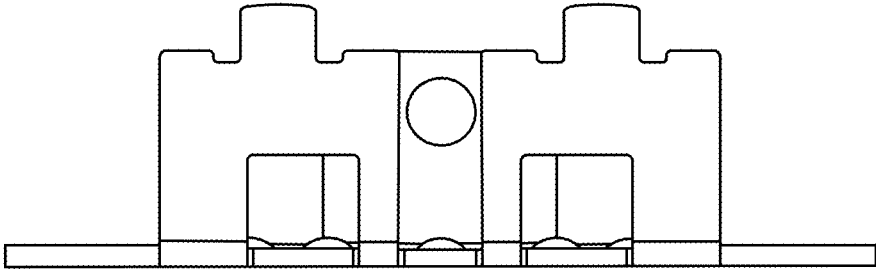


FIG. 5

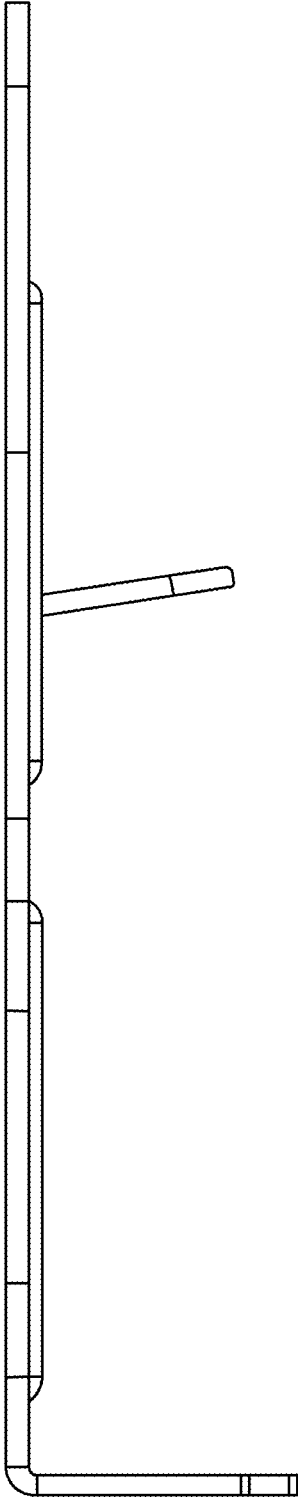


FIG. 6

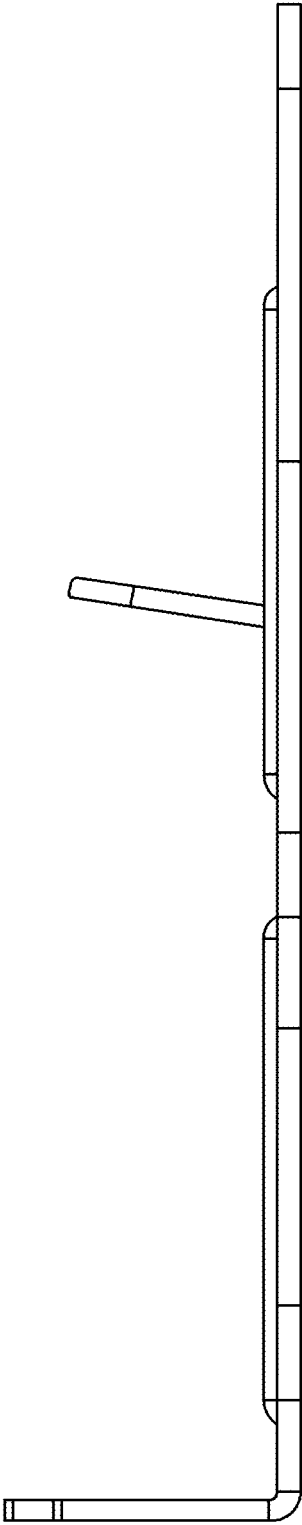


FIG. 7