



US00D732144S

(12) **United States Design Patent**  
**Bahler**

(10) **Patent No.:** **US D732,144 S**

(45) **Date of Patent:** **\*\* Jun. 16, 2015**

(54) **FAUCET SPOUT**

(71) Applicant: **Masco Corporation of Indiana,**  
Indianapolis, IN (US)

(72) Inventor: **Jordan Renee Bahler,** Westfield, IN  
(US)

(73) Assignee: **DELTA FAUCET COMPANY,**  
Indianapolis, IN (US)

(\*\*) Term: **14 Years**

(21) Appl. No.: **29/488,605**

(22) Filed: **Apr. 22, 2014**

(51) **LOC (10) Cl.** ..... **23-01**

(52) **U.S. Cl.**  
USPC ..... **D23/257**

(58) **Field of Classification Search**  
USPC ..... D23/238, 241–243, 249, 255, 257  
CPC ..... E03C 1/04; E03C 1/0401; E03C 1/0402;  
E03C 1/0404

See application file for complete search history.

(56) **References Cited**

U.S. PATENT DOCUMENTS

D525,347 S \* 7/2006 Schaffeld et al. .... D23/255  
D625,778 S \* 10/2010 Sandee et al. .... D23/238  
D713,017 S \* 9/2014 Citterio ..... D23/257

\* cited by examiner

*Primary Examiner* — Robert Delehanty

(74) *Attorney, Agent, or Firm* — Edgar A. Zarins; Nirav D. Parikh

(57) **CLAIM**

The ornamental design for a faucet spout, as shown and described.

**DESCRIPTION**

FIG. 1 is a perspective view of a faucet spout showing my new design;

FIG. 2 is a right side view thereof;

FIG. 3 is a left side view thereof;

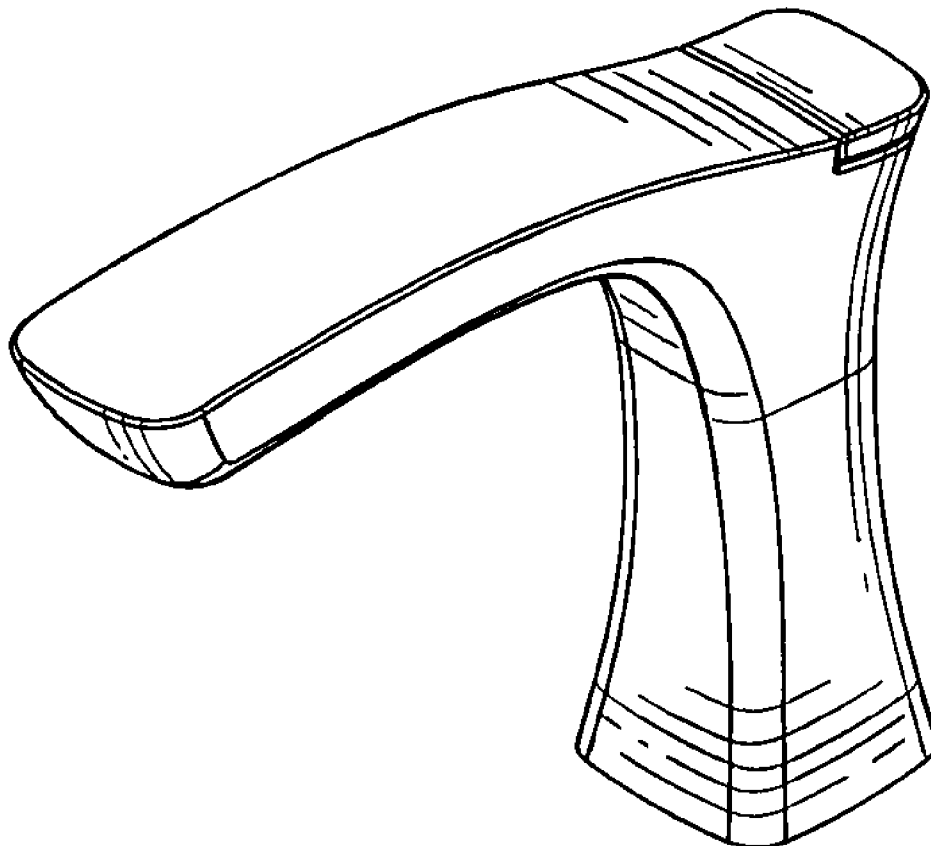
FIG. 4 is a top plan view thereof;

FIG. 5 is a bottom plan view thereof;

FIG. 6 is a front view thereof; and,

FIG. 7 is a rear view thereof.

**1 Claim, 2 Drawing Sheets**



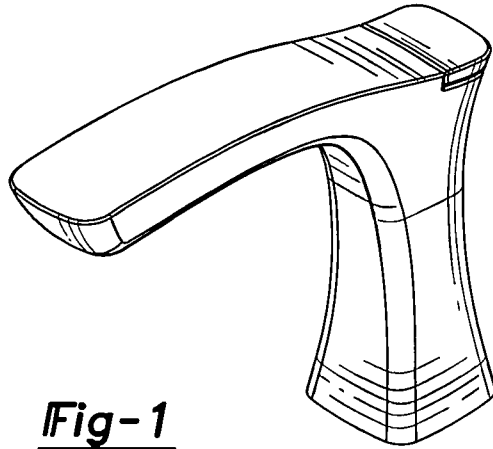


Fig-1

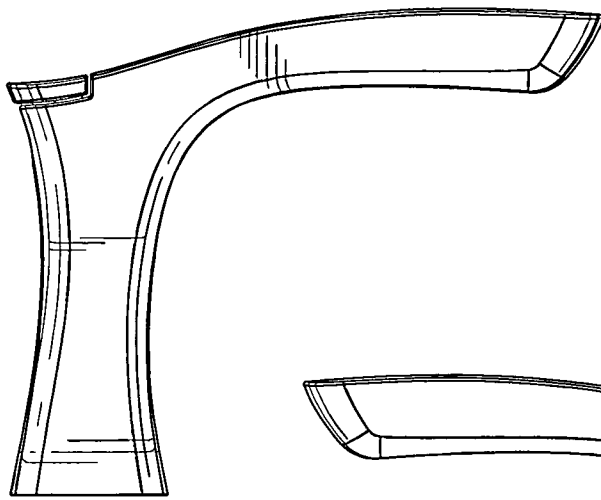


Fig-2

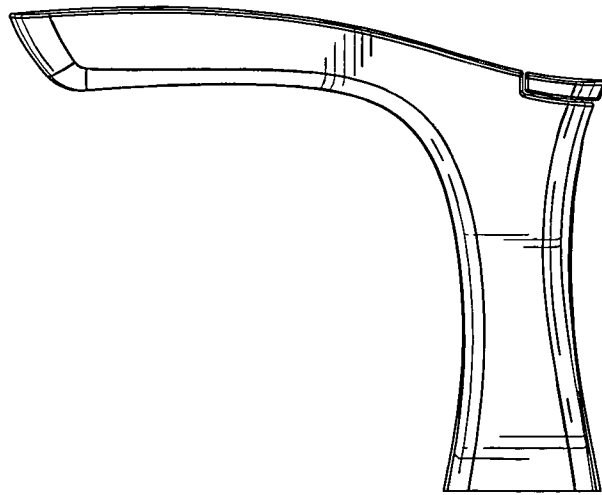


Fig-3

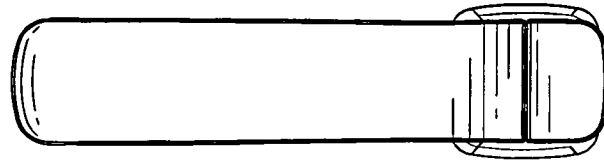


Fig-4

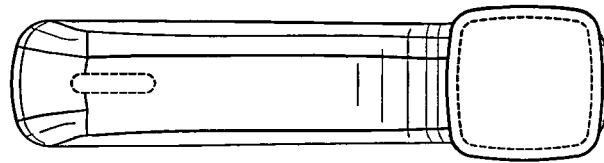


Fig-5

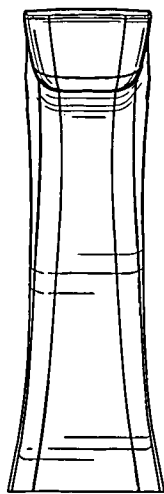


Fig-6

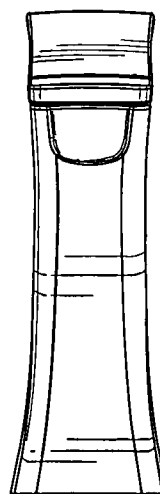


Fig-7