

[54] SPRAYER

D. 262,627 1/1982 David et al. D15/13
2,703,256 3/1955 Mascaro 222/613
4,240,583 12/1980 Hughes 239/157

[75] Inventor: Paul W. Ridgeon, Haslingfield, England

Primary Examiner—A. Hugo Word
Assistant Examiner—Ruth McInroy
Attorney, Agent, or Firm—Blum Kaplan

[73] Assignee: Walkover Sprayers Limited, Cambridge, England

[**] Term: 14 Years

[57] CLAIM

[21] Appl. No.: 127,006

The ornamental design for a sprayer, as shown and described.

[22] Filed: Nov. 30, 1987

[52] U.S. Cl. D15/13

[58] Field of Search D15/10, 13, 19, 26; 239/146, 157; 222/608, 613, 623, 624

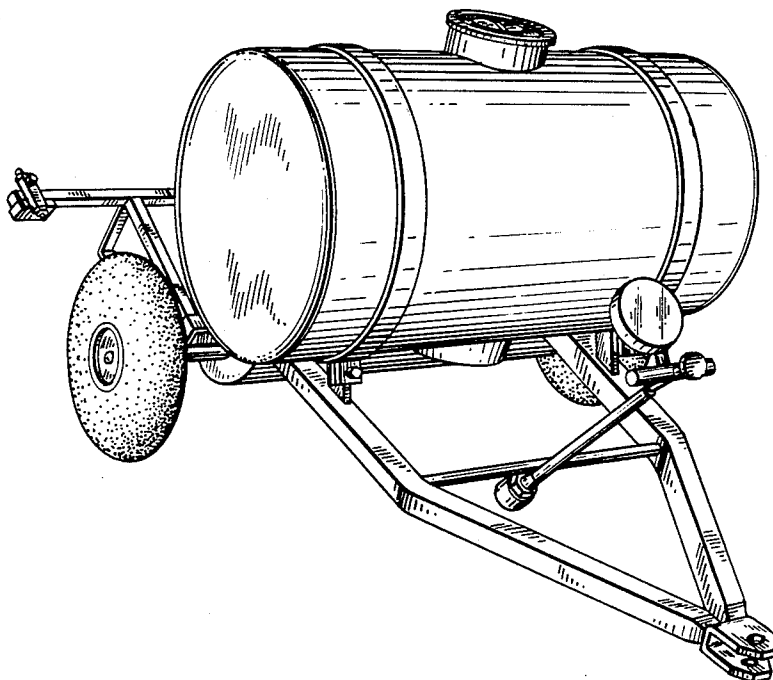
DESCRIPTION

[56] References Cited

U.S. PATENT DOCUMENTS

D. 232,938 9/1974 Hettich et al. D15/13
D. 235,996 7/1975 Schneider D15/13

FIG. 1 is a left side elevational view of a sprayer showing my new design;
FIG. 2 is a front elevational view thereof;
FIG. 3 is a top plan view thereof;
FIG. 4 is a right side elevational view thereof;
FIG. 5 is a rear elevational view thereof;
FIG. 6 is a bottom plan view thereof; and
FIG. 7 is a perspective view thereof.



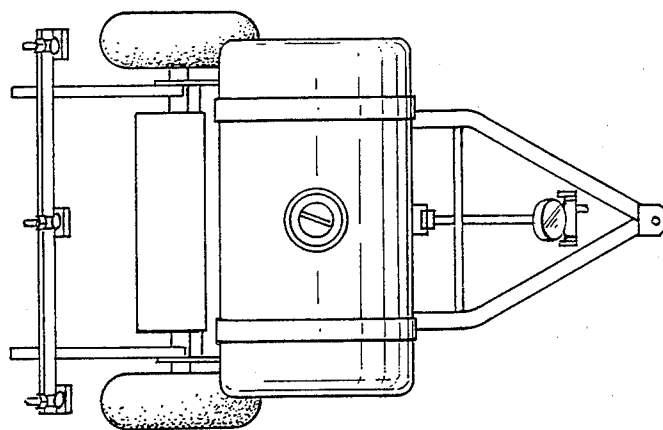
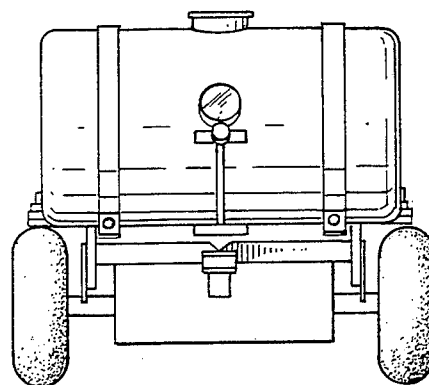
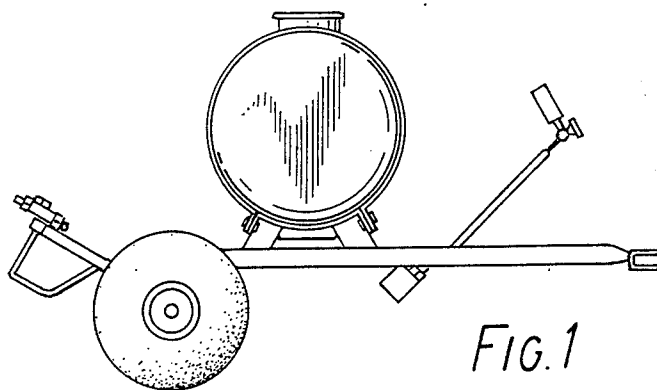


FIG. 3

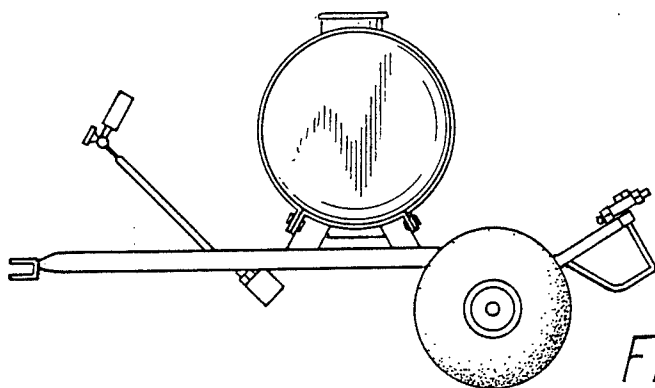


FIG. 4

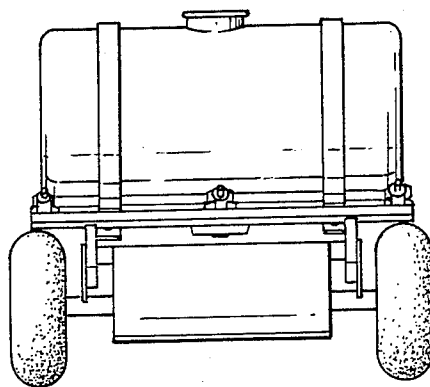


FIG. 5

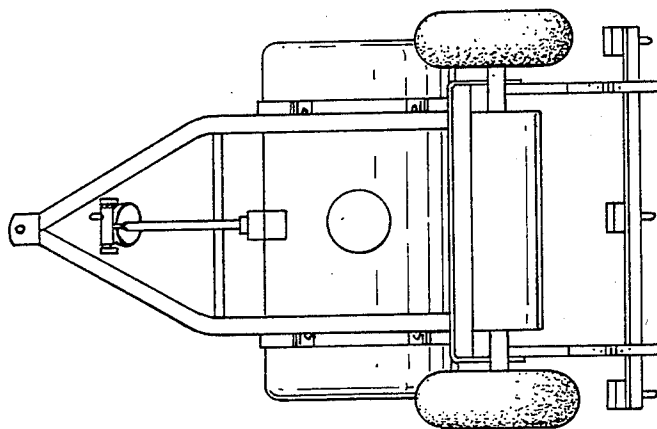


FIG. 6

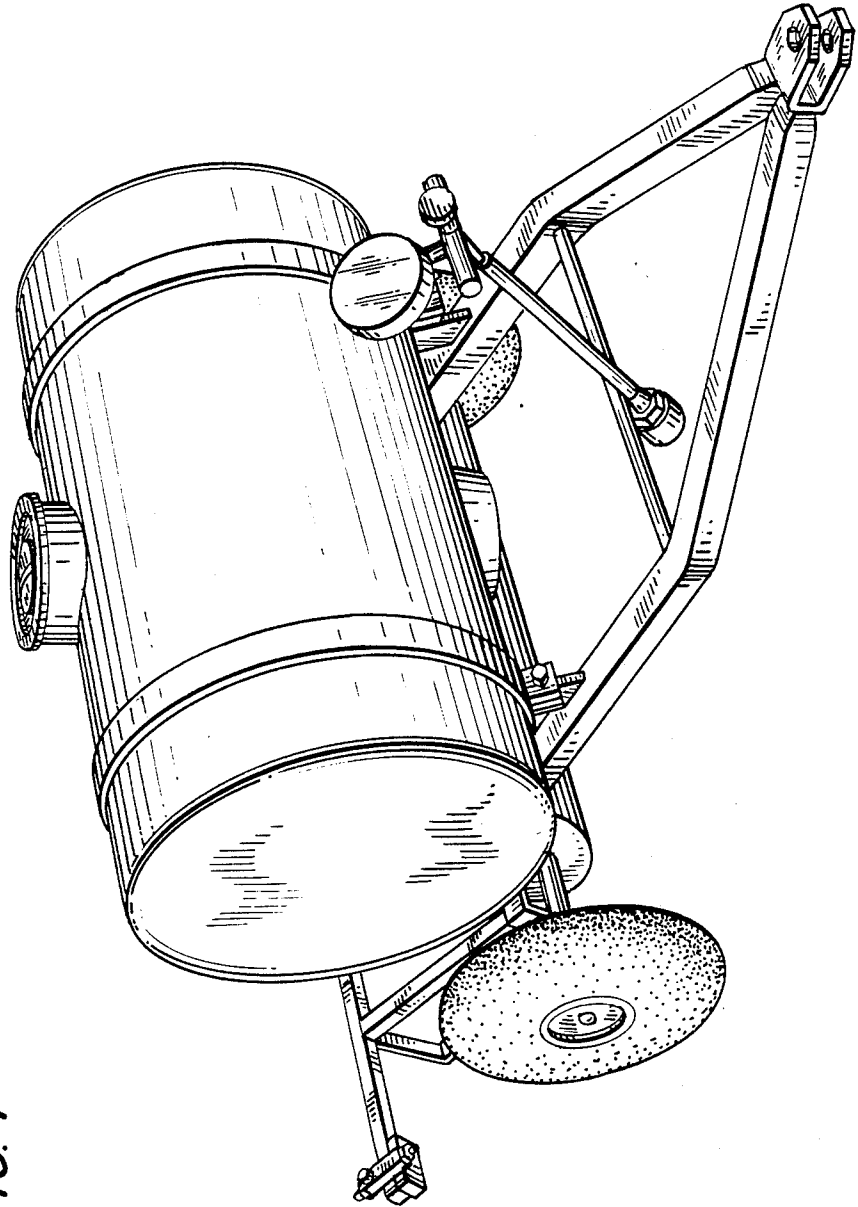


FIG. 7