



US00D832783S

(12) **United States Design Patent** (10) **Patent No.:** **US D832,783 S**
Leabman (45) **Date of Patent:** **** Nov. 6, 2018**

(54) **WIRELESS CHARGING DEVICE**
(71) Applicant: **ENERGOUS CORPORATION**, San Jose, CA (US)
(72) Inventor: **Michael A. Leabman**, San Ramon, CA (US)
(73) Assignee: **Energous Corporation**, San Jose, CA (US)

5,611,701 A 3/1997 Hahn
D389,455 S * 1/1998 Lindahl D13/103
D392,248 S * 3/1998 Johansson D13/103
D396,686 S * 8/1998 Bay D13/103
5,791,620 A 8/1998 Carcich, Jr.
D400,495 S * 11/1998 Deslyper D13/103
6,725,268 B1 4/2004 Jackel et al.
6,771,494 B2 8/2004 Shimano
7,242,353 B2 7/2007 Hung et al.
7,260,984 B2 8/2007 Roundy et al.

(Continued)

(**) Term: **15 Years**

OTHER PUBLICATIONS

(21) Appl. No.: **29/550,055**

The Silver-Frame of the Bulletin Board that says "Raching for the Stars" at <http://tpisusu1.weebly.com/top-10-before-open-house.com.html>; closeup of image from amazonaws.com.

(22) Filed: **Dec. 30, 2015**

(Continued)

(51) **LOC (11) Cl.** **13-02**

(52) **U.S. Cl.**
USPC **D13/108**

(58) **Field of Classification Search**
USPC D13/107-110, 118-119, 184; D14/251, D14/253, 432, 434
CPC Y02E 60/12; Y02T 90/14; Y02T 90/122; Y02T 90/128; Y02T 90/163; H02J 7/025; H02J 7/0042; H02J 7/0044; H02J 7/0045; H02J 7/0003; H01F 38/14; H01R 13/6675; H01M 2/1022; H01M 2/1055; H01M 10/44; H01M 10/46; H01M 10/425; B60L 11/182

See application file for complete search history.

Primary Examiner — Rosemary K Tarcza
(74) *Attorney, Agent, or Firm* — Morgan, Lewis & Bockius LLP

(57) **CLAIM**

The ornamental design for a wireless charging device, as shown and described.

DESCRIPTION

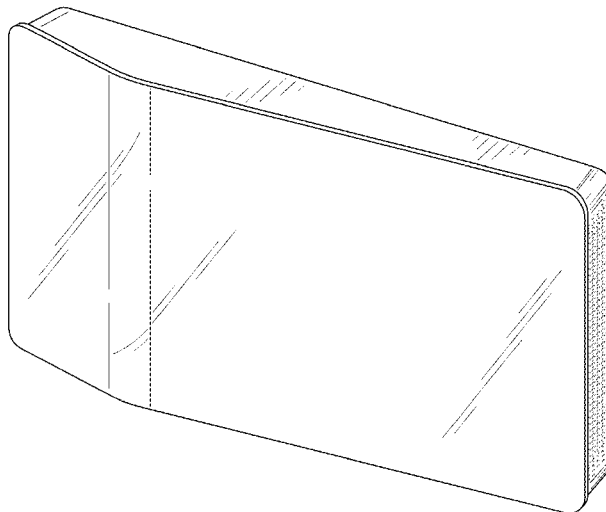
FIG. 1 is a perspective view of a wireless charging device showing our new design;
FIG. 2 is a front view of the wireless charging device;
FIG. 3 is a back view of the wireless charging device;
FIG. 4 is a right-side view of the wireless charging device;
FIG. 5 is a left-side view of the wireless charging device;
FIG. 6 is a top view of the wireless charging device; and,
FIG. 7 is a bottom view of the wireless charging device.
The broken lines are included for purposes of illustrating portions of the wireless charging device that form no part of the claimed design.

(56) **References Cited**

U.S. PATENT DOCUMENTS

1,802,999 A 4/1931 Budd
1,945,072 A 1/1934 Quigley
2,201,251 A 5/1940 Patten
3,560,092 A 2/1971 Coney
4,702,615 A 10/1987 Havel
5,022,170 A 6/1991 House
5,375,351 A 12/1994 King et al.
5,396,999 A 3/1995 Sandheinrich

1 Claim, 3 Drawing Sheets



(56)

References Cited

U.S. PATENT DOCUMENTS

D556,678	S	*	12/2007	Weinstein	D13/103
D562,760	S	*	2/2008	Hanks	D13/103
7,362,259	B2		4/2008	Gottwald		
D637,153	S	*	5/2011	Ikeda	D13/103
7,973,722	B1		7/2011	Hill et al.		
D644,989	S	*	9/2011	Guccione	D13/108
8,125,772	B2		2/2012	Kim		
8,285,231	B2		10/2012	Rofougaran et al.		
D680,061	S	*	4/2013	Jiang	D13/103
D682,196	S	*	5/2013	Leung	D13/103
D689,231	S	*	9/2013	Crawford	D13/108
D693,297	S	*	11/2013	Inskeep	D13/103
8,576,551	B2		11/2013	Oh et al.		
D697,473	S	*	1/2014	Guccione	D13/108
8,779,989	B2		7/2014	Huang et al.		
8,816,928	B2		8/2014	Weng		
D713,786	S	*	9/2014	Wen	D13/103
8,836,584	B2		9/2014	Kim et al.		
8,872,703	B2		10/2014	Degen et al.		
8,878,737	B2		11/2014	Rao		
8,890,751	B2		11/2014	Wolf et al.		
D719,091	S	*	12/2014	Leddusire	D13/110
8,922,434	B2		12/2014	Prat et al.		
D722,952	S	*	2/2015	Hu	D13/103
9,019,165	B2		4/2015	Shtrom et al.		
9,055,254	B2		6/2015	Selim		
D742,312	S	*	11/2015	Gupta	D13/103
D746,227	S	*	12/2015	Lemire-Elmore	D13/107
D755,121	S	*	5/2016	Barajas	D13/107
D762,168	S	*	7/2016	Sandoval	D13/107
D763,790	S	*	8/2016	Lei	D13/108
D770,440	S		11/2016	Chou		
D772,952	S		11/2016	Voss et al.		
D773,991	S	*	12/2016	Liu	D13/107
D791,070	S	*	7/2017	Son	D13/103
D795,874	S	*	8/2017	Szeremeta	D14/432
2004/0134718	A1		7/2004	Matsuda		
2004/0150943	A1		8/2004	Rock		
2004/0189625	A1		9/2004	Sato		
2007/0115188	A1		5/2007	Mizoguchi		
2007/0194994	A1		8/2007	Waltho		
2010/0182207	A1		7/2010	Miyata		
2012/0131504	A1		5/2012	Fadell		
2013/0346921	A1		12/2013	Shiplacoff		
2014/0082555	A1		3/2014	Wallace		
2014/0189608	A1		7/2014	Shuttleworth		
2014/0200903	A1		7/2014	Hancock		
2014/0236720	A1		8/2014	Shunock et al.		
2014/0298253	A1		10/2014	Jin et al.		
2014/0328549	A1		11/2014	Ahmann		
2014/0344294	A1		11/2014	Skeen et al.		
2015/0015504	A1		1/2015	Lee et al.		
2016/0041957	A1		2/2016	Finsterwald		

OTHER PUBLICATIONS

Dashboard Filter Grouping. Yellowfinbi.com (Online) Dec. 13, 2011 [retrieved Feb. 12, 2016] Retrieved from the Internet <URL: <http://www.yellowfinbi.com/YFForum-Dashboard-Filter-Grouping-?thread=109947>>. 2 pgs.

AVG Antiviral Android Apps. Bestandroidapp.in (online) Feb. 4, 2014 [retrieved Feb. 12, 2016]. Retrieved from the Internet <URL: <http://www.bestandroidapps.in/best-android-filter-apps/avg-antivirus-for-android>>. 4 pgs.

Kelly, "Tracking the Flue with Technolgy and Twitter".cnn.com (online) Jan. 30, 2013(retrieved Feb. 12, 2016). Retrieved from the Internet: <url: <http://kb.tableau.com/2013/01/30/tech/social-media/flu-tracking-twitter/>>.

Map of Vaccine Preventable Outbreaks'.healthmap.wordpress.com (online). Jun. 4, 2014 (retrieved Feb. 12, 2016). Retrieved from the internet: <URL: <https://healthmap.worpress.com/2014/06/04/map-of-vaccine-preventable-outbreaks/>>.

Syncing a Quick Filter with a Dashboard Filter Action. Kb.tebeau.com (online) Jan. 30, 2013 [retrieved Feb. 12, 2016] Retrieved from the Internet: <URL: <http://kb.tableau.com/articles/knowledgebase/action-quick-filter-syrnc>>. 4 pgs.

Kelly, Heather. Tracking the flu with technology and Twitter. Cnn.com (online) Jan. 30, 2013. [retrieved Feb. 12, 2016] Retrieved from the Internet: <URL: <http://www.cnn.com/2013/01/30/tech/social-media/flu-tracking-twitter/>>. 7 pgs.

Riggs, Mike. The Extent of America's (Totally Unnecessary) Whooping Cough Outbreak. Citylab.com (Online) Jan. 22, 2014 [retrieved Feb. 12, 2016] Retrieved from the Internet: <URL: <http://www.citylab.com/design/2014/map-shows-extent-americas-totally-unnecessary-whooping-cough-outbreaks/8162/>>. 5 pgs.

"Whattup charge your phone from up to 20 feet (6 meters) away," [online], posted opn Jan. 19, 2015, Retrieved Mar. 1, 2016, retrieved from <<http://forum.ae.com/eaforum/postes/list/10279297.pages>> 4 pgs.

Jquery Checked Selector. Stackoverflow.com (online) Aug. 8, 2012 [Retrieved Aug. 30, 2016]. Retrieved from the Internet: <URL: <http://stackoverflow.com/questions/118689157/jquery-checked-selector>>. 4 pgs.

McClintock, Matthleu. "Databales" ocoacloud.atlassian.net(online). Nov. 22, 2015 [Retrieved Aug. 29, 2016]. Retrieved from the Internet: <URL: <https://ocoacloud.atlassian.net/wiki/display/SD/Databales>>. 4 pgs.

Amarenda, Rapura. Bootstrap Table with Sorting, Searching and Paging using data Table.js (Responsive). Codeproject.com (online). Sep. 26, 2014 [retrieved Aug. 29, 2016] Retrieved from the Internet: <URL: <http://www.codeproject.com/Tips/823490/Bootstrap-Table-with-Sorting-Searching-and-Paging>>. 11 pgs.

Letts, Nick. "Bootstrap Makes Me Look Good". Shinesoulutions.com (online)Mar. 7, 2012[retrieved Aug. 30, 2016] Retrieved from the Internet: <URL: <https://shinesoulutions.com/2012/03/07/bootstrap-making-me-look-good/>>.

Best iPhone app review sites—The list to promote IOS apps' reviewfordev.com (online) Nov. 12, 2012 [retrieved Feb. 12, 2016] Retrieved from the Internet: <URL: <http://reviewfordev.com/blog/best-iphone-app-review-sites-the-list-to-promote-ios-apps/>>. 2 pgs.

Chapman, Cameron. "Better UI Design: Proper Use of Tables" noupe.com (online) Jul. 26, 2010 [retrieved Feb. 12, 2016] Retrieved from the Internet: <URL: <http://www.noupe.com/design/better-ui-design-proper-use-of-tables.html>>.

O'Mahony, Jennifer. Christmas Gifts list Manager App Review telegraph.co.uk (online) Nov. 29, 2012 [retrieved Feb. 12, 2016] Retrieved from the Internet: URL: <http://www.telegraph.co.uk/technology/reviews/9710912/Christmas-Gifts-Manager-App-review.html>.

Hodgkins, Kelly. "Pandora and Spotify Lead App Store Music Rankings as Beats Coninues to Lag." macrumors.com (online) Oct. 29, 2014 [retrieved Feb. 12, 2016] Retrieved from the Internet. <URL: <http://www.macrumors.com/2014/10/29/beats-music-trails-pandora-spotify/>>. 5 pgs.

"Allmyapps is a Windows App Store". Nirmaltv.com (online). Dec. 22, 2010 [retrieved Feb. 12, 2016]. Retrieved from the Internet. <URL: <http://www.nirmaltv.com/2010/12/22/allmyapps-is-a-windows-app-sotre/>>. 5 pgs.

* cited by examiner

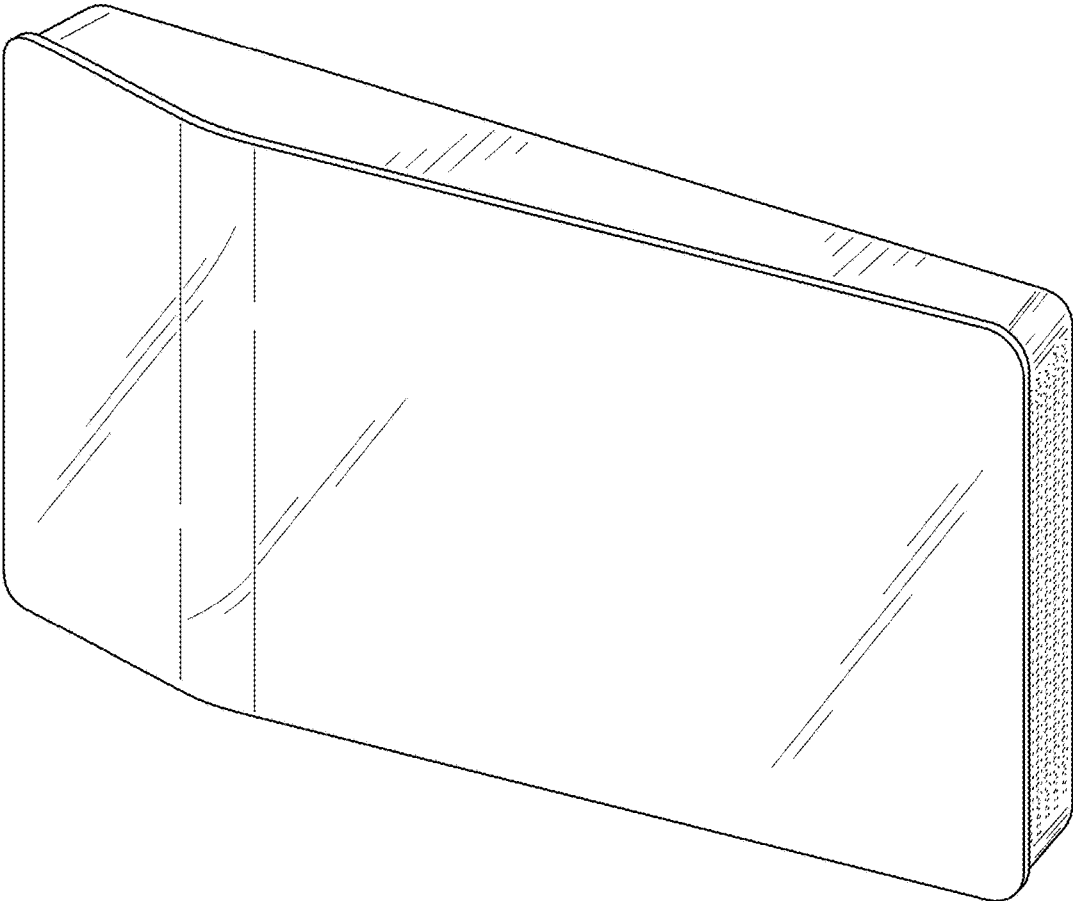


FIG. 1

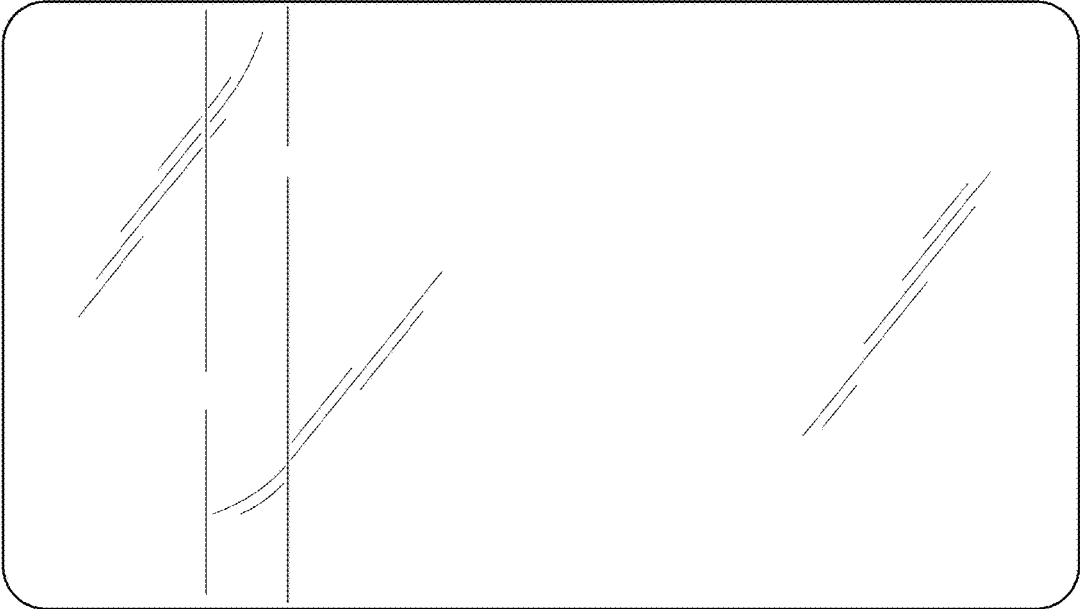


FIG. 2

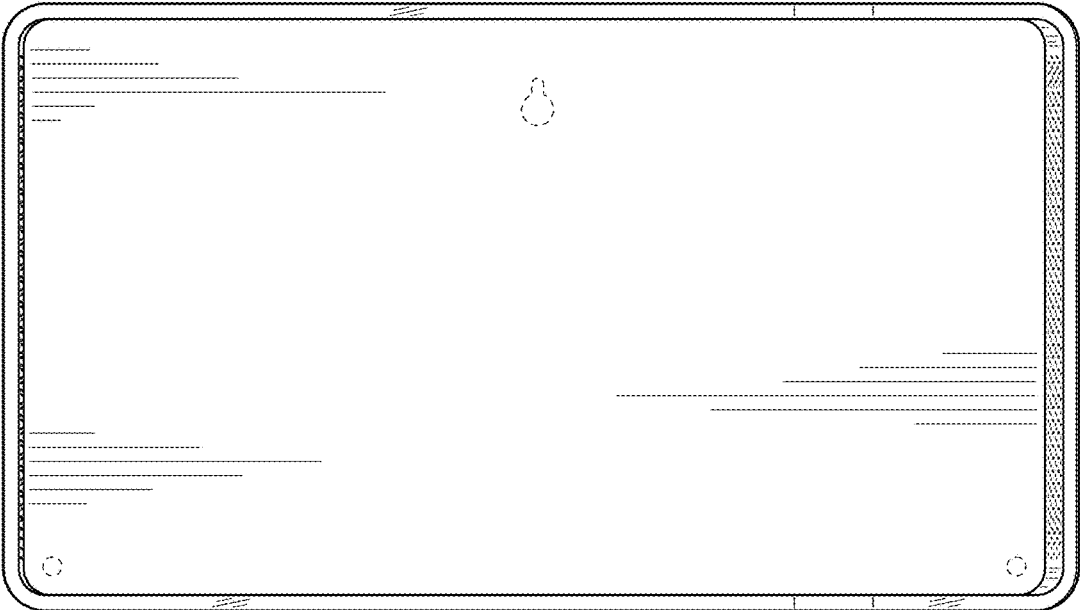


FIG. 3

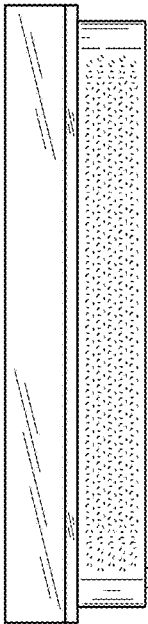


FIG. 4

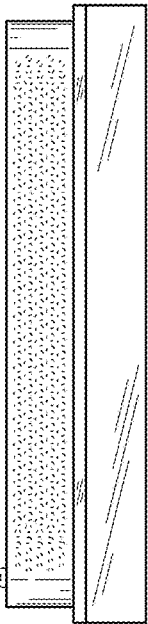


FIG. 5



FIG. 6

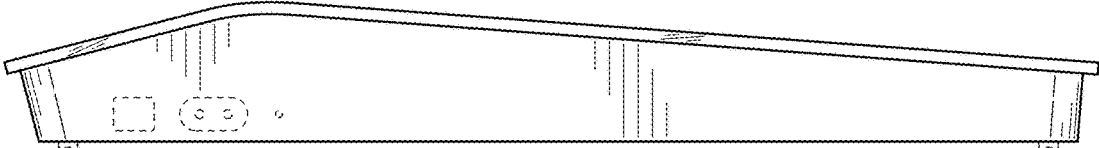


FIG. 7