



US00D390843S

# United States Patent [19]

Rosen

[11] Patent Number: **Des. 390,843**

[45] Date of Patent: **\*\*Feb. 17, 1998**

[54] **WALL-MOUNTED MONITOR**

[75] Inventor: **John B. Rosen**, Eugene, Oreg.

[73] Assignee: **Advanced Multimedia Products Corporation**, Eugene, Oreg.

[\*\*] Term: **14 Years**

[21] Appl. No.: **66,477**

[22] Filed: **Feb. 6, 1997**

[51] **LOC (6) CL** ..... **14-03**

[52] **U.S. CL** ..... **D14/126**

[58] **Field of Search** ..... **D14/113, 126, D14/132, 134, 239; D12/345, 415, 418, 421; D24/158; D20/10, 42; 248/917-924; 297/188.16, 188.17, 217.3; 312/7.2; 348/825, 827, 836-838**

[56] **References Cited**

**U.S. PATENT DOCUMENTS**

- D. 299,491 1/1989 Masuda .
- D. 310,359 9/1990 Inukai ..... D14/113
- D. 339,574 9/1993 Althans et al. .... D14/113
- D. 355,676 2/1995 Wilson ..... D20/10

4,635,110 1/1987 Weinblatt .  
4,843,477 6/1989 Mizutani et al. .

*Primary Examiner*—Ted Shooman  
*Assistant Examiner*—Richelle Shelton  
*Attorney, Agent, or Firm*—Kolisch, Hartwell, Dickinson, McCormack & Heuser

[57] **CLAIM**

The ornamental design for a wall-mounted monitor, as shown and described.

**DESCRIPTION**

FIG. 1 is a front elevational view of a wall-mounted monitor showing my invention, the broken line showing of the aircraft and bulkhead is for illustrative purposes only and forms no part of the claimed design;

FIG. 2 is an enlarged front elevational view of the monitor shown in FIG. 1;

FIG. 3 is a top plan view thereof;

FIG. 4 is a bottom plan view thereof;

FIG. 5 is a right-side elevational view thereof, the left-side elevational view being a mirror image; and,

FIG. 6 is a rear elevational view thereof.

**1 Claim, 3 Drawing Sheets**

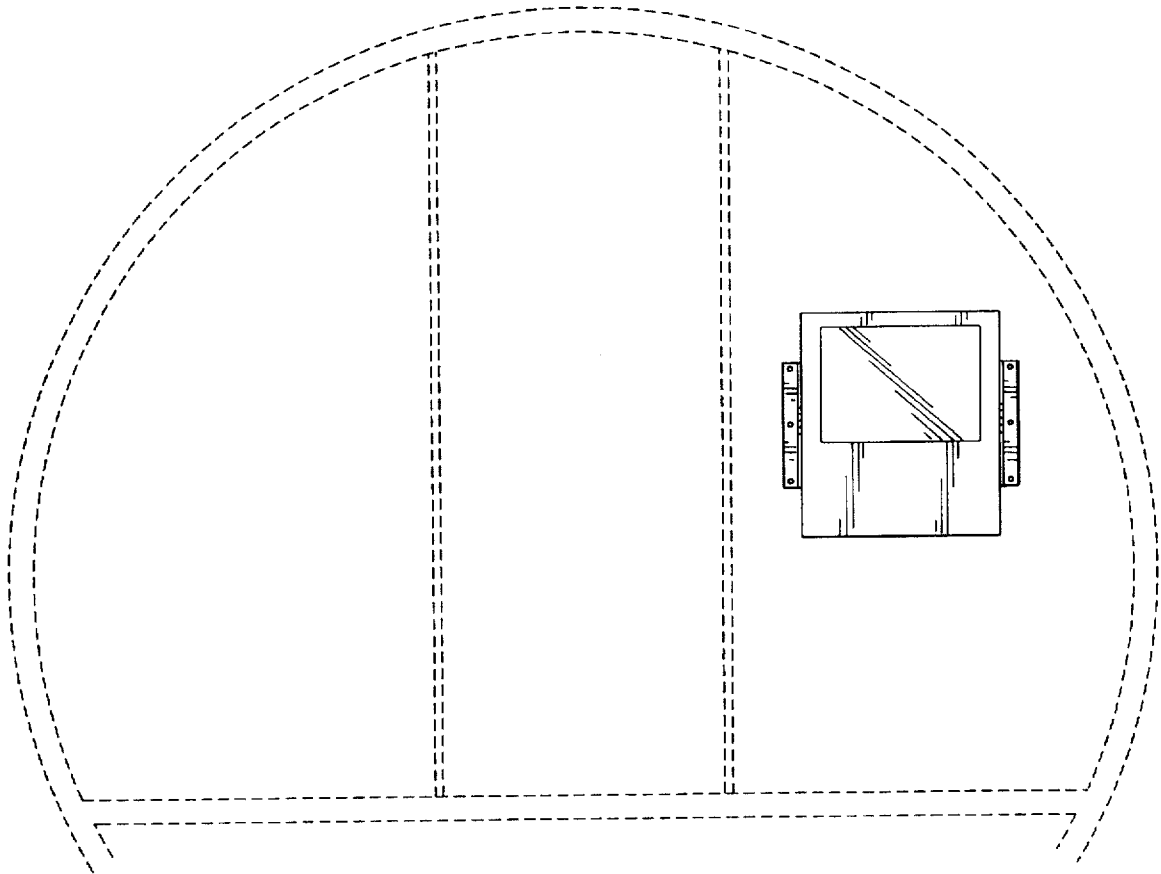
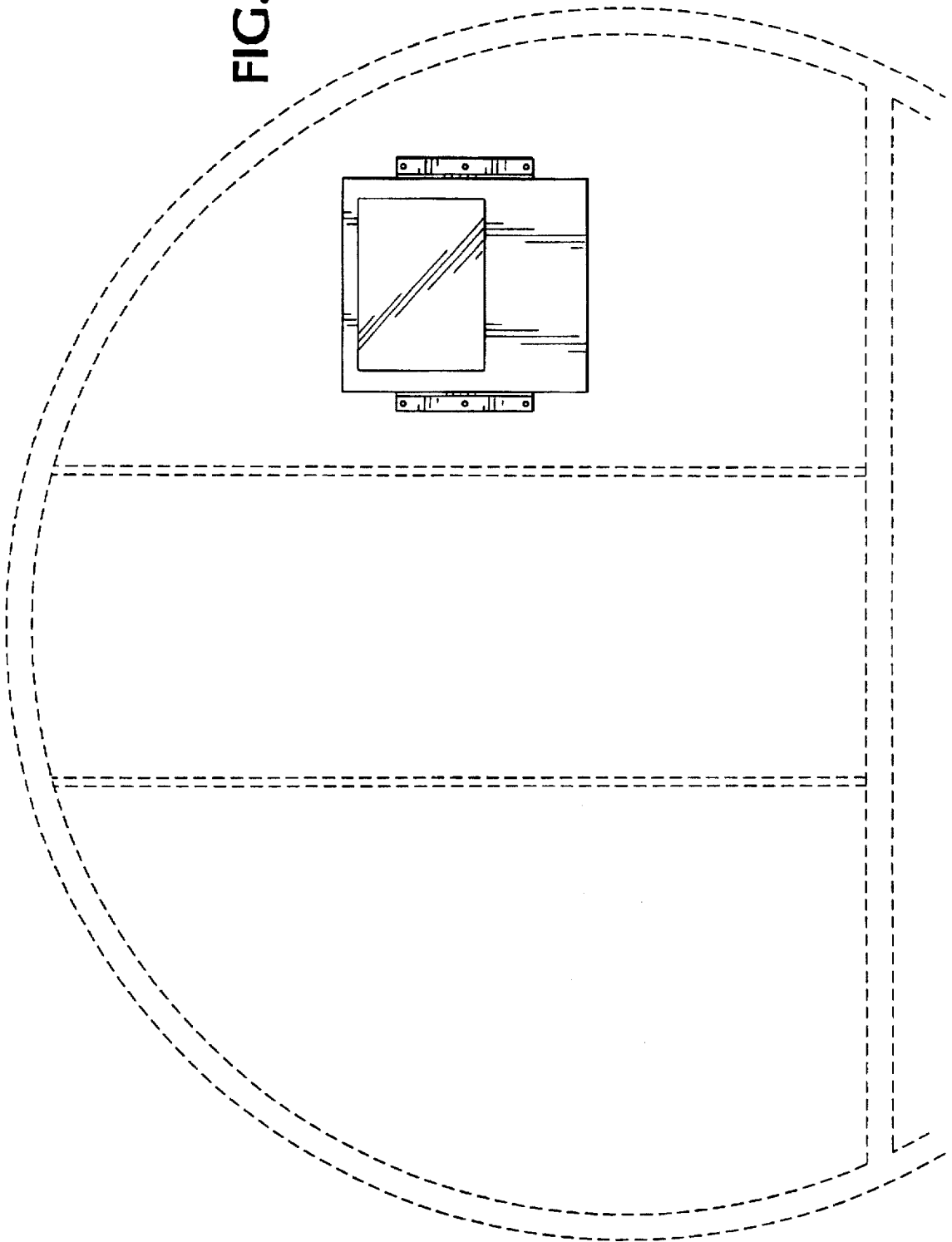


FIG.1



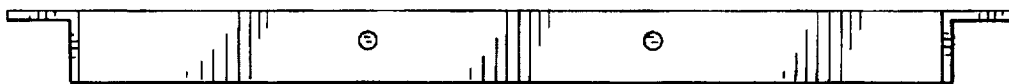


FIG. 3

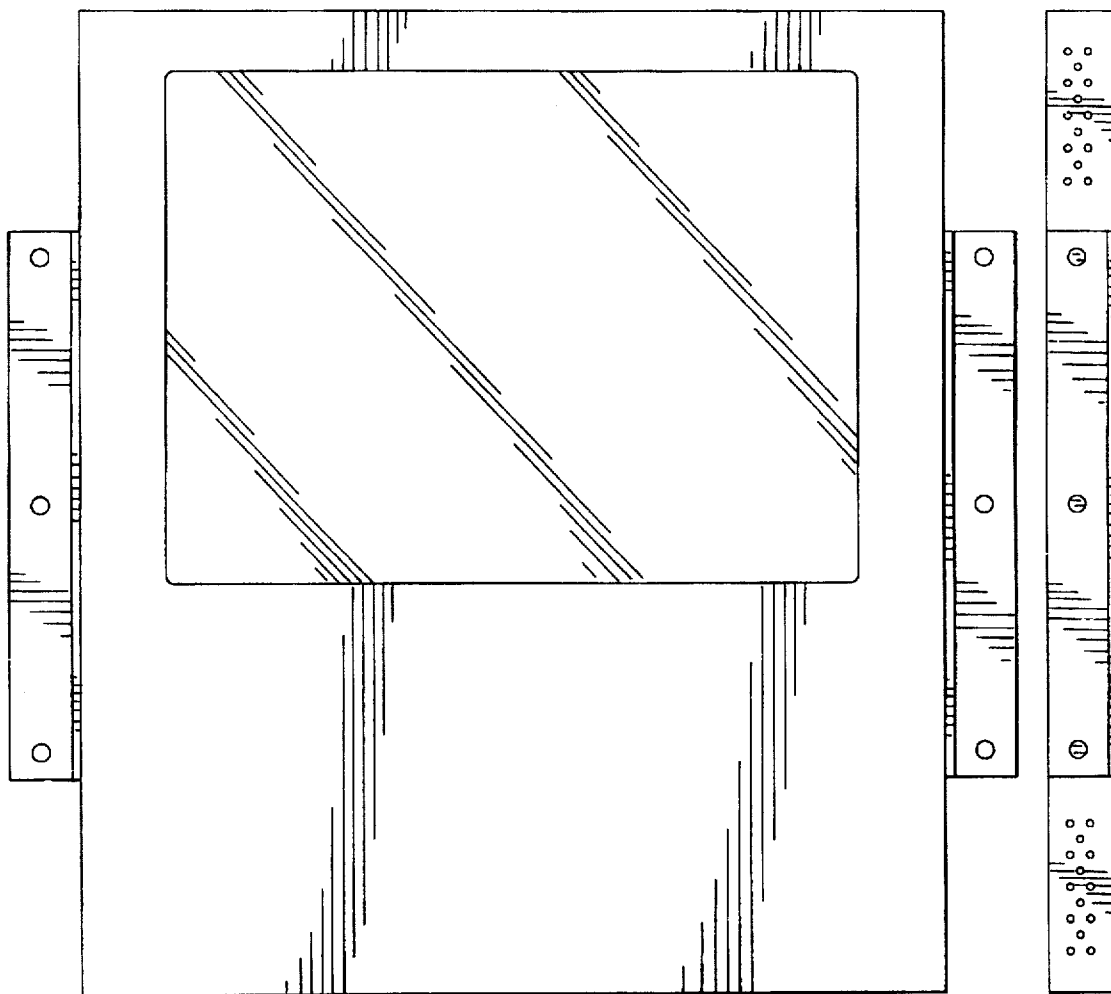


FIG. 2

FIG. 5

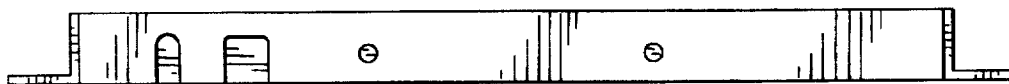


FIG. 4

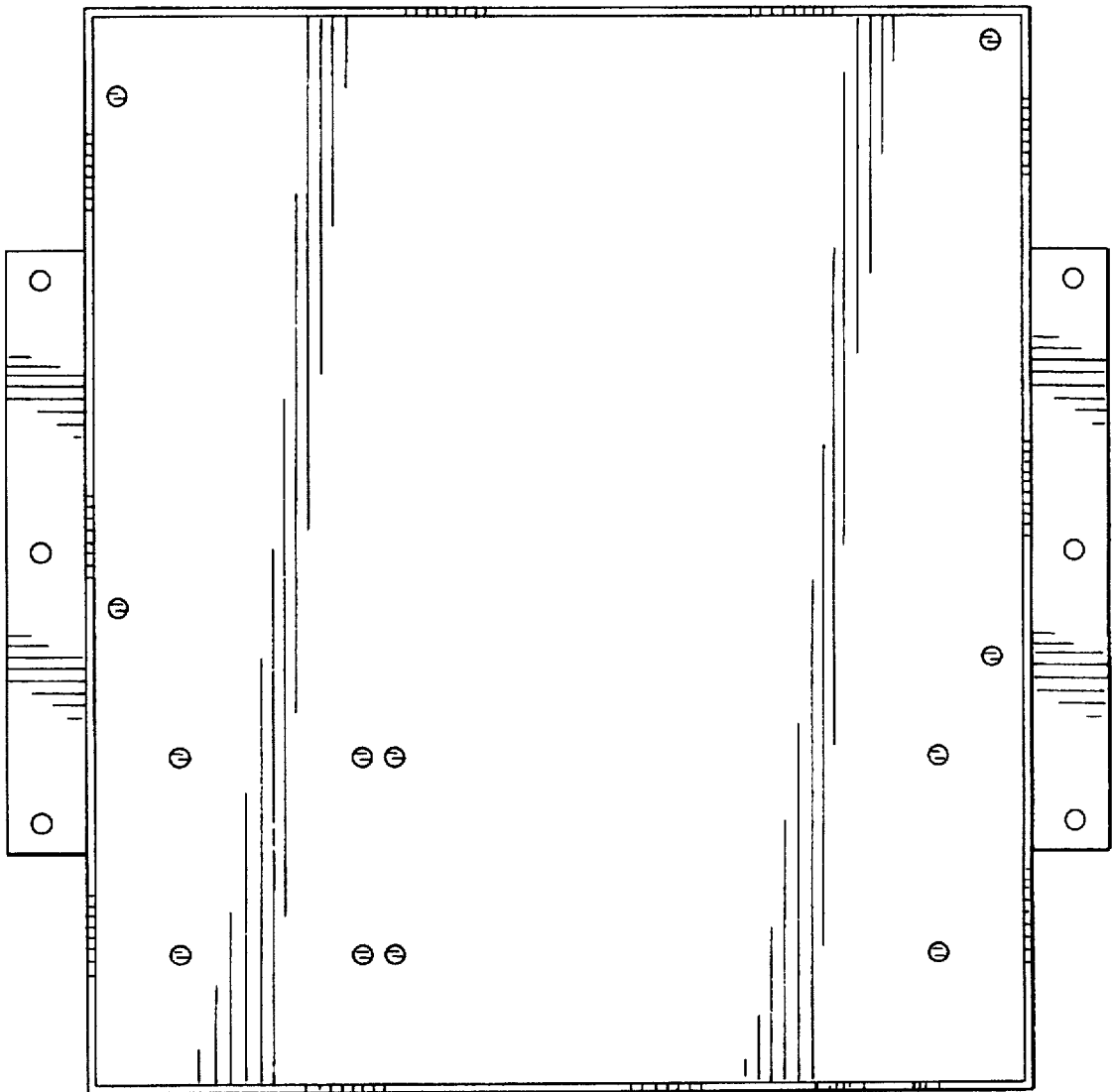


FIG.6