

(19) World Intellectual Property Organization
International Bureau



(43) International Publication Date
21 December 2007 (21.12.2007)

PCT

(10) International Publication Number
WO 2007/146705 A3

(51) International Patent Classification:

G07F 7/04 (2006.01) G07F 9/08 (2006.01)
G06F 7/00 (2006.01) G07F 19/00 (2006.01)
G06F 9/00 (2006.01)

(21) International Application Number:

PCT/US2007/070499

(22) International Filing Date: 6 June 2007 (06.06.2007)

(25) Filing Language: English

(26) Publication Language: English

(30) Priority Data:

60/812,257 9 June 2006 (09.06.2006) US

(71) Applicant (for all designated States except US): **MEI, INC.** [US/US]; 1301 Wilson Drive, West Chester, Pennsylvania 19380 (US).

(72) Inventors; and

(75) Inventors/Applicants (for US only): **SHUREN, Thomas E.** [US/US]; 1495 West Belvidere Circle, West Chester, Pennsylvania 19380 (US). **YOUNG, Neil M.** [US/US]; 1502 Pamela Drive, Downingtown, Pennsylvania 19335 (US). **YELLOW, Andrew M.** [GB/GB]; 6 Bullfinch Close, College Town, Sandhurst Berkshire GU47 0XU (GB).

FURNEAUX, David M. [GB/GB]; Seymour, Whitchurch Hill, Reading Berkshire RG8 7PG (GB). **AURELIUS, Karen** [GB/GB]; Heather Cottage, Bull Lane, Riseley, Nr Reading Berkshire RG7 1SE (GB).

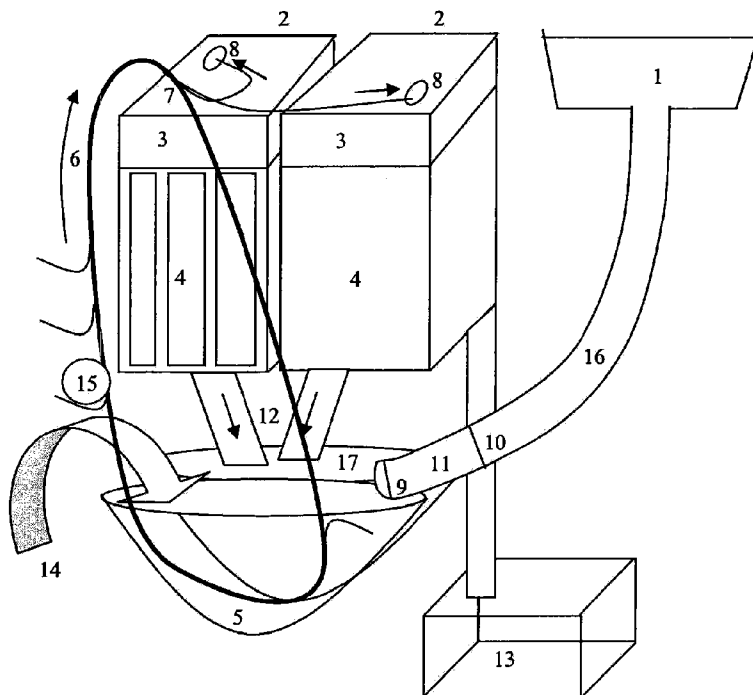
(74) Agent: **BORODACH, Samuel**; Fish & Richardson P.C., P.O. Box 1022, Minneapolis, Minnesota 55440-1022 (US).

(81) Designated States (unless otherwise indicated, for every kind of national protection available): AE, AG, AL, AM, AT, AU, AZ, BA, BB, BG, BH, BR, BW, BY, BZ, CA, CH, CN, CO, CR, CU, CZ, DE, DK, DM, DO, DZ, EC, EE, EG, ES, FI, GB, GD, GE, GH, GM, GT, HN, HR, HU, ID, IL, IN, IS, JP, KE, KG, KM, KN, KP, KR, KZ, LA, LC, LK, LR, LS, LT, LU, LY, MA, MD, ME, MG, MK, MN, MW, MX, MY, MZ, NA, NG, NI, NO, NZ, OM, PG, PH, PL, PT, RO, RS, RU, SC, SD, SE, SG, SK, SL, SM, SV, SY, TJ, TM, TN, TR, TT, TZ, UA, UG, US, UZ, VC, VN, ZA, ZM, ZW.

(84) Designated States (unless otherwise indicated, for every kind of regional protection available): ARIPO (BW, GH, GM, KE, LS, MW, MZ, NA, SD, SL, SZ, TZ, UG, ZM, ZW), Eurasian (AM, AZ, BY, KG, KZ, MD, RU, TJ, TM), European (AT, BE, BG, CH, CY, CZ, DE, DK, EE, ES, FI, FR, GB, GR, HU, IE, IS, IT, LT, LU, LV, MC, MT, NL, PL,

[Continued on next page]

(54) Title: BATCH RE-LOAD OF A COIN RECYCLER



(57) Abstract: Replenishing coins in a coin store associated with a coin handling device includes feeding a batch of coins from a bulk coin store to a receptacle near the coin handling device, delivering coins from the receptacle to the coin handling device and routing at least some of those coins from the coin handling device to the coin store associated with the coin handling device.

WO 2007/146705 A3



PT, RO, SE, SI, SK, TR), OAPI (BF, BJ, CF, CG, CI, CM,
GA, GN, GQ, GW, ML, MR, NE, SN, TD, TG).

Published:

— *with international search report*

(88) Date of publication of the international search report:

30 October 2008

INTERNATIONAL SEARCH REPORT

International application No.

PCT/US20/07070499

A. CLASSIFICATION OF SUBJECT MATTER

IPC: G07F 7/04(2006.01);G06F 7/00(2006.01);G06F 9/00(2006.01);G07F 9/08(2006.01);G06F 19/00(2006.01)

USPC: 194/217

According to International Patent Classification (IPC) or to both national classification and IPC

B. FIELDS SEARCHED

Minimum documentation searched (classification system followed by classification symbols)
U.S. : 194/217

Documentation searched other than minimum documentation to the extent that such documents are included in the fields searched

Electronic data base consulted during the international search (name of data base and, where practicable, search terms used)
East

C. DOCUMENTS CONSIDERED TO BE RELEVANT

Category *	Citation of document, with indication, where appropriate, of the relevant passages	Relevant to claim No.
Y --- X	US 2004/0231956 A1 (ADAMS et al) 25 November 2004 (25.11.2004), entire document.	1-5, 9-19, 21, 24, 25, 32-41, 43-45 ----- 6-8, 20, 23, 26-31, 42 and 46-49
X	US 6,179,703 B1 (KNUTSSON et al) 30 January 2001 (30.01.2001), entire document.	6-8; 20, 23, 26-31, 42 and 46-49

Further documents are listed in the continuation of Box C.


See patent family annex.

Special categories of cited documents:		"T"
"A"	document defining the general state of the art which is not considered to be of particular relevance	later document published after the international filing date or priority date and not in conflict with the application but cited to understand the principle or theory underlying the invention
"E"	earlier application or patent published on or after the international filing date	"X"
"L"	document which may throw doubts on priority claim(s) or which is cited to establish the publication date of another citation or other special reason (as specified)	document of particular relevance; the claimed invention cannot be considered novel or cannot be considered to involve an inventive step when the document is taken alone
"O"	document referring to an oral disclosure, use, exhibition or other means	"Y"
"P"	document published prior to the international filing date but later than the priority date claimed	document of particular relevance; the claimed invention cannot be considered to involve an inventive step when the document is combined with one or more other such documents, such combination being obvious to a person skilled in the art
		"&"
		document member of the same patent family

Date of the actual completion of the international search
16 March 2008 (16.03.2008)

Date of mailing of the international search report
05 AUG 2008

Name and mailing address of the ISA/US
Mail Stop PCT, Attn: ISA/US
Commissioner for Patents
P.O. Box 1450
Alexandria, Virginia 22313-1450
Facsimile No. (571) 273-3201

Authorized officer
Jeffrey A. Shapiro 
Telephone No. 571-272-3600