



(12) **United States Design Patent**  
**Du et al.**

(10) **Patent No.:** **US D952,645 S**  
(45) **Date of Patent:** **\*\* May 24, 2022**

(54) **FLASH DISK**  
(71) Applicant: **NETAC TECHNOLOGY CO., LTD.,**  
Shenzhen (CN)  
(72) Inventors: **Tiejun Du, Shenzhen (CN); Zhigang**  
**Zhu, Shenzhen (CN); Weilong He,**  
Shenzhen (CN)  
(73) Assignee: **NETAC TECHNOLOGY CO., LTD.,**  
Shenzhen (CN)  
(\*\*) Term: **15 Years**  
(21) Appl. No.: **29/752,941**  
(22) Filed: **Sep. 29, 2020**

D542,788 S *	5/2007	Gutmann .....	D14/480.5
D555,158 S *	11/2007	Lo .....	D14/480.5
D583,816 S *	12/2008	Guccione .....	D14/480.5
D597,879 S *	8/2009	Aikawa .....	D10/104.1
D601,141 S *	9/2009	Moshes .....	D14/480.7
D610,134 S *	2/2010	Gotzen .....	D14/480.5
D615,985 S *	5/2010	Landry .....	D14/480.5
D688,255 S *	8/2013	Daniel .....	D14/480.4
D691,152 S *	10/2013	Meisel .....	D14/480.3
D711,891 S *	8/2014	Emami .....	D14/480.5
D717,309 S *	11/2014	Govindarajan .....	D14/480.6

\* cited by examiner

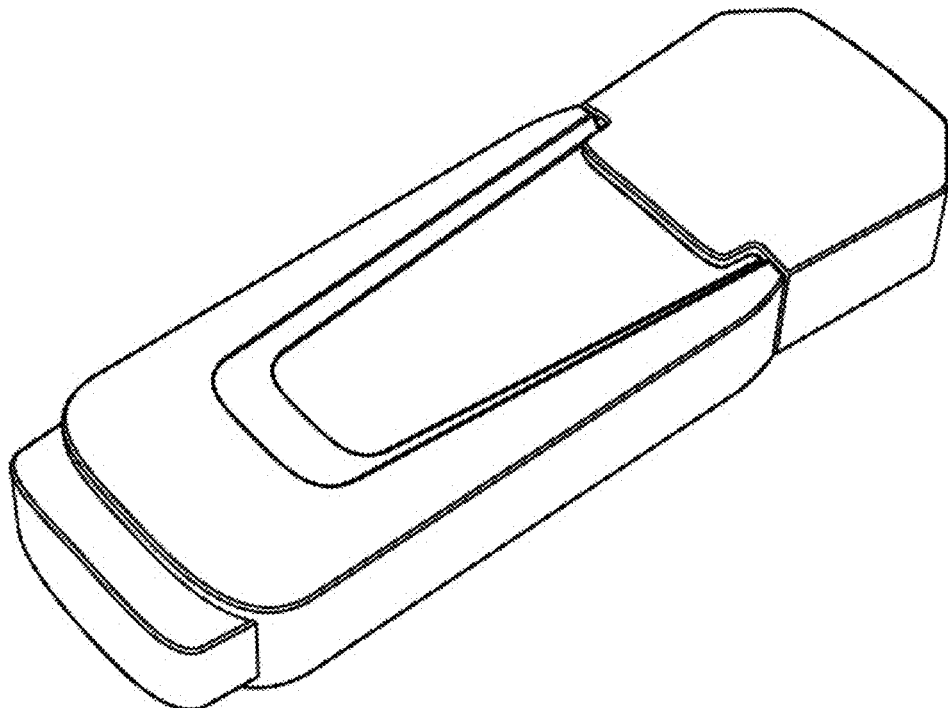
*Primary Examiner* — Angela J Lee  
(74) *Attorney, Agent, or Firm* — Anova Law Group,  
PLLC

(30) **Foreign Application Priority Data**  
Apr. 9, 2020 (CN) ..... 202030135538.X  
(51) **LOC (13) Cl.** ..... **14-03**  
(52) **U.S. Cl.**  
USPC ..... **D14/480.5**  
(58) **Field of Classification Search**  
USPC ..... D14/480.1–480.7, 435.1, 411, 433, 436,  
D14/484.1, 137, 155, 203.1–203.8, 240,  
D14/242, 496, 474; D13/133, 154  
CPC ..... H05K 5/0278; G06K 19/07732  
See application file for complete search history.

(57) **CLAIM**  
The ornamental design for a flash disk, as shown and  
described.

(56) **References Cited**  
U.S. PATENT DOCUMENTS  
D491,143 S \* 6/2004 Jiang ..... D14/435.1  
D520,996 S \* 5/2006 Deng ..... D14/480.5

**DESCRIPTION**  
FIG. 1 is a front perspective view of a flash disk showing my  
new design;  
FIG. 2 is a rear perspective view thereof;  
FIG. 3 is a front view thereof;  
FIG. 4 is a rear view thereof;  
FIG. 5 is a left view thereof;  
FIG. 6 is a right view thereof;  
FIG. 7 is a top view thereof; and,  
FIG. 8 is a bottom view thereof.  
**1 Claim, 6 Drawing Sheets**



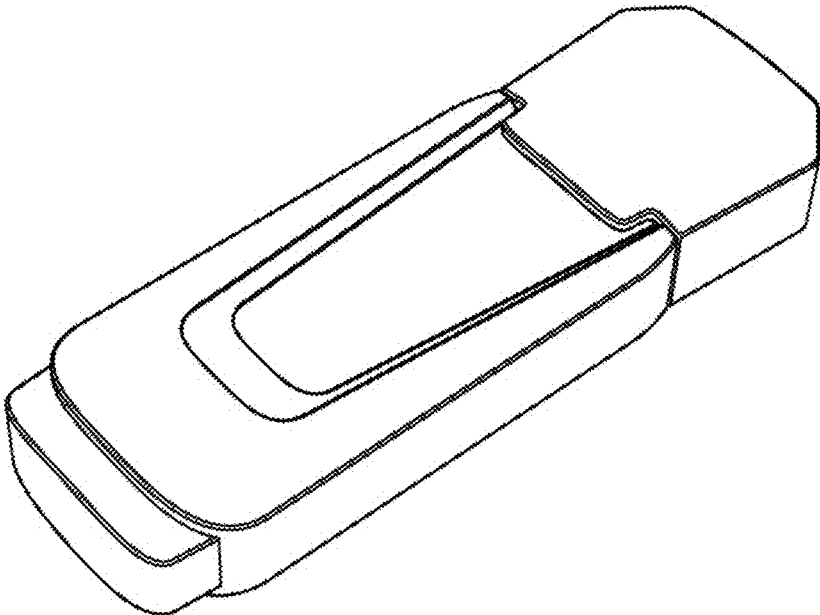


FIG. 1

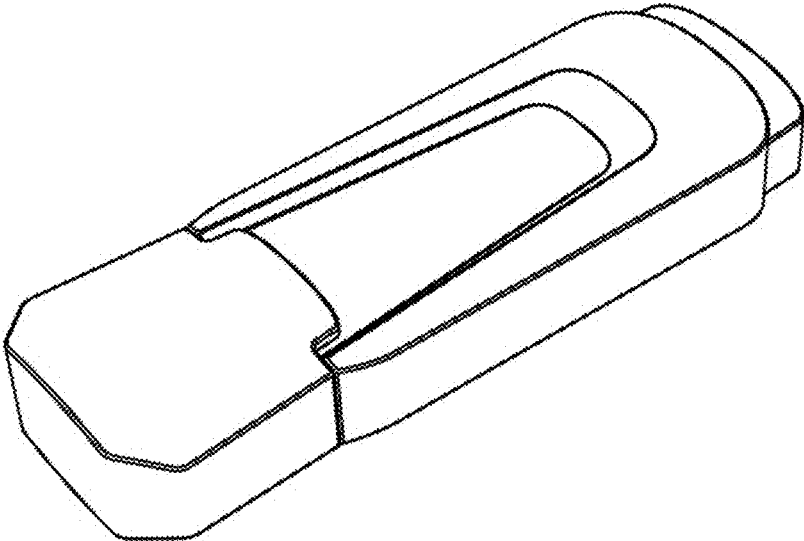


FIG. 2

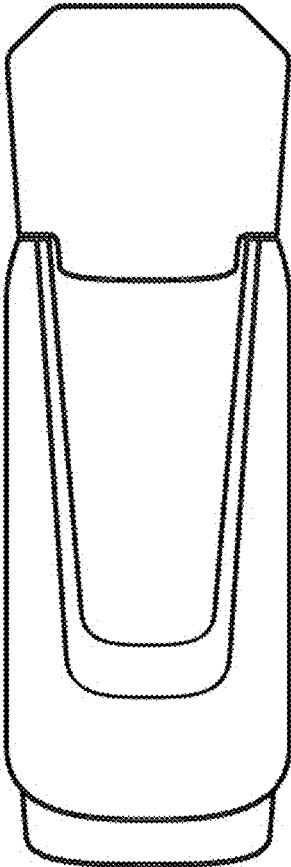


FIG. 3

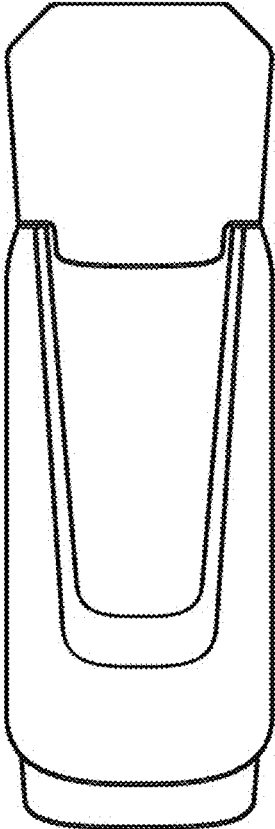


FIG. 4

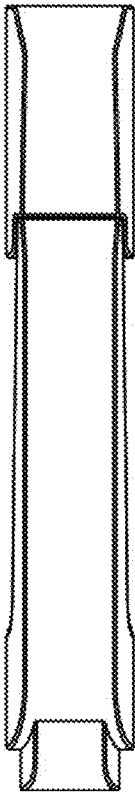


FIG. 5

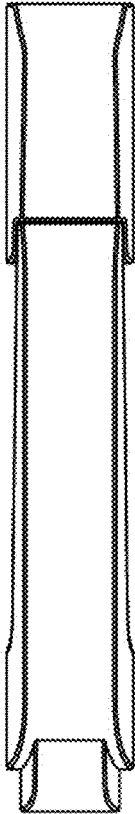


FIG. 6

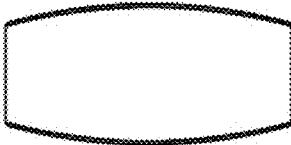


FIG. 7

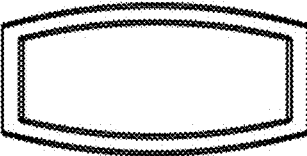


FIG. 8